

# PROAIR™

CLIMATE COMFORT IN MOTION

## HEPA-4 Air Filtration & Purification Unit

Introducing a new high capacity air cleansing unit. This new midrange **HEPA-4** purifying unit by ProAir will help clean the air to protect both driver and passengers. The **HEPA-4** when used in conjunction with surface cleaning and sanitizing, will help in eliminating harmful airborne particulates. The unit is easy to mount and ideal for all type of buses including school, commercial, paratransit, tour & city transits.

### ADVANCED FEATURES

- High Capacity, 3.56" Thick, True HEPA **MAX** Filter!
- **UV-C** Light Kit is Standard!
- Dual Fan Blower for Maximum Air Exchange
- Washable Pre-Filter to Protect the Long Life HEPA-4 Filter

### OPTIONS

- 12V or 24V



**VERSATILITY; Bulkhead Mounted!**

### SPECIFICATIONS

**AIRFLOW: 390 CFM**

**CURRENT DRAW: 22.2 AMPS @14.2 VDC.**

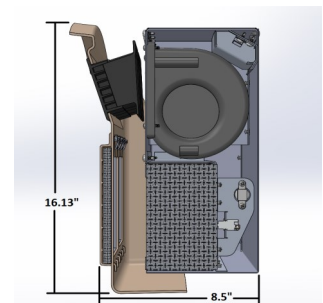
**FILTERS: Pre-Filter; MERV 4 Metal Mesh, Cleanable HEPA MAX Filter; 99.99% efficiency, 0.3 microns @100FPM**

**DIMENSIONS: 50.0" x 16.125" x 8.5" WEIGHT: 36 lbs.**

**PROUDLY MADE IN THE USA & PATENT PENDING**

**WARRANTY: Three Year Limited (See details)**

**CUTAWAY  
SIDE SECTION  
VIEW**



**ProAir LLC**

Haslet, TX Elkhart, IN  
Riverside, CA

[www.proairllc.com](http://www.proairllc.com)

**Contact your ProAir Sales  
Representative for more  
information.**

**717-347-4854 or 336-442-7789**

**RELY ON OUR EXPERIENCE TO PROPERLY APPLY YOUR HVAC & FILTRATION SYSTEMS**