

Rooftop air conditioner for shuttle and school buses



▶ Compact Cooler CC 145



Air conditioning

Compact, lightweight, innovative and – cool

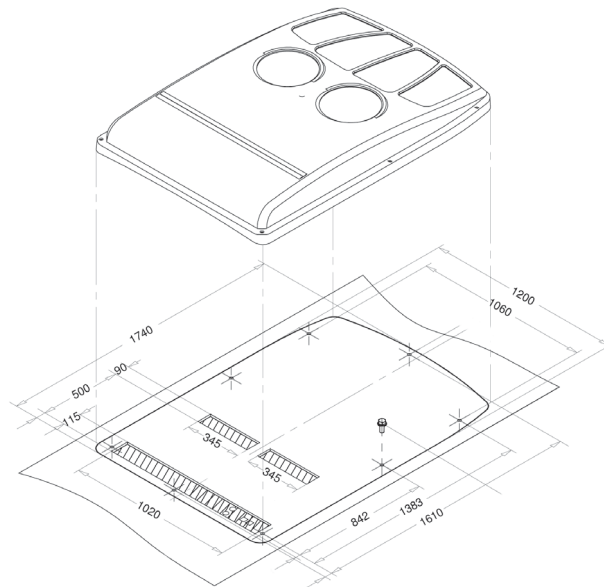
The modular CC 145 rooftop unit was specially designed for original equipment installation and aftermarket on shuttle and school buses.

It shines at the top of its class with strong performance, a maintenance-friendly design and impressively low life cycle costs.

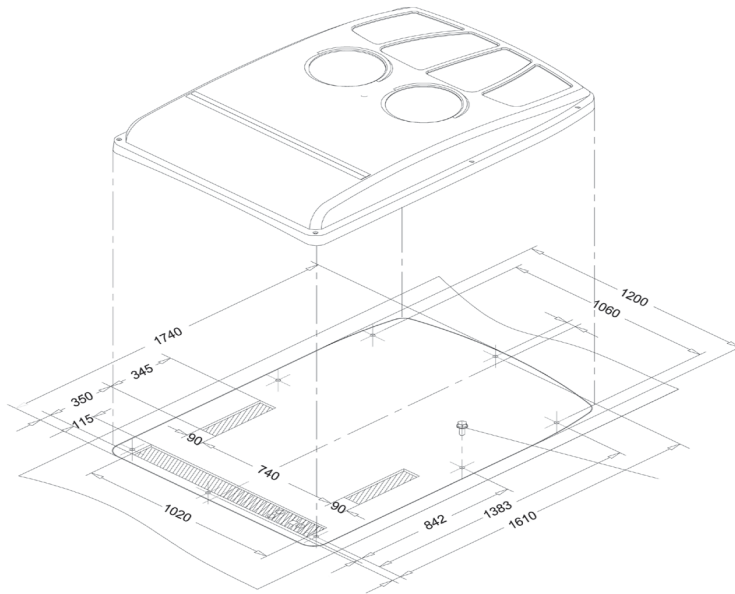
▶ Compact Cooler CC145

Product variants

1. Central air outlet



2. Lateral air outlet



Highlights:

- Low weight
- Simple and quick installation
- Suitable for original equipment and aftermarket installations
- Low maintenance, low operating costs over the product life cycle (LCC)
- Modern, compact and streamlined design
- Two alternative evaporator blower position – for central or lateral air ducts

Technical Data

Compressor Type	Cooling capacity Max* / IMACA. (BTU/H)	Nominal Voltage (V)	Airflow evaporator (free blowing) (CFM) / (m ³ /h)	Dimensions L x B x H (inch) / (mm)	Weight (lbs) / (kg)	Electric power consumption (A) 12V / 24V	Refrigerant
210cm ³ (TM21)	42,000 / 60,000	12 / 24	1,200 / 2,040	68,5 x 47 x 7,8 / 1,740 x 1,200 x 200	137 / 62	90 / 45	R 134 a
160cm ³ (TM16)	38,000 / 45,000	12 / 24	1,200 / 2,040	68,5 x 47 x 7,8 / 1,740 x 1,200 x 200	137 / 62	90 / 45	R 134 a

* At TA = 95°F; TEV_{in} = 104°F / 46% r.h.

Spheros Climate Systems, LLC.
 5536 Research Drive
 Canton, MI 48188 USA
 Phone 1-734-218-7350 Toll free 1-888-960-4849
 Fax 1-734-487-1569
 www.spheros.us

