

Bill of Materials Listing

TransArctic Canada Inc.

9/2/2011
Page 1 of 1

Product Number	Description	Date	Weight	Uof M	Yield
Line Component Prod#	Description	Bin Unit	Qty		
KMC65575	Mt Kit, ISB, C2, 2 TM-16, '07-'10		3/4/2008	30.00	0
10	BEL11397		Belt, A gr, 1397mm (55") (17550)	each	1
20	BMC67012		Bkt, Main, Weldmt, D-S, 6.7L, ISB, C2	each	1
25	BMS16021		Bkt, Tenr Arm, TM-16	each	1
27	BMS16022		Bkt, TM-16 Spacer Plate	each	2
30	PUL67001		Pulley, Crank, ADD-ON, Cum, ISB, 6.7, SA	each	1
40	PUL10094		Pulley, Idler, SA,94d x 18w,Blk (IP-103)	each	1
50	FSP59286		Spacer, Fan, Pulley, ISB, 28.6mm (1.13")	each	1
55	FSP61905		Spacer, Fan, Pulley, ISB, 19.05mm (.75")	each	1
60	SCD12710		Spacer, Col, Drl, 12.7mm x 25.4o x10.32i	each	1
70	SLV17040		Sleeve, Pulley, 16.9o x 14.29mm x 10.08i	each	1
80	TEN00002		Tenr, Spring, Un-Direct, 90d, 3/8 x 4.5"/3.5"	each	1
90	PNS04010		Pin, Spring, 1/4" d x 5/8" lg, ST, PLT	each	1
100	KBC65575		Bag Kit, Fasteners, KMC65575-62060	each	1

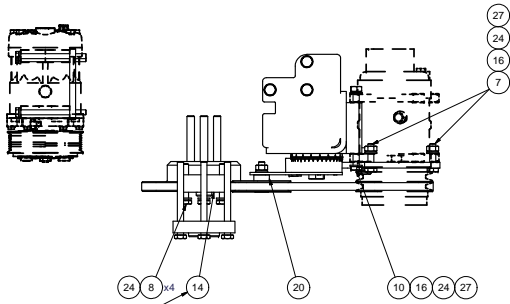
TEN00002 to be set-up as CW rotation @ 4.5" CTL base to CTL pulley.

Bill of Materials Listing

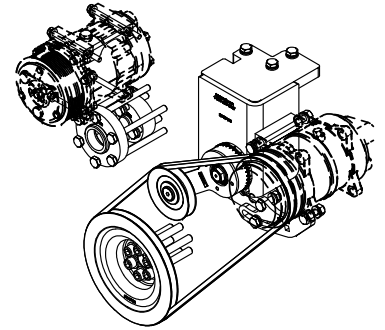
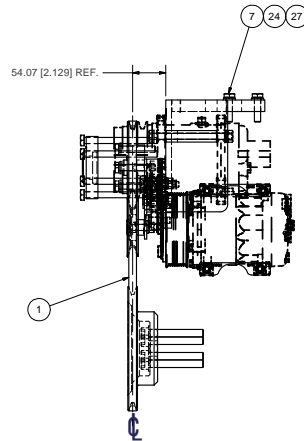
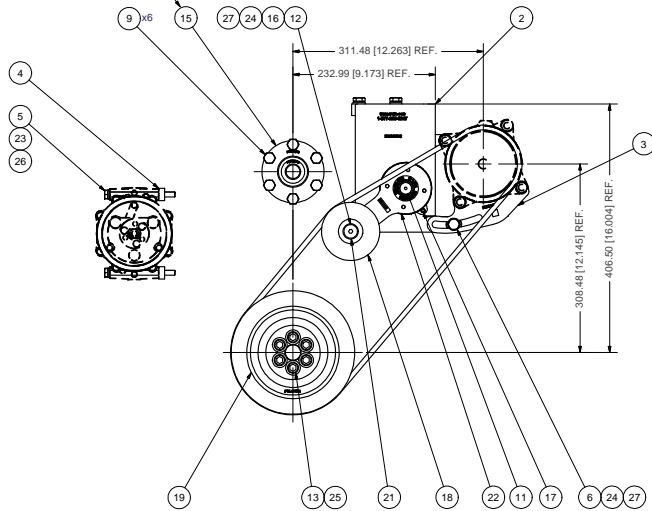
TransArctic Canada Inc.

9/2/2011
Page 1 of 1

Product Number		Description	Bin	Date	Weight	Uof M	Yield
Line	Component Prod#	Description		Unit	Qty		
KBC65575		Bag Kit, Fasteners, KMC65575-62060		4/16/2008	4.17		0
10	CSS12090	Capscrew, SH, 12 x 1.25 x 90mm, 12.9,BLK		each	6		
20	BTC10130	Bolt, Hex, 10 x 1.5 x 130mm, 10.9, Plt		each	1		
24	BTC10120	Bolt, Hex, 10 x 1.5 x 120mm, 10.9, Plt		each	6		
26	BTC08110	Bolt, Hex, 8 x 1.25 x 110mm, 10.9, Plt		each	4		
30	BTC10060	Bolt, Hex, 10 x 1.5 x 60mm, 10.9, Plt		each	4		
40	BTC10040	Bolt, Hex, 10 x 1.5 x 40mm, 10.9, Plt,FT		each	5		
50	BTC10035	Bolt, Hex, 10 x 1.5 x 35mm, 10.9, Plt,FT		each	1		
70	CSF10051	Capscrew, FH, 10 x 1.5 x 50mm, 10.9,Plt		each	1		
80	CSF06250	Capscrew, FH, 3/8-16 x 2.5", Alloy, Plt		each	1		
100	NTA10000	Nut, Hex, 10 x 1.5, 8.8, Plt		each	4		
110	WFS12002	Washer, Flat, Hdn, 12mm, Stl, BLK		each	6		
120	WFA10000	Washer, Flat, 10mm, 8.8, Plt		each	13		
130	WFA08000	Washer, Flat, 8mm, 8.8, Plt		each	4		
140	WLA10000	Washer, Lock, 10mm, 8.8, Plt		each	12		
150	WLA08000	Washer, Lock, 8mm, 8.8, Plt		each	4		



NOTE:
USE APPROPRIATE
SPACER AND FASTENER
AS REQUIRED PER
INSTALLATION.



ISOMETRIC VIEW

27	12	EACH	WLA10000	WASHER, LOCK, 10mm, 8.8, PLT
26	4	EACH	WLA08000	WASHER, LOCK, 8mm, 8.8, PLT
25	6	EACH	WFS12002	WASHER, FLAT, HDN, 12mm, STL, BLK
24	13	EACH	WFA10000	WASHER, FLAT, 10mm, 8.8, PLT
23	4	EACH	WFA08000	WASHER, FLAT, 8mm, 8.8, PLT
22	1	EACH	TEN00002	TENR, SPRING, UN-DIRECT, 90D, 3/8 X 3.5"
21	1	EACH	SLV17040	SLEEVE, PULLEY, 16.90 x 14.29mm x 10.08l
20	1	EACH	SCD12710	SPACER, COL, DR, 12.7mm x 25.40 x 10.32l
19	1	EACH	PUL67001	PULLEY, CRANK, ADD-ON, CUM, ISB, 6.7, SA
18	1	EACH	PUL10094	PULLEY, IDLER, SA 94D X 18W, BLK (IP-103)
17	1	EACH	PNS04010	PIN, SPRING, 1/4" D x 5/8" L
16	4	EACH	NTA10000	NUT, HEX, 10 x 1.5, 8.8, PLT
15	1	EACH	FSP61905	SPACER, FAN, PULLEY, ISB, 19.05mm (L 75")
14	1	EACH	FSP59286	SPACER, FAN, PULLEY, ISC, 28.6mm (L 113")
13	6	EACH	CSS12090	CAPSCREW, SH, 12 x 1.25 x 90mm, 12.9, PLT
12	1	EACH	CSF10051	CAPSCREW, FH, 10 x 1.5 x 50mm, 10.9, PLT
11	1	EACH	CSF06250	CAPSCREW, FH, 3/8-16 x 2.5", 9, PLT
10	1	EACH	BTC10130	BOLT, HEX, 10 x 1.5 x 130mm, 10.9, PLT
9	6	EACH	BTC10120	BOLT, HEX, 10 x 1.5 x 120mm, 10.9, PLT
8	4	EACH	BTC10060	BOLT, HEX, 10 x 1.5 x 60mm, 10.9, PLT
7	5	EACH	BTC10040	BOLT, HEX, 10 x 1.5 x 40mm, 10.9, PLT
6	1	EACH	BTC10035	BOLT, HEX, 10 x 1.5 x 35mm, 10.9, PLT
5	4	EACH	BTC08110	BOLT, HEX, 8 x 1.25 x 110mm, 10.9, PLT
4	2	EACH	BMS16022	BKT, TM-16, SPACER PLATE
3	1	EACH	BMS16021	BKT, TENR ARM, TM-16
2	1	EACH	BMC67012	BKT, MAIN, WELDMT, D-S, 6.7L ISB, C2
1	1	EACH	BEL11397	Bolt, A gr, 1397mm (55") (17550)
ITEM	QTY	U/M	PART NUMBER	DESCRIPTION

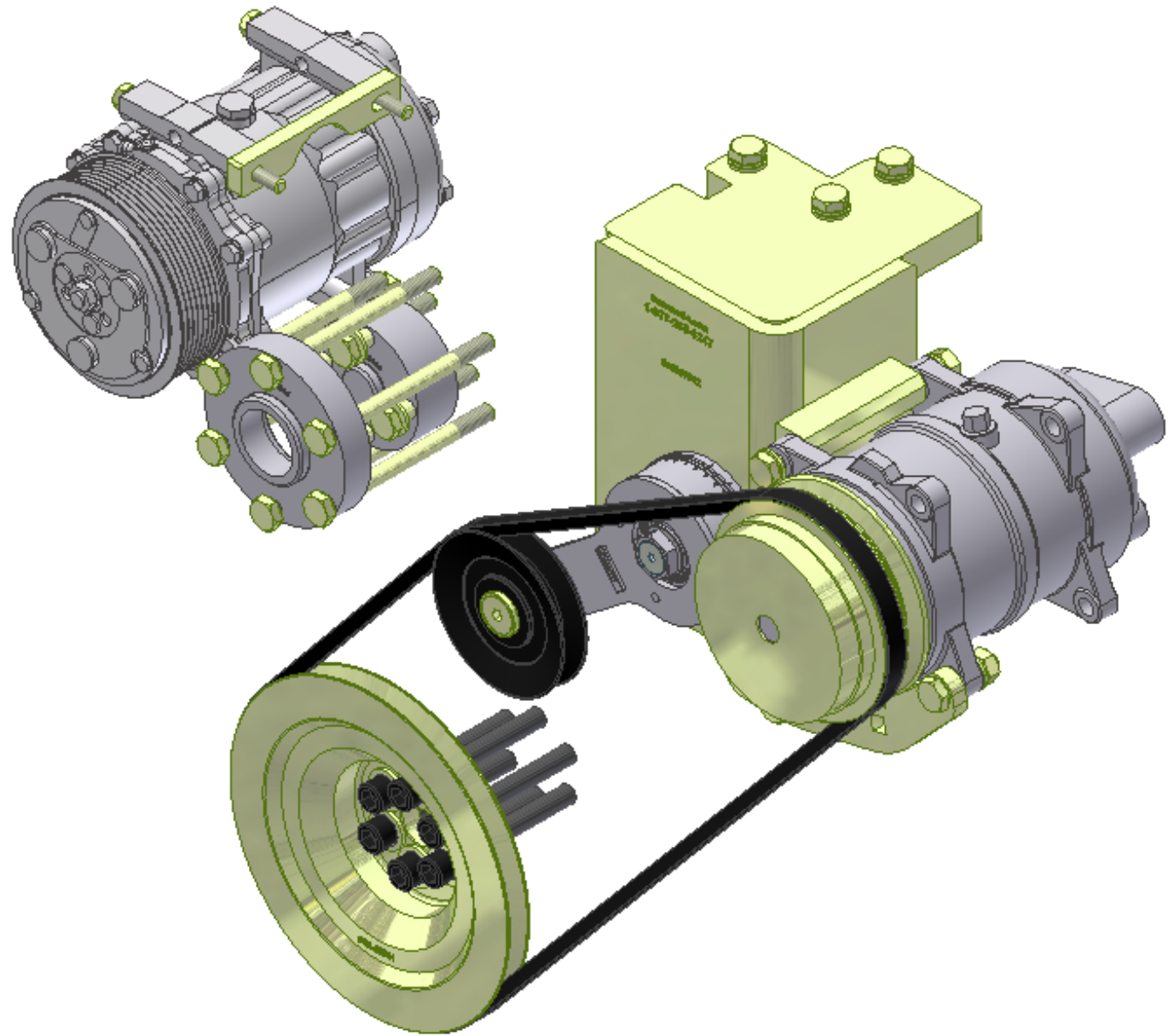
BILL OF MATERIALS
TRANSARGTIG INC.

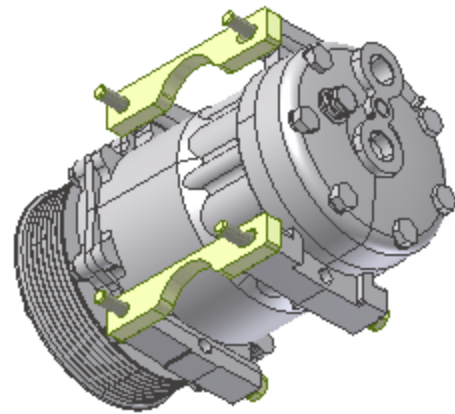
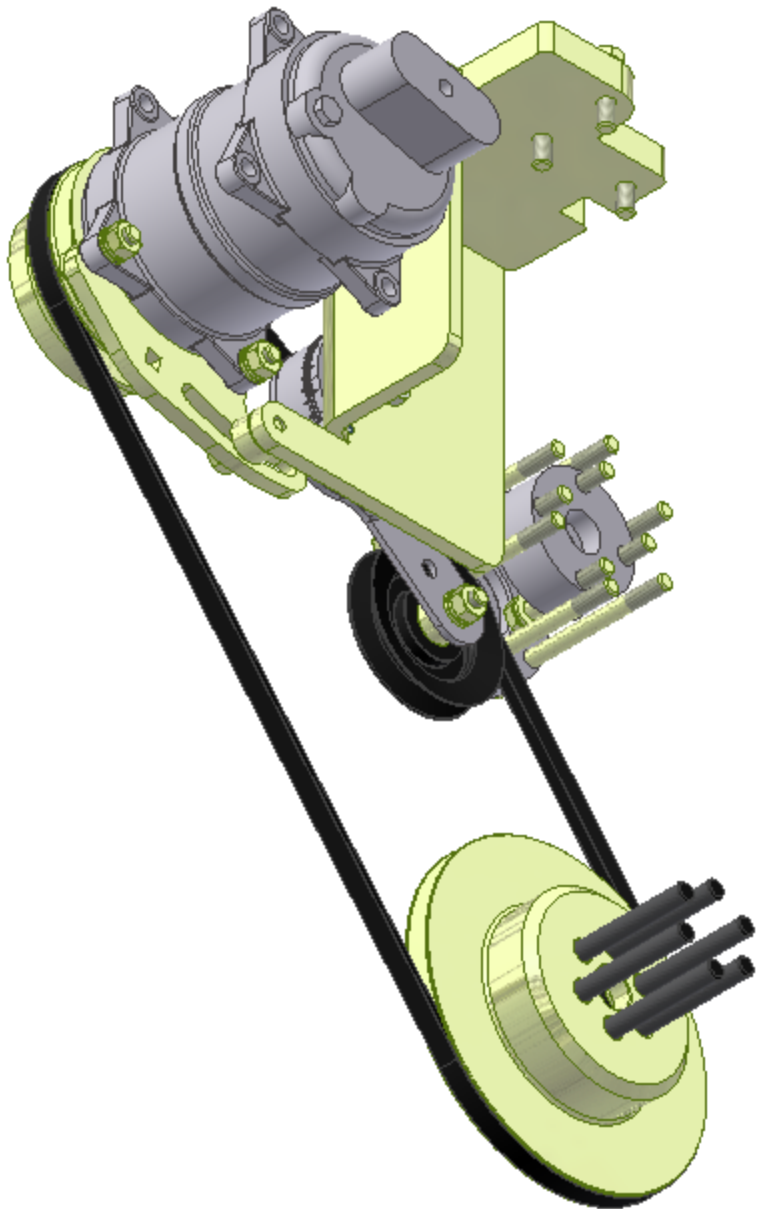
DRAWN	Jose Rodriguez	7/22/2008	
CHECKED	James Stewart	7/22/2008	
REV	DESCRIPTION	DATE	BY
1	CORRECTED INFO IN BOM+TB	8/22/2011	VAL
0	RELEASED TO PRODUCTION	7/22/2008	BR
1	James Stewart	7/22/2008	GA
2	James Stewart	7/22/2008	MFG
3	Ron Ingram	7/22/2008	APPROVED
4	Dale Mason	7/22/2008	

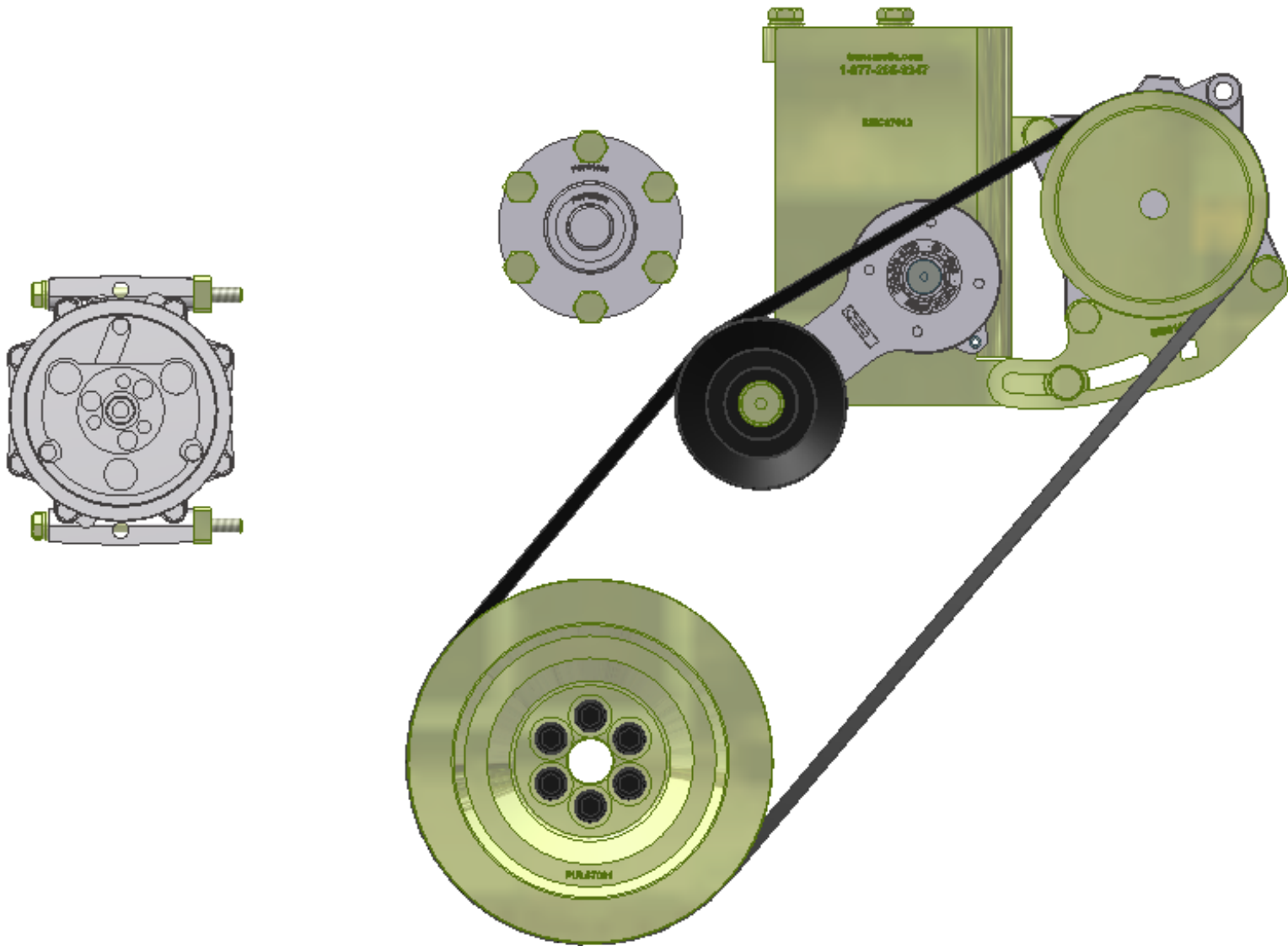
TITLE
Mt Kit, ISB, 6.7L, TH C2, 2 TM-16, '07-'10
SIZE
D
DWG NO
KMC65575
REV
1

NOTES:
1) USE SERVICABLE THREADLOCKER ON ALL FASTENERS TO ENGINE COMPONENTS AND TORQUE ALL BOLTS TO S.A.E. SPECIFICATIONS.
2) SEE 'TRANSARGTIG A/C COMPRESSOR MOUNT INSTALLATION DISCLAIMER'.

UNSPECIFIED TOLERANCES:	MM (INCH)
ONE DECIMAL PLACE (X.0) (X.1)	0.1 (0.004)
TWO DECIMAL PLACE (X.00) (X.01)	0.05 (0.002)
THREE DECIMAL PLACE (X.000) (X.001)	0.025 (0.001)
FRACTIONAL (1/16) (1/32)	ANGULAR ± .25°
THIRD ANGLE PROJECTION	
DRAWING UNIT OF MEASURE	MM (INCH)
SCALE	1:4
SHEET	1 OF 1







TransArctic A/C Compressor Mount Installation Disclaimer

All compressor mounts should be installed by qualified and trained personnel using proper tools and equipment in safe working conditions following industry standard guidelines for motor vehicle service and repair.

The installer of any compressor mount purchased from TransArctic must undertake all responsibility of issues arising from that compressor bracket being installed on any vehicle. As well as insure that a **proper and sufficient ground** is established between the compressors' clutches and the vehicle's engine. Mount functionality, operation and durability can all be compromised by an incompetent installation.

Due to the many different situations, parameters and application criteria, which are beyond the compressor mount manufacturer's control, TransArctic does not warrant design, durability, or operational functionality of any compressor mount improperly installed by another party.

With no implied guarantees it is the mount installer's strict responsibility to determine safety and functionality, of the compressor mount, at the time of installation.

Please contact TransArctic with any issue arising from installation so we may better improve the product. If you have any reservations about the compressor mount integrity contact TransArctic immediately at 1-877-COLD-AIR.

Mark OEM tensioner location

Install Kit

Check for Interferences

Check to ensure that the proper OEM tensioner orientation is maintained

Run engine with A/C system engaged for at least 10 minutes to run in belt

Check OEM tensioner orientation and adjust as required

Responsabilidad limitada de TransArctic en la instalación del soporte del compresor

Todos los soportes de los compresores deben ser instalados por personas calificadas y entrenadas, usando para ello los equipos y herramientas necesarios para esta labor en buenas condiciones y según las normas y guías para el servicio y/o reparación de motores de vehículos.

El instalador de los soportes comprados en TransArctic asume toda la responsabilidad de cualquier problema que surja en el soporte del compresor al vehículo; de igual manera es responsable que el cable a tierra sea conectado entre el embrague del compresor y el motor del vehículo.

Se advierte que el buen funcionamiento y la durabilidad del soporte pueden ser comprometidos por defectos en su instalación.

Debido a las diversas situaciones que se puedan presentar fuera del control del fabricante, TransArctic no garantiza el diseño, la durabilidad o el correcto funcionamiento de cualquier equipo inapropiadamente instalado por terceros.

Esta sobreentendido que el Instalador del montaje del compresor es estrictamente responsable de la seguridad y funcionamiento del equipo en el momento de la instalación.

Si tuviera algún problema o duda acerca de la instalación del soporte del compresor pongase en contacto inmediatamente con TransArctic al teléfono 1-877-COLD-AIR de modo que podamos mejorar nuestro producto.

Note la ubicación del medidor de tensión OEM

Instale el equipo

Controlar si hay interferencias.

Asegurese que el medidor de tensión mantenga la orientación justa.

Encienda el motor por lo menos 10 minutos con el sistema A/C enganchado para que la correa corra

Controle la orientación justa del medidor de tensión y ajuste a las condiciones requeridas del fabricante