

Bill of Materials Listing

TransArctic Canada Inc.

3/3/2009
Page 1 of 1

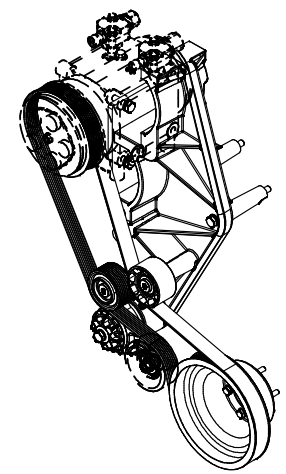
Product Number	Description	Date	Weight	Uof M	Yield
Line Component Prod#	Description	Bin Unit	Qty		
KMG81970	Mt Kit, GMC 8.1L LPG, BBCV, TM-31, '08		8/12/2008	33.13	0
10	BMG81000		Bkt, Main, 8.1L GM, 2008	each	1
20	BMG81001		Bkt, Cradle, TM-31, GM, LPG	each	1
30	PUL81003		Pulley, Crank, Add-on, GM, 8.1L, P8	each	1
40	BEL81684		Belt, 8gr, 1684mm (66.3") (5080663)	each	1
50	PUL81074		Pulley, Idler, Frontside, P8,74d (89103)	each	1
60	PUL80076		Pulley, Idler, Backside, P8, 76d (89062)	each	1
70	TEN80005		Tenr, HD Spring, BackSide, CCW (89430)	each	1
80	KBG81970		Bag Kit, Fasteners, KMG81970/1	each	1

Bill of Materials Listing

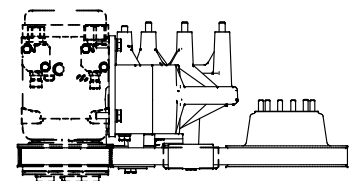
TransArctic Canada Inc.

3/10/2009
Page 1 of 1

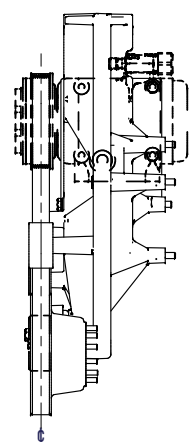
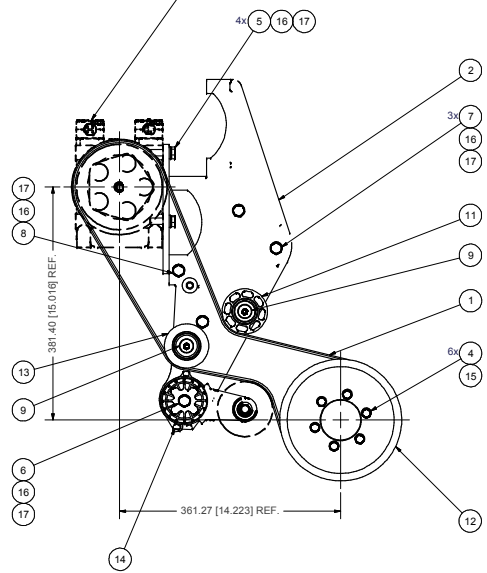
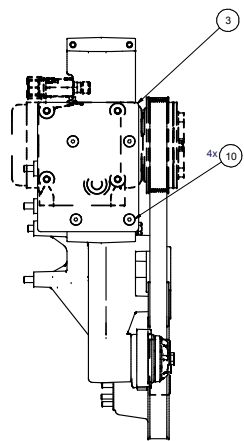
Product Number	Description	Date	Weight	Uof M	Yield
Line Component Prod#	Description	Bin Unit	Qty		
KBG81970	Bag Kit, Fasteners, KMG81970/1		8/20/2008	1.38	0
10	BTC10035		Bolt, Hex, 10 x 1.5 x 35mm, 10.9, Plt,FT	each	4
20	CSF08031		Capscrew, FH, 8 x 1.25 x 30mm, 10.9,Plt	each	4
30	BTC10130		Bolt, Hex, 10 x 1.5 x 130mm, 10.9, Plt	each	3
40	BTC10180		Bolt, Hex, 10 x 1.5 x 180mm, 10.9, Plt	each	1
50	BTS10001		Bolt, Shoulder, 10mm (89064)	each	2
60	WFA10000		Washer, Flat, 10mm, 8.8, Plt	each	9
70	WLA10000		Washer, Lock, 10mm, 8.8, Plt	each	9
80	BTC10090		Bolt, Hex, 10 x 1.5 x 90mm, 10.9, Plt	each	1
90	BTC08030		Bolt, Hex, 8 x 1.25 x 30mm, 10.9, Plt,FT	each	6
100	WFA08000		Washer, Flat, 8mm, 8.8, Plt	each	6



ISOMETRIC VIEW



NOTE:
CARRIER COMPRESSOR
PART# 76-62005-xx

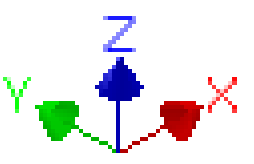


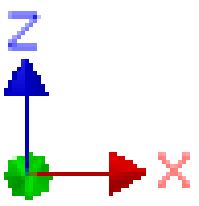
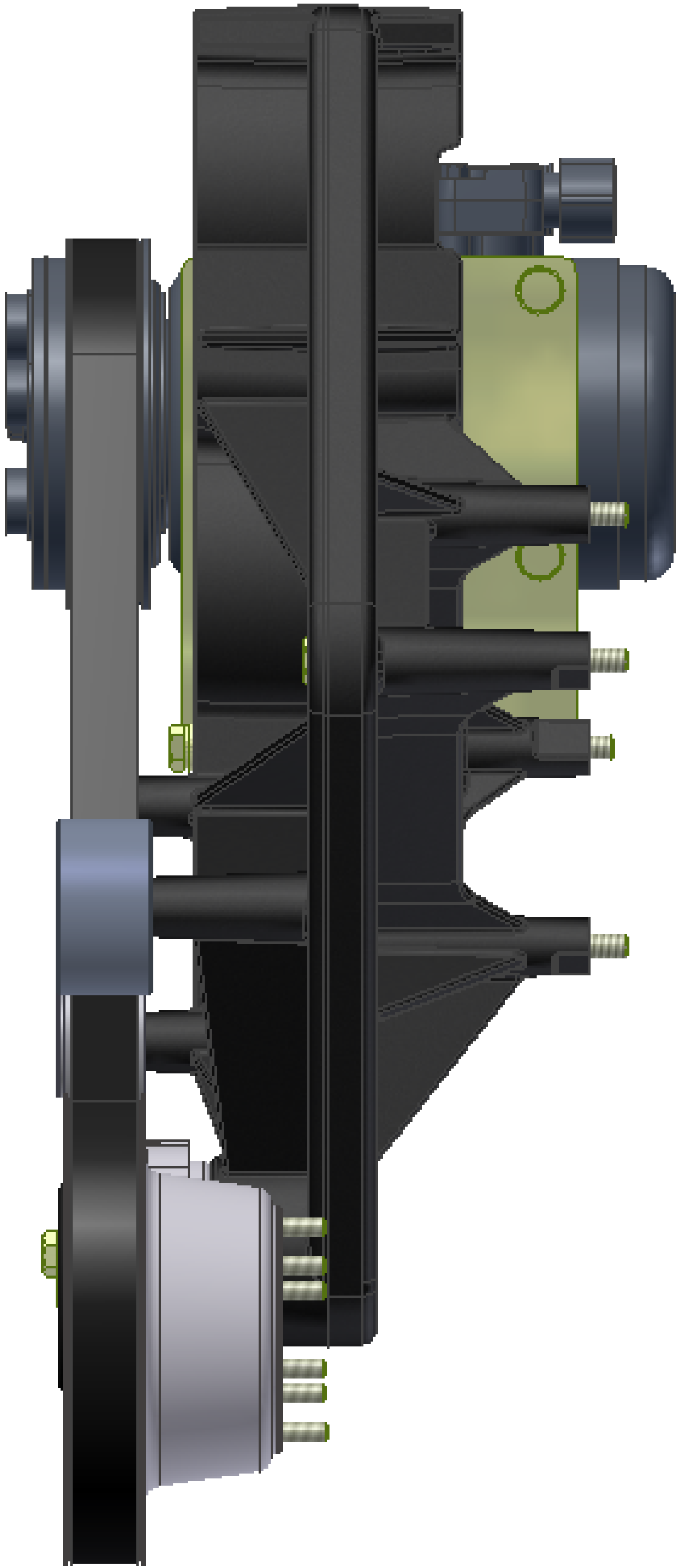
NOTES:
1) USE SERVICABLE THREADLOCKER ON ALL FASTENERS TO ENGINE COMPONENTS AND TORQUE ALL BOLTS TO S.A.E. SPECIFICATIONS.
2) SEE "TRANSARGTIC A/C COMPRESSOR MOUNT INSTALLATION DISCLAIMER".

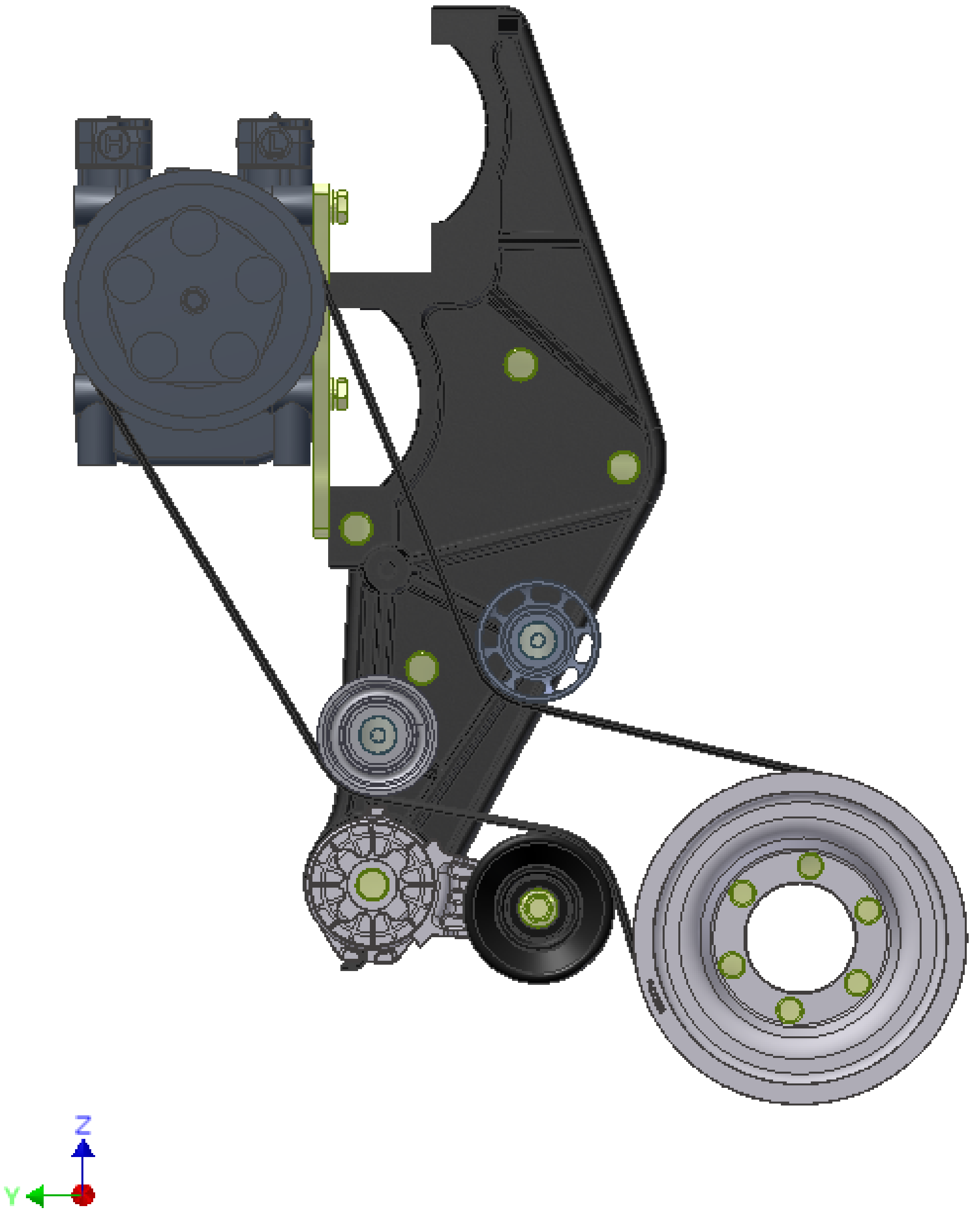
ITEM	QTY	U/M	PART NUMBER	DESCRIPTION
17	9	EACH	WLA10000	WASHER, LOCK, 10mm, 8.8, PLT
16	9	EACH	WFA10000	WASHER, FLAT, 10mm, 8.8, PLT
15	6	EACH	WFA08000	WASHER, FLAT, 8mm, 8.8, PLT
14	1	EACH	TEN80005	TENR, HD SPRING, BACKSIDE, CCW (89430)
13	1	EACH	PUL81074	PULLEY, IDLER, FRONTSIDE, P8, 74d x 39w
12	1	EACH	PUL81003	PULLEY, CRANK, ADD-ON, GM, 8.1L, P8
11	1	EACH	PUL80076	PULLEY, IDLER, BACKSIDE, P8, 76D, 39W
10	4	EACH	CSF08031	CAPSCREW, FH, 8 x 1.25 x 30mm, 10.9, PLT
9	2	EACH	BTS10001	BOLT, SHOULDER, 10mm (IDLER PULLEY)
8	1	EACH	BTC10180	BOLT, HEX, 10 x 1.5 x 180mm, 10.9, PLT
7	3	EACH	BTC10130	BOLT, HEX, 10 x 1.5 x 130mm, 10.9, PLT
6	1	EACH	BTC10090	BOLT, HEX, 10 x 1.5 x 90mm, 10.9, PLT
5	4	EACH	BTC10035	BOLT, HEX, 10 x 1.5 x 35mm, 10.9, PLT
4	6	EACH	BTC08030	BOLT, HEX, 8 x 1.25 x 30mm, 10.9, PLT
3	1	EACH	BMG81001	BKT, CRADLE, TM-31, GM, LPG
2	1	EACH	BMG81000	BKT, MAIN, 8.1L GM, 2008
1	1	EACH	BEL81684	BELT, BGR, 1684mm (66.3") (5080663)

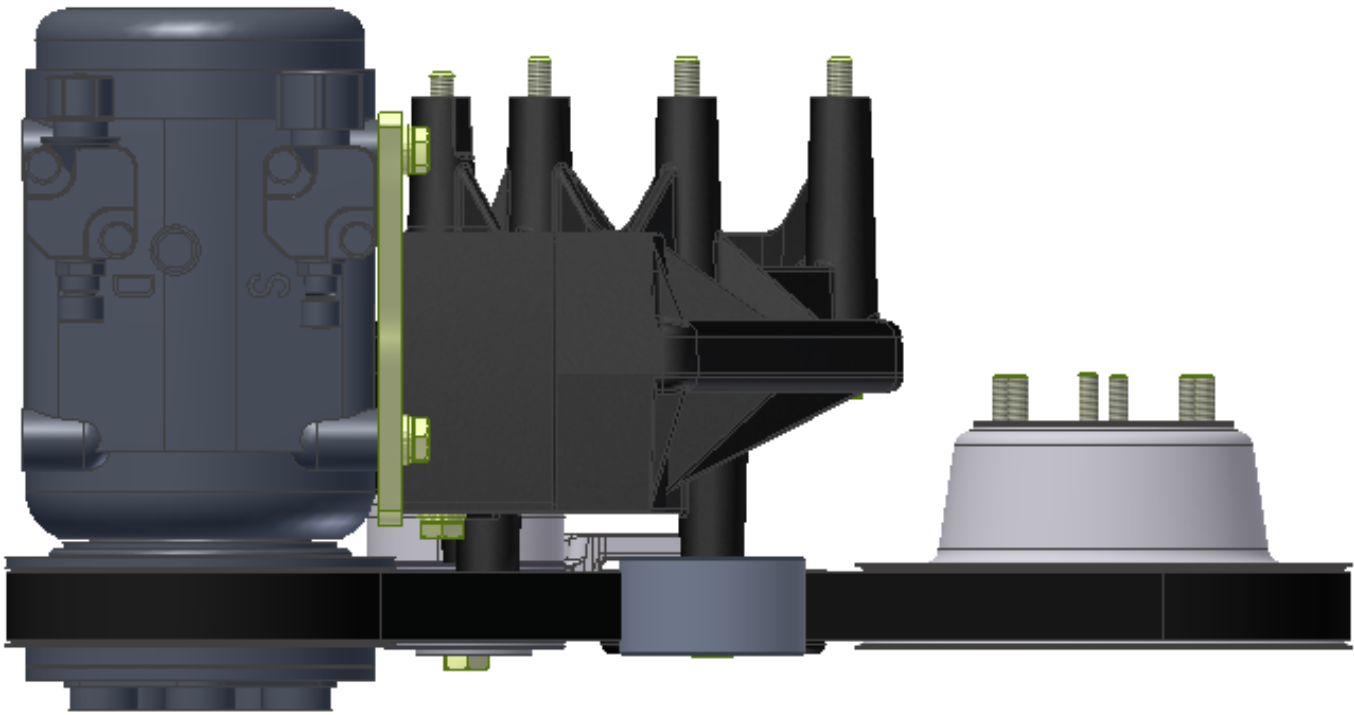
BILL OF MATERIALS
TRANSARGTIC INC.

RELEASED TO PRODUCTION	11/19/2008	BY: James Stewart	TITLE
REV: ECN	DESCRIPTION:	DATE:	BY:
	WFG	11/19/2008	James Stewart
	WFG	11/19/2008	Ron Ingram
	APPROVED	11/19/2008	Dale Mason
UNSPECIFIED TOLERANCES:		(ALL DIM)	SIZE
ONE DECIMAL PLACE (10)		AS SHOWN	DWG NO
THIRD ANGLE PROJECTION		AS SHOWN	KMG81970
FRACTIONAL: 1/32		AS SHOWN	REV
		AS SHOWN	0
DRAWING UNIT OF MEASURE		MM (INCH)	SCALE
		1:4	SHEET 1 OF 1









TransArctic A/C Compressor Mount Installation Disclaimer

All compressor mounts should be installed by qualified and trained personnel using proper tools and equipment in safe working conditions following industry standard guidelines for motor vehicle service and repair.

The installer of any compressor mount purchased from TransArctic must undertake all responsibility of issues arising from that compressor bracket being installed on any vehicle. As well as insure that a **proper and sufficient ground** is established between the compressors' clutches and the vehicle's engine. Mount functionality, operation and durability can all be compromised by an incompetent installation.

Due to the many different situations, parameters and application criteria, which are beyond the compressor mount manufacturer's control, TransArctic does not warrant design, durability, or operational functionality of any compressor mount improperly installed by another party.

With no implied guarantees it is the mount installer's strict responsibility to determine safety and functionality, of the compressor mount, at the time of installation.

Please contact TransArctic with any issue arising from installation so we may better improve the product. If you have any reservations about the compressor mount integrity contact TransArctic immediately at 1-877-COLD-AIR.