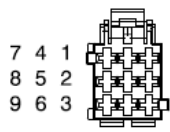
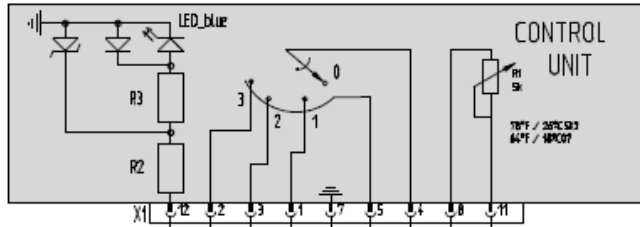
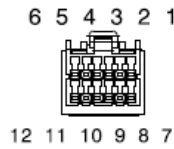


**Relay Board X1 Connector  
(Pin Side)**

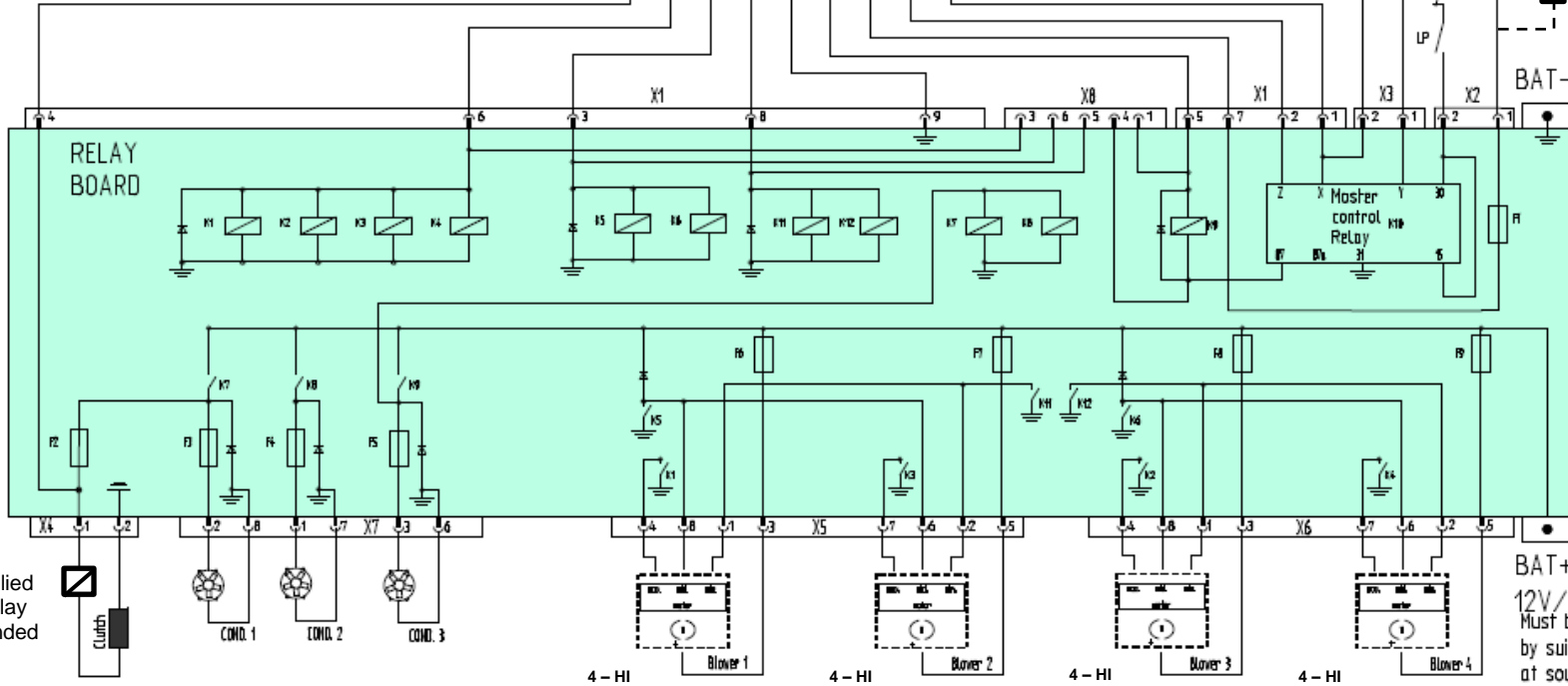


**Control Panel  
Male Connector**



D+ = Alternator  
15 = Ignition  
30 = Battery  
room temp. sensor  
D+ D+/15/30

Optional Noise Suppression Switch



Field Supplied Clutch Relay Recommended

BAT+  
12V/24V  
Must be protected by suitable fuse at source

**noting connectors**

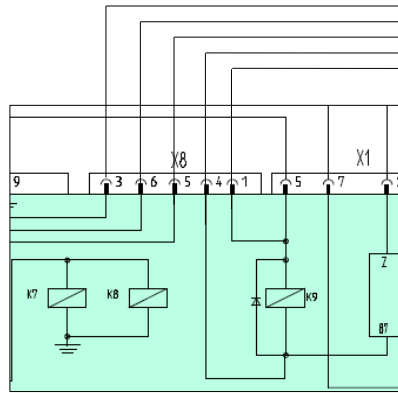
X1 ( 9 pol ) Tyco 1-967621-→  
X2 Tyco 180907 series  
X4 Tyco 180908 series  
X5 - X7 G+H 8 pol  
LEAR DPK 1 + DFK 2 series (old No: 16184 1  
Pueplichhulsen-No: 70148645626210  
X8 ( 6 pol ) PT ) Tyco 1-965640-→

Signal Availability			X2 pin 1 input connected to		
D+ (Clamp 61)	Ignition stage 1 (Clamp 15)	Battery + (Clamp 30)	D+ (Clamp 61)	Ignition stage 1 (Clamp 15)	Battery + (Clamp 30)
OFF	OFF	ON	no function	no function	no AC only ventilation
OFF	ON	ON	no function	no AC only ventilation	no AC only ventilation
ON	ON	ON	AC	AC	AC

FUSE	12V	24V
F1	5A	5A
F2	10A	10A
F3, F4	25A	15A

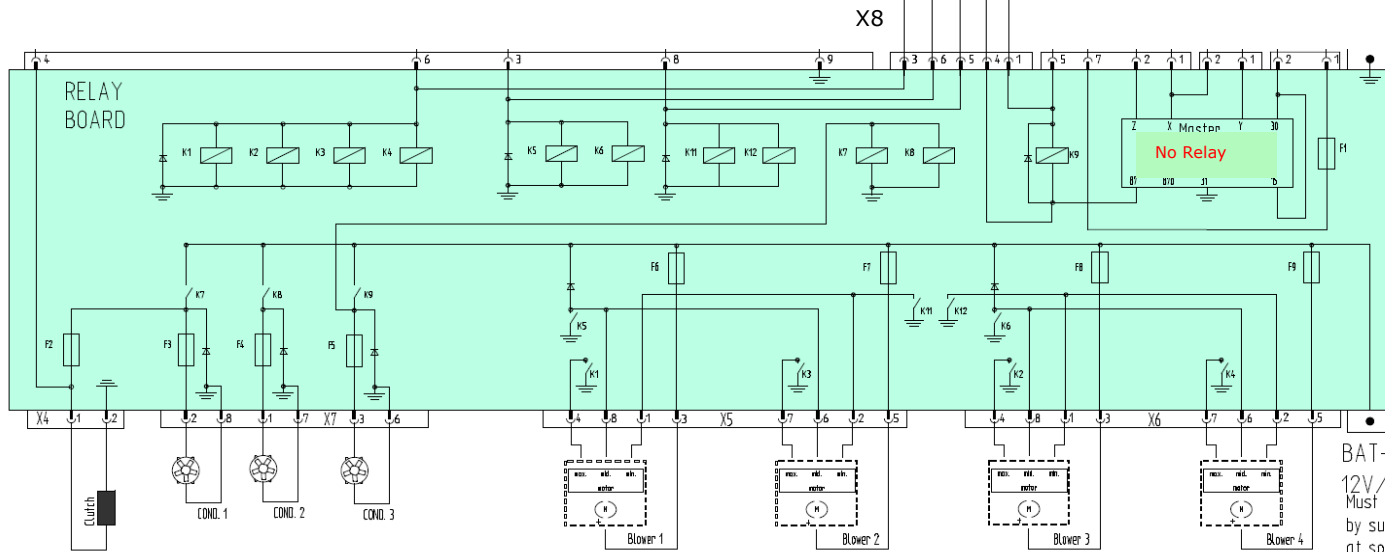
PART NAME  
**RELAY CONTROL PANEL 1117844A AND MANUAL DASH CONTROLLER 11116024A SCHEMATIC**

DATE	2/19/13	SCALE	DOC. NO.	PART NO
NAME	Jim W	FREE		
DRAW	CHECK	APP	VOLTAGE	<b>2000006A</b>
			12V	
REPLACED BY PART NO.			REPLACEMENT FOR PART NO.	PAGE
				1 / 2



“Master”- Relay board

Field Supplied Wiring from  
Master X8 Terminals to  
Slave X8 Terminals



“Slave”- Relay board  
Kit Part #550356A

PART NAME							
RELAY CONTROL PANEL 1117844A AND MANUAL DASH CONTROLLER 11116024A							
SCHEMATIC							
WITH SLAVE RELAY BOARD FOR SINGLE CONTROL DUAL LOOP SYSTEM							
DATE	2/19/13			SCALE	DOC. NO.	PART NO	
NAME	Jim W			FREE			
	DRAW	CHECK	APP	VOLTAGE		2000006A	
				12V			
				REPLACED BY PART NO.	REPLACEMENT FOR PART NO.		