

Bill of Materials Listing

TransArctic Canada Inc.

10/3/2005

Page 1 of 1

| Product Number | | Description | Bin | Date | Weight | Uof M | Yield |
|-----------------|-----------------|--|-----|------------------|-------------|-------|----------|
| Line | Component Prod# | Description | | Unit | Qty | | |
| KMK71371 | | Mt Kit, C7, TH FS65, 1 TM-21, P8, OEM | | 4/27/2004 | 5.60 | | 0 |
| 10 | BEL81842 | Belt, 8gr, 1842mm (72.5") (5080725) | | each | 1 | | |
| 20 | BMK70033 | Bkt, Lower, Main, Bar, FS65, C7, OEM loc | | each | 1 | | |
| 30 | BMK70034 | Bkt, Top, Frt, Cradle, FS65, C7, OEM loc | | each | 1 | | |
| 40 | BMK70032 | Bkt, Space, Pl, Framerrail, C7, P8 | | each | 1 | | |
| 50 | KBK71371 | Bag Kit, Fasteners, KMK71371 | | each | 1 | | |

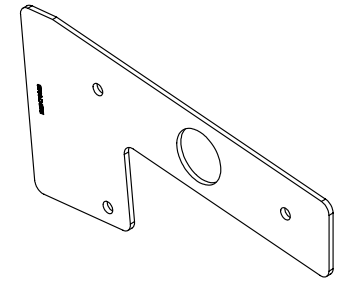
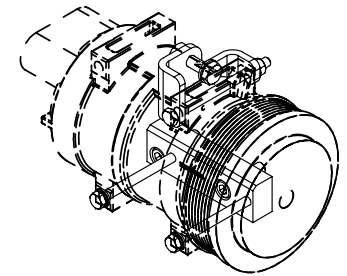
Bill of Materials Listing

TransArctic Canada Inc.

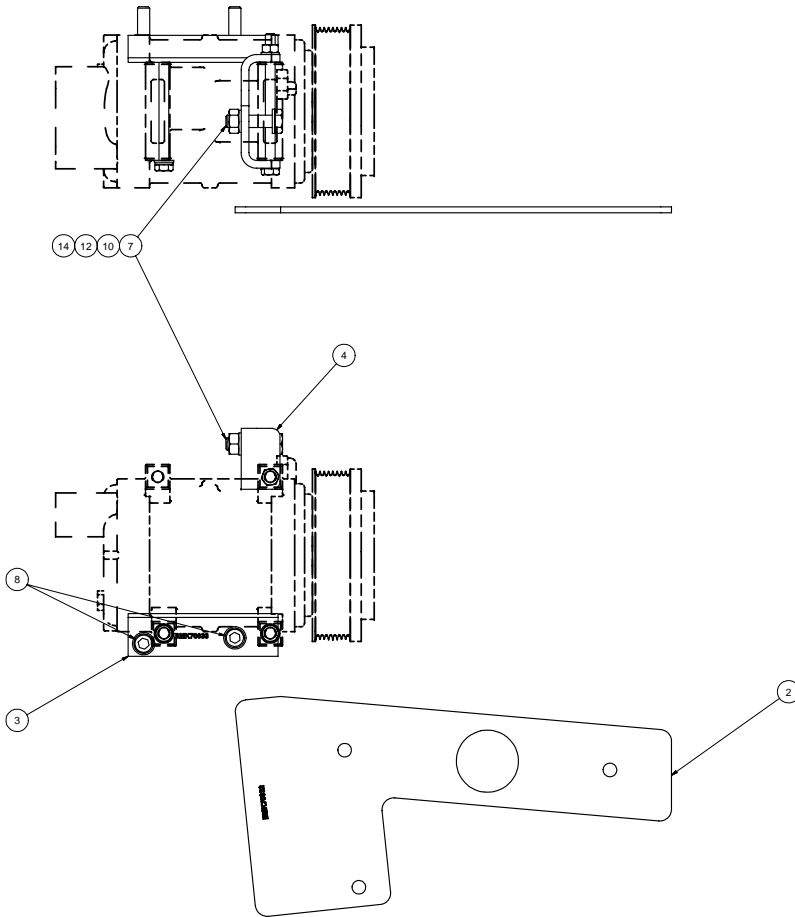
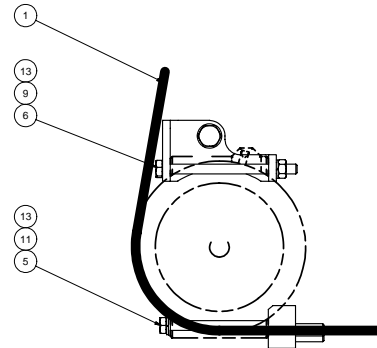
10/3/2005

Page 1 of 1

| Product Number | | Description | Bin | Date | Weight | Uof M | Yield |
|-----------------|-----------------|---|-----|------------------|-------------|-------|----------|
| Line | Component Prod# | Description | | Unit | Qty | | |
| KBK71371 | | Bag Kit, Fasteners, KMK71371 | | 4/27/2004 | 0.53 | | 0 |
| 10 | BTC10040 | Bolt, Hex, 10 x 1.5 x 40mm, 10.9, Plt | | each | 1 | | |
| 15 | BTC08110 | Bolt, Hex, 8 x 1.25 x 110mm, 10.9, Plt | | each | 1 | | |
| 20 | BTC08100 | Bolt, Hex, 8 x 1.25 x 100mm, 10.9, Plt | | each | 2 | | |
| 30 | CSS10035 | Capscrew, SH, 10 x 1.5 x 35mm, 12.9,Plt | | each | 2 | | |
| 40 | NTA10000 | Nut, Hex, 10 x 1.5, 8.8, Plt | | each | 1 | | |
| 50 | NTA08000 | Nut, Hex, 8 x 1.25, 8.8, Plt | | each | 1 | | |
| 60 | WFA10000 | Washer, Flat, 10mm, 8.8, Plt | | each | 1 | | |
| 70 | WFA08000 | Washer, Flat, 8mm, 8.8, Plt | | each | 2 | | |
| 80 | WLA10000 | Washer, Lock, 10mm, 8.8, Plt | | each | 1 | | |
| 90 | WLA08000 | Washer, Lock, 8mm, 8.8, Plt | | each | 3 | | |



ISOMETRIC VIEW



NOTES:

- 1) USE SERVICABLE THREADLOCKER ON ALL FASTENERS TO ENGINE COMPONENTS AND TORQUE **ALL** BOLTS TO S.A.E. SPECIFICATIONS.
- 2) SEE "TRANSARCTIC A/C COMPRESSOR MOUNT INSTALLATION DISCLAIMER".

| ITEM | QTY | UM | PART NUMBER | DESCRIPTION |
|------|-----|------|-------------|---|
| 14 | 1 | EACH | WLA10000 | WASHER, LOCK, 10mm, 8.8, PLT |
| 13 | 3 | EACH | WLA08000 | WASHER, LOCK, 8mm, 8.8, PLT |
| 12 | 1 | EACH | WFA10000 | WASHER, FLAT, 10mm, 8.8, PLT |
| 11 | 2 | EACH | WFA08000 | WASHER, FLAT, 8mm, 8.8, PLT |
| 10 | 1 | EACH | NTA10000 | NUT, HEX, 10 x 1.5, 8.8, PLT |
| 9 | 1 | EACH | NTA08000 | NUT, HEX, 8 x 1.25, 8.8, PLT |
| 8 | 2 | EACH | CSS10035 | CAPSCREW, SH, 10 x 1.25 x 35mm, 12.9, PLT |
| 7 | 1 | EACH | BTC10040 | BOLT, HEX, 10 x 1.5 x 40mm, 10.9, PLT |
| 6 | 1 | EACH | BTC08110 | BOLT, HEX, 8 x 1.25 x 110mm, 10.9, PLT |
| 5 | 2 | EACH | BTC08100 | BOLT, HEX, 8 x 1.25 x 100mm, 10.9, PLT |
| 4 | 1 | EACH | BMK70034 | BKT, TOP, FRT, CRADLE, FS65, C7, OEM LOC |
| 3 | 1 | EACH | BMK70033 | BKT, LOWER, MAIN, BAR, FS65, C7, OEM LOC |
| 2 | 1 | EACH | BMK70032 | BKT, SPACER, PL, FRAMERAIL, C7, P8 |
| 1 | 1 | EACH | BEL81842 | BELT, 8 gr, 1842mm (72.5") (5080725) |

BILL OF MATERIALS

| | | |
|----------|---------------|-----------|
| DRAWN | vjakowlew | 9/27/2005 |
| CHECKED | Ron Ingram | 9/27/2005 |
| REVIEWED | James Stewart | 9/27/2005 |
| APPROVED | Val Jakowlew | 9/27/2005 |
| | Dale Mason | 9/27/2005 |

| | |
|-------------------------|---------------------------------------|
| TRANSARCTIC INC. | |
| TITLE | MT KIT, C7, TH FS65, 1 TM-21, P8, OEM |
| SIZE | D |
| DWG NO | KMK71371 |
| REV | 0 |

| | |
|---------------------------------|-------------|
| UNSPECIFIED TOLERANCES: | MM (INCH) |
| DWG DECIMAL PLACE (X) | 0.00 (0.00) |
| MANUFACTURING DECIMAL PLACE (X) | 0.00 (0.00) |
| FRAC DECIMAL PLACE (X) | 0.00 (0.00) |
| ANGULAR | ± .01 |



DRAWING UNIT OF MEASURE: MM (INCH)

SCALE: 1:2 SHEET 1 OF 1

