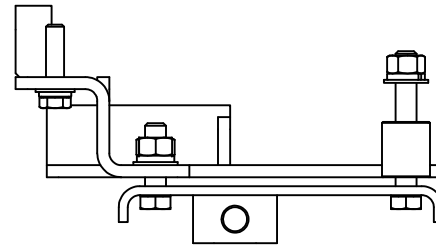
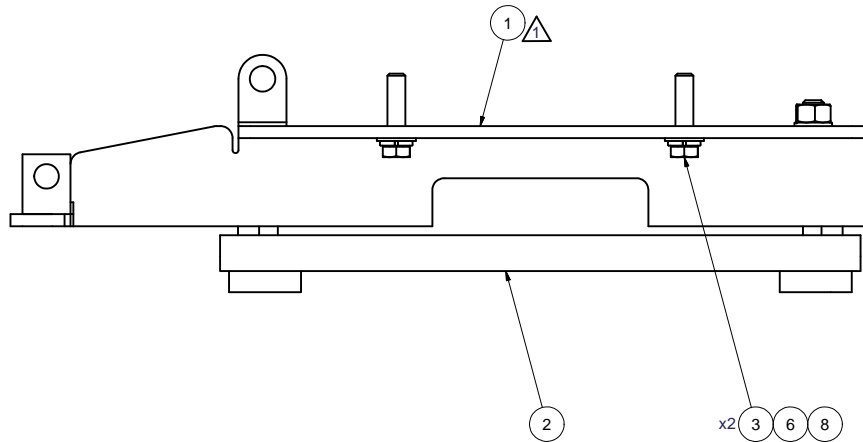


ISOMETRIC VIEW



ITEM	QTY	U/M	PART NUMBER	DESCRIPTION
9	4	EACH	WLQ07000	WASHER, LOCK, 7/16", 8, PLT
8	2	EACH	WLQ06000	WASHER, LOCK, 3/8", 8, PLT
7	4	EACH	WFN07000	WASHER, FLAT, 7/16", 2, PLT
6	2	EACH	WFN06000	WASHER, FLAT, 3/8", 2, PLT
5	1	EACH	SCD29213	SPACER, COL, DRL, 29.21mm x 25.4o x 12.7i
4	4	EACH	NTP07000	NUT, HEX, 7/16-14UNC, 5, PLT
3	2	EACH	BTQ06150	BOLT, HEX, 3/8-16UNC, 1.50", 8, PLT
2	1	EACH	BMN80010	BKT, MAIN, SLIDE, ASSY, IC, RE300
1	1	EACH	BMC83111	BKT, WELDM'T, ALT EXTENSION, T3RE, '13

BILL OF MATERIALS

DRAWN	jrodriguez	9/25/2013
CHECKED	Val Jakowlew	9/25/2013
APPROVED	Dale Mason	9/25/2013
MFG	Ron Ingram	9/25/2013



TITLE	KIT, PLATFORM, O5G W/ ALT, '13		
SIZE	C	DWG NO	KBT84164
SCALE	1:2	SHEET	1 OF 1
REV	1		

1	REVISED BMC83111.	1/19/2015	JRR
0	RELEASED TO PRODUCTION.	9/25/2013	JRR
REV/ECN:	DESCRIPTION:	DATE:	BY:
THIS DRAWING CONTAINS PROPRIETARY CONFIDENTIAL INFORMATION OWNED BY TRANSARCTIC CANADA INC. THE DOCUMENT AND THE INFORMATION IN IT ARE NOT TO BE USED, DISCLOSED OR REPRODUCED WITHOUT EXPRESS WRITTEN PERMISSION OF THE COMPANY.			
UNSPECIFIED TOLERANCES: [ALT. DIM.]		THIRD ANGLE PROJECTION	
ONE DECIMAL PLACE (.X)	.50 [0.020]		
TWO DECIMAL PLACE (.XX)	.25 [0.010]		
THREE DECIMAL PLACE (.XXX)	.10 [0.005]		
FRACTIONAL +/- 1/32"	ANGULAR +/- .50°	DRAWING UNIT OF MEASURE: MM [INCH]	

- NOTES:
- USE SERVICABLE THREADLOCKER ON ALL FASTENERS TO ENGINE COMPONENTS AND TORQUE **ALL** BOLTS TO S.A.E. SPECIFICATIONS.
 - SEE "TRANSARCTIC A/C COMPRESSOR MOUNT INSTALLATION DISCLAIMER".
 - WEIGHT: 16.18 LBS.