

Bill of Materials Listing

TransArctic Canada Inc.

3/26/2007

Page 1 of 1

Product Number		Description	Bin	Date	Weight	Uof M	Yield
Line	Component Prod#	Description		Unit	Qty		
KMJ82660		Mt Kit, JD 8.1L CNG, BBRE, 2 TM-21,'07		1/25/2007	31.78		0
10	BEL82794	Belt, 8gr, 2794mm (110") (5081100)		each	1		
20	BMJ80001	Bkt, Main, Weldmt, JD 8.1 L, HDX ER, '07		each	1		
30	BMJ80002	Bkt, Brace, D/S, JD 8.1 L, HDX ER, '07		each	1		
40	BMJ80003	Bkt, Brace, P/S, JD 8.1 L, HDX ER, '07		each	1		
50	PUL80076	Pulley, Idler, Backside, P8, 76d (89062)		each	1		
60	PUL80089	Pulley, Idler, Backside, P8, 86.4d (89106)		each	1		
65	SCD06417	Spacer, Col, Drl, 6.35mm x 25.4o x 16.67i		each	1		
90	KBJ82660	Bag Kit, Fasteners, KMJ82660		each	1		

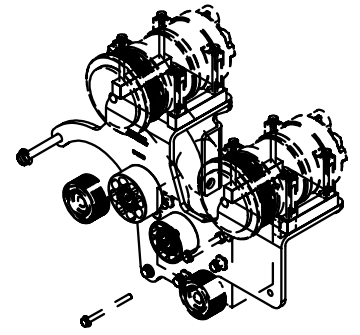
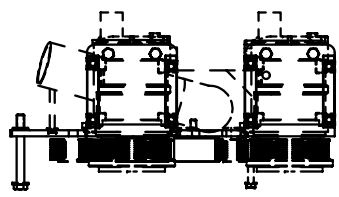
Bill of Materials Listing

TransArctic Canada Inc.

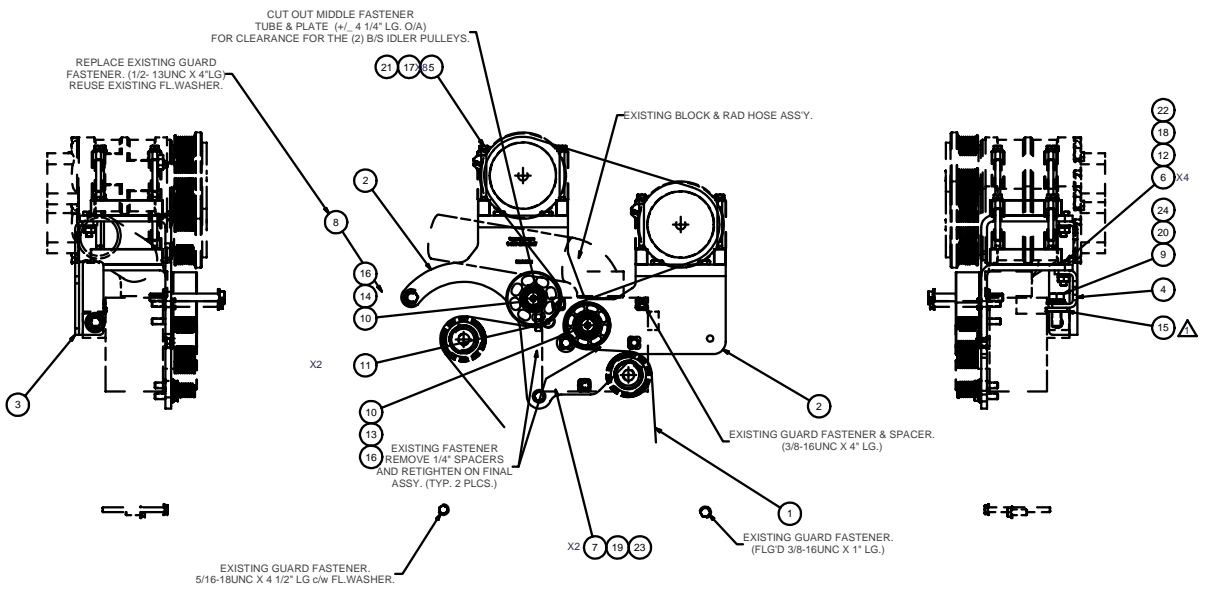
3/13/2007

Page 1 of 1

Product Number		Description	Bin	Date	Weight	Uof M	Yield
Line	Component Prod#	Description		Unit	Qty		
KBJ82660		Bag Kit, Fasteners, KMJ82660		1/25/2007	2.07		0
10	BTC10035	Bolt, Hex, 10 x 1.5 x 35mm, 10.9, Plt		each	4		
20	BTC08100	Bolt, Hex, 8 x 1.25 x 100mm, 10.9, Plt		each	8		
30	BTQ10175	Bolt, Hex, 5/8-11unc, 1.75", 8, PLT		each	1		
35	BTQ08450	Bolt, Hex, 1/2-13unc, 4.5", 8, Plt		each	1		
40	BTQ06125	Bolt, Hex, 3/8-16unc, 1.25", 8, Plt		each	2		
50	BTS10001	Bolt, Shoulder, 10mm (89064)		each	2		
60	CSF06125	Capscrew, FH, 3/8-16 x 1.25", 9, Plt		each	2		
70	NTA10000	Nut, Hex, 10 x 1.5, 8.8, Plt		each	4		
80	WDS17001	Washer, Dust Cover (89060)		each	2		
90	WFA10000	Washer, Flat, 10mm, 8.8, Plt		each	4		
100	WFA08000	Washer, Flat, 8mm, 8.8, Plt		each	8		
110	WFQ10000	Washer, Flat, 5/8", 8, Plt		each	2		
120	WFN06000	Washer, Flat, 3/8", 2, Plt		each	2		
130	WLQ10000	Washer, Lock, 5/8", 8, Plt		each	2		
140	WLP06000	Washer, Lock, 3/8", 5, Plt		each	2		
150	WLA10000	Washer, Lock, 10mm, 8.8, Plt		each	4		
160	WLA08000	Washer, Lock, 8mm, 8.8, Plt		each	8		



ISOMETRIC VIEW



NOTES:
 1) USE SERVICABLE THREADLOCKER ON ALL FASTENERS TO ENGINE COMPONENTS AND TORQUE ALL BOLTS TO S.A.E. SPECIFICATIONS.
 2) SEE "TRANSARCTIC A/C COMPRESSOR MOUNT INSTALLATION DISCLAIMER".

ITEM	QTY	UM	PART NUMBER	DESCRIPTION
24	2	EACH	WLG10000	WASHER, LOCK, 5/8", 5, PLT
23	2	EACH	WLP06000	WASHER, LOCK, 3/8", 5, PLT
22	4	EACH	WLA10000	WASHER, LOCK, 10mm, 8.8, PLT
21	8	EACH	WLA08000	WASHER, LOCK, 8mm, 8.8, PLT
20	2	EACH	WFG10000	WASHER, FLAT, 5/8", 8, PLT
19	2	EACH	WFN06000	WASHER, FLAT, 3/8", 2, PLT
18	4	EACH	WFA10000	WASHER, FLAT, 10mm, 8.8, PLT
17	8	EACH	WFA08000	WASHER, FLAT, 8mm, 8.8, PLT
16	2	EACH	WDS17001	WASHER, DUST COVER (PUL80076)
15	1	EACH	SCD06417	SPACER, COL, DRL, 6.35mm x 34.930 x16.671
14	1	EACH	PUL80089	PULLEY, IDLER, BACKSIDE, P8, 86.4D, 39W
13	1	EACH	PUL80076	PULLEY, IDLER, BACKSIDE, P8, 76D, 39W
12	4	EACH	NTA10000	NUT, HEX, 10 x 1.5, 8.8, PLT
11	2	EACH	CSF06125	CAPSCREW, FH, 3/8-16 x 1.25", 9, PLT
10	2	EACH	BTS10001	BOLT, SHOULDER, 10mm (IDLER PULLEY)
9	1	EACH	BTQ10175	BOLT, HEX, 5/8-11UNC x 1.75, 8, PLT
8	1	EACH	BTQ08450	BOLT, HEX, 1/2-13UNC x 4.50, 8, PLT
7	2	EACH	BTQ06125	BOLT, HEX, 3/8-16UNC x 1.25, 8, PLT
6	4	EACH	BTC10035	BOLT, HEX, 10 x 1.25 x 35mm, 10.9, PLT
5	8	EACH	BTC08100	BOLT, HEX, 8 x 1.25 x 100mm, 10.9, PLT
4	1	EACH	BMJ80003	BKT, BRACE, P/S, JD, 8.1L, HDX ER, '07
3	1	EACH	BMJ80002	BKT, BRACE, D/S, JD, 8.1L, HDX ER, '07
2	1	EACH	BMJ80001	BKT, MAIN, WELDMNT, JD, 8.1L, HDX ER, '07
1	1	EACH	BEL82794	BELT, 8pr, 2794mm (110") (5081100)

TRANSARCTIC INC.

1	ADDED DISCONNECT SPACER	3/6/2007	VAL	
1	RELEASED TO PRODUCTION	3/6/2007	VAL	
REV	ECN	DESCRIPTION	DATE	BY
			3/6/2007	James Stewart
			3/6/2007	Ron Ingram
			3/6/2007	Dale Mason

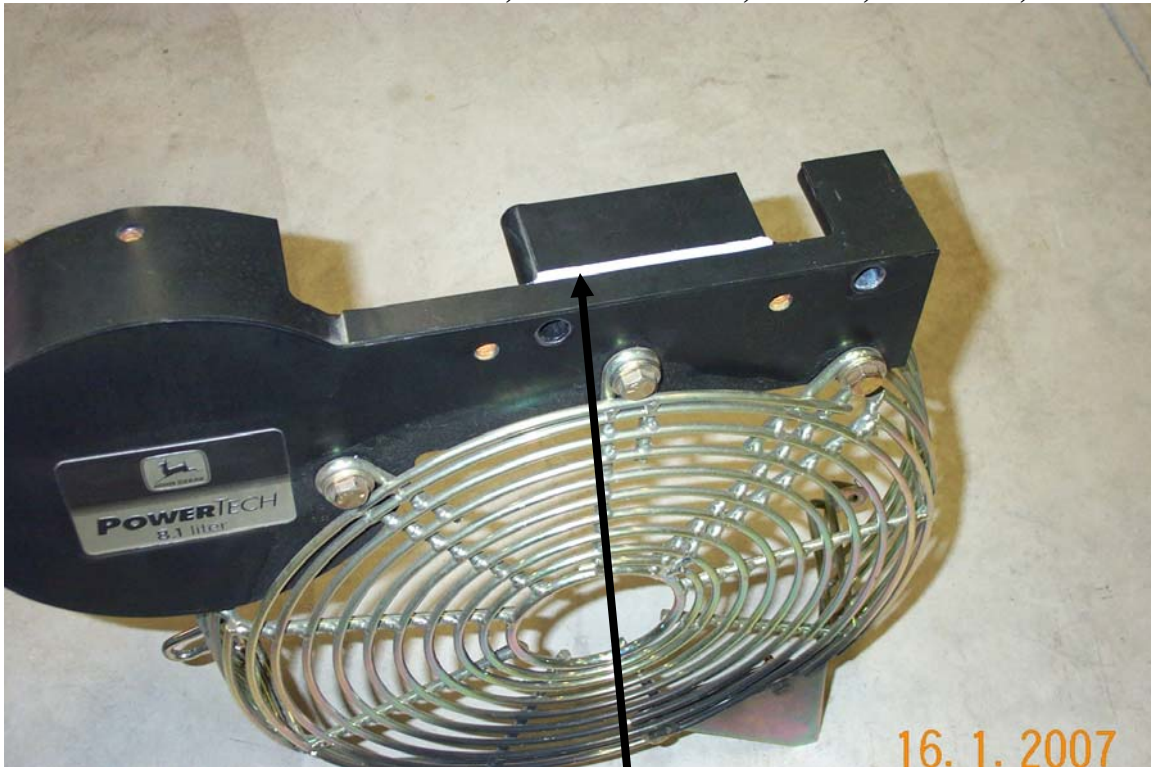
DRAWN	vjakovlev	3/6/2007
CHECKED	James Stewart	3/6/2007
APPROVED	Dale Mason	3/6/2007
TRANSARCTIC INC. TITLE MT KIT, JD 8.1L, CNG, BBRE, 2 TM-21, '07		
SIZE	D	DWG NO
SCALE	1:4	KMJ82660
DRAWING UNIT OF MEASURE	MM (INCH)	REV
		1
SHEET 1 OF 1		

UNSPECIFIED TOLERANCES: ALL DIMS
 ONE DECIMAL PLACE (X) .10 (FRA) .005
 TWO DECIMAL PLACE (X) .01 (FRA) .0025
 THREE DECIMAL PLACE (X) .001 (FRA) .00125
 FRACTIONAL (X) 1/32 (FRA) .015625

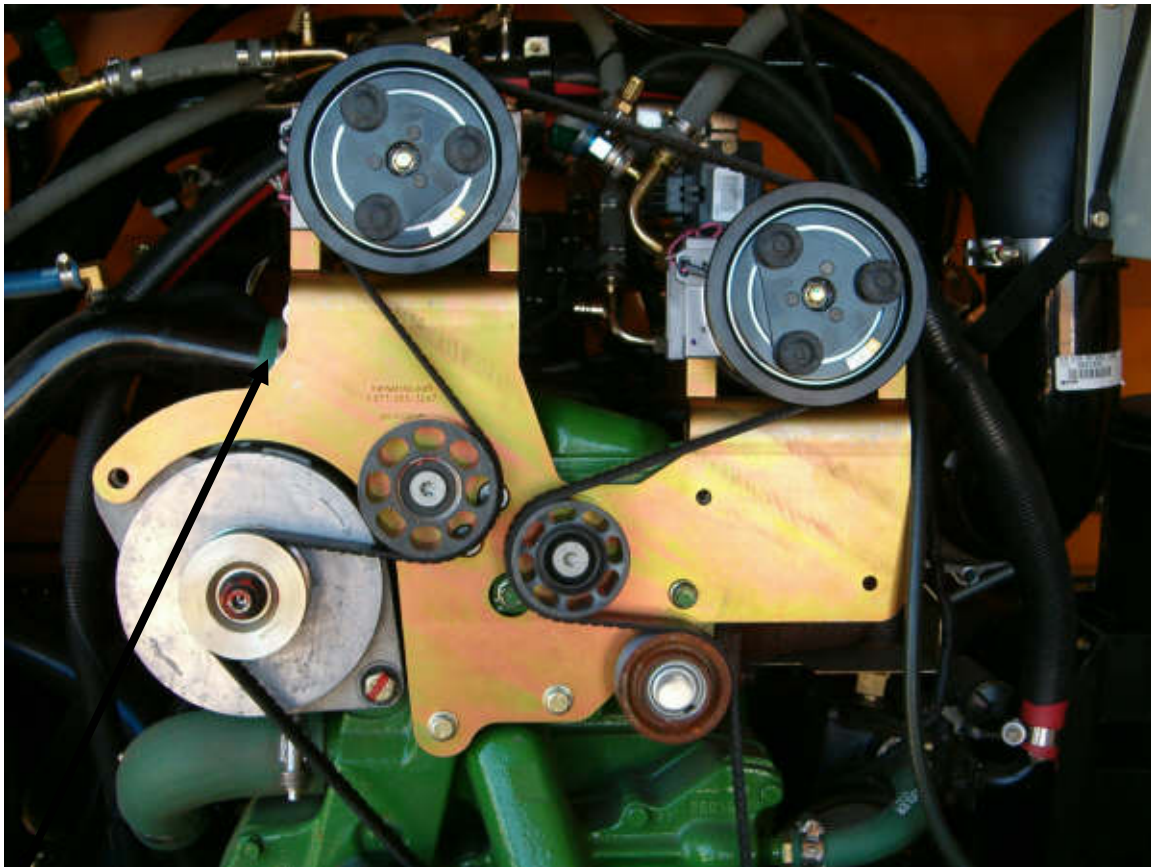


THIRD ANGLE PROJECTION

KMJ82660 - Mt Kit, JD 8.1L CNG, BBRE, 2 TM-21,'07



Cut Belt Guard along white line, grind and paint.



Ensure that Rad Hose Ass'y is routed towards the Driver's side compressor and to the rear, away from the belt path, as well as clears the underside of D/S compressor plate.

TransArctic A/C Compressor Mount Installation Disclaimer

All compressor mounts should be installed by qualified and trained personnel using proper tools and equipment in safe working conditions following industry standard guidelines for motor vehicle service and repair.

The installer of any compressor mount purchased from TransArctic must undertake all responsibility of issues arising from that compressor bracket being installed on any vehicle. As well as insure that a **proper and sufficient ground** is established between the compressors' clutches and the vehicle's engine. Mount functionality, operation and durability can all be compromised by an incompetent installation.

Due to the many different situations, parameters and application criteria, which are beyond the compressor mount manufacturer's control, TransArctic does not warrant design, durability, or operational functionality of any compressor mount improperly installed by another party.

With no implied guarantees it is the mount installer's strict responsibility to determine safety and functionality, of the compressor mount, at the time of installation.

Please contact TransArctic with any issue arising from installation so we may better improve the product. If you have any reservations about the compressor mount integrity contact TransArctic immediately at 1-877-COLD-AIR.