

# Bill of Materials Listing

TransArctic Canada Inc.

5/31/2007

Page 1 of 1

Product Number		Description	Bin	Date	Weight	Uof M	Yield
Line	Component Prod#	Description		Unit	Qty		
<b>KMN81571</b>		<b>Mt. Kit, MForce DT, CE300, 21/16, 07</b>		<b>5/30/2007</b>		<b>2.36</b>	<b>0</b>
10	BEL02222	Belt, 10gr, 2222mm (87.5")		each	1		
20	BMN80038	Bkt, Rad Hose, PMax DT, CE300		each	1		
30	PUL80074	Pulley, Idler, B/S, Wide, 76d (89102)		each	1		
40	SCD46010	Spacer, Col, Drl, 46mm x25.4o x10.32i		each	1		
50	SLV17010	Sleeve, Pulley, 16.9o x 22.23mm x 10.32i		each	1		
60	KBN81571	Bag Kit, Fasteners, KMN81571		each	1		
70	CLP20040	Clamp, "P" type, #40, 1/2"w, 2 1/2", PC		each	1		
80	CLP36001	Clamp, Gear, #36, 1 13/16-2 3/4 (46/70mm)		each	1		

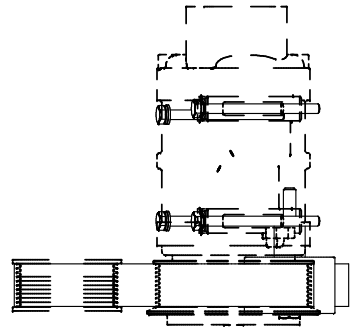
# Bill of Materials Listing

TransArctic Canada Inc.

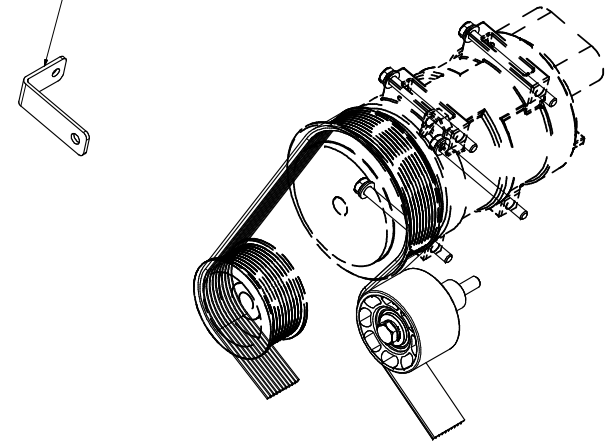
5/31/2007

Page 1 of 1

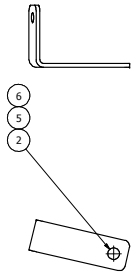
Product Number		Description	Bin	Date	Weight	Uof M	Yield
Line	Component Prod#	Description		Unit	Qty		
<b>KBN81571</b>		<b>Bag Kit, Fasteners, KMN81571</b>		<b>5/3/2007</b>	<b>0.55</b>		<b>0</b>
5	BTC10100	Bolt, Hex, 10 x 1.5 x 100mm, 10.9, Plt		each	1		
10	BTC08100	Bolt, Hex, 8 x 1.25 x 100mm, 10.9, Plt		each	4		
50	WFA08000	Washer, Flat, 8mm, 8.8, Plt		each	4		
60	WLA08000	Washer, Lock, 8mm, 8.8, Plt		each	4		
80	WLA10000	Washer, Lock, 10mm, 8.8, Plt		each	1		
130	BTP04075	Bolt, Hex, 1/4-20unc, .75", 5, Plt		each	1		
140	NTP04000	Nut, Hex, 1/4-20unc, 5, Plt		each	1		
150	WFS04003	Washer, Flat, 1/4", 2, USS, Plt		each	1		
160	WFS04004	Washer, Flat, 1/4", FEND, PLT		each	1		



REFER TO PHOTOGRAPHS FOR MOUNTING.



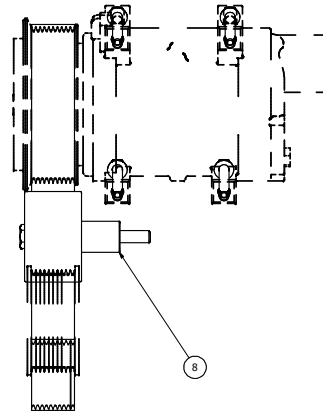
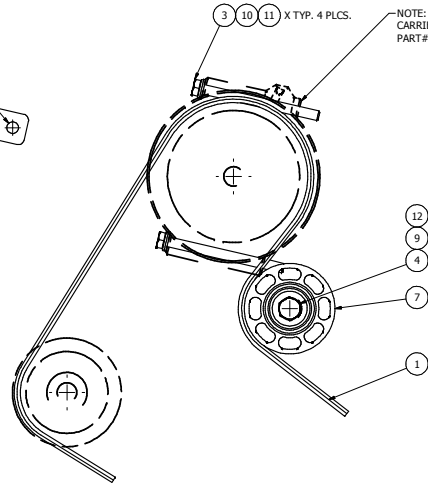
ISOMETRIC VIEW



6  
5  
2

3 10 11 X TYP. 4 PLCS.

NOTE: CARRIER COMPRESSOR PART # 76-62287-xx



NOTES:  
 1) USE SERVICABLE THREADLOCKER ON ALL FASTENERS TO ENGINE COMPONENTS AND TORQUE ALL BOLTS TO S.A.E. SPECIFICATIONS.  
 2) SEE "TRANSARGTIC A/C COMPRESSOR MOUNT INSTALLATION DISCLAIMER".  
 3) MODIFY EXISTING RADIATOR HOSE ON PASSENGER SIDE (TO CLEAR BELT.) BY REMOVING HOSE AND FLIPPING END FOR END AND THEN RE-INSTALL ON THE ENGINE. (USING NEW BRKT SUPPLIED.)

ITEM	QTY	U/M	PART NUMBER	DESCRIPTION
12	1	EACH	WLA10000	WASHER, LOCK, 10mm, 8.8, PLT
11	4	EACH	WLA08000	WASHER, LOCK, 8mm, 8.8, PLT
10	4	EACH	WFA08000	WASHER, FLAT, 8mm, 8.8, PLT
9	1	EACH	SLV17010	SLEEVE, PULLEY, 16.9o x 22.23mm x 10.32i
8	1	EACH	SCD46010	SPACER, COL, DRL, 46mm x 25.4o x 10.32i
7	1	EACH	PUL80074	PULLEY, IDLER, BACKSIDE, P8, 74D, 46.27W
6	1	EACH	CLP36001	CLAMP, GEAR, #36, 1 13/16- 2 3/4 (46/70 mm)
5	1	EACH	CLP20040	CLAMP, "P" TYPE, #40, 1/2"W, 2 1/2", PC
4	1	EACH	BTC10100	BOLT, HEX, 10 x 1.5 x 100mm, 10.9, PLT
3	4	EACH	BTC08100	BOLT, HEX, 8 x 1.25 x 100mm, 10.9, PLT
2	1	EACH	BMN80038	BKT, RAD HOSE, PMAX DT, CE300
1	1	EACH	BELO2222	BELT, 10gr, 2222mm (87.5")

BILL OF MATERIALS

1	ADDED NOTE	5/28/2007	JRR	
0	RELEASED TO PRODUCTION	5/28/2007	JRR	CA
REV	DESCRIPTION	DATE	BY	
0		5/18/2007	James Stewart	
1		5/28/2007	Ron Ingram	
2		5/28/2007	Dale Mason	

THIS DRAWING CONTAINS PROPRIETARY CONFIDENTIAL INFORMATION OWNED BY TRANSARGTIC CANADA INC. THE DOCUMENT AND THE INFORMATION IT CONTAINS ARE NOT TO BE USED, DISCLOSED OR REPRODUCED WITHOUT EXPRESS WRITTEN PERMISSION OF THE COMPANY.

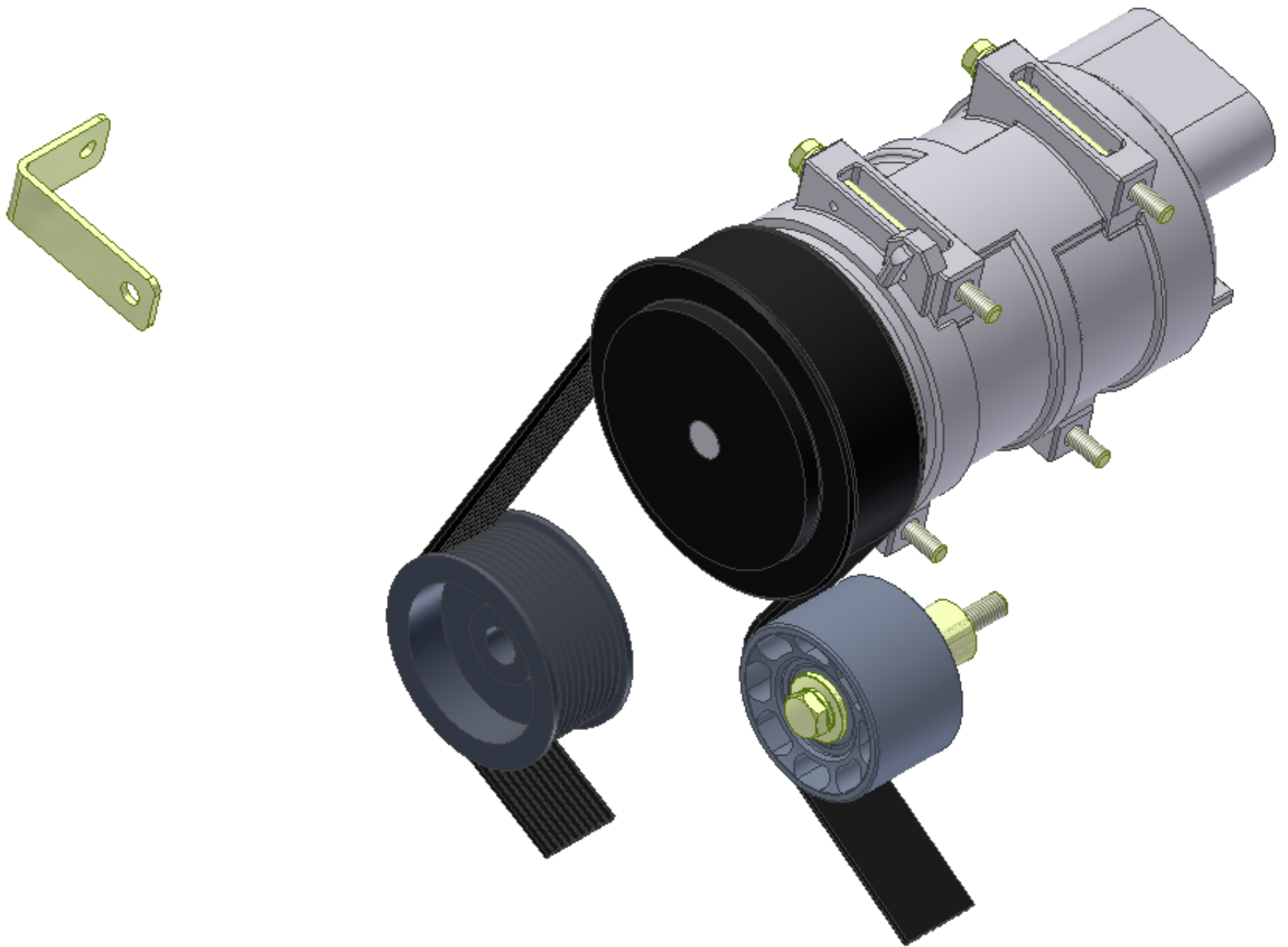
UNSPECIFIED TOLERANCES: (ALL DIM)   
 ONE DECIMAL PLACE (10)   
 THIRTIETHS OF AN INCH (1/30)   
 FRACTIONAL (1/32)   
 ANGULAR (1/32)

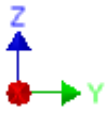
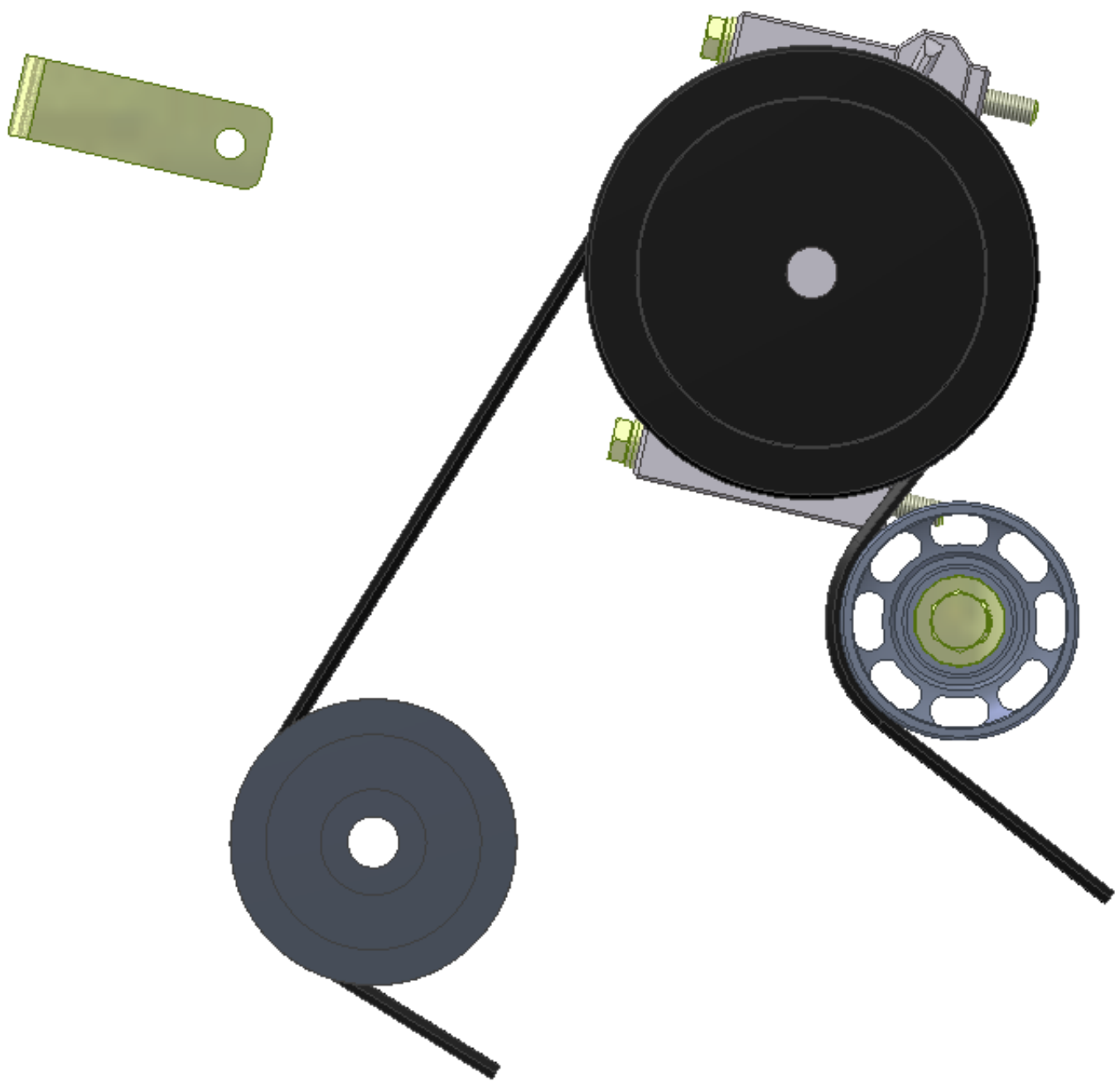
DRAWN: Stewart 5/28/2007  
 CHECKED: James Stewart 5/28/2007  
 APPROVED: Ron Ingram 5/28/2007  
 APPROVED: Dale Mason 5/28/2007

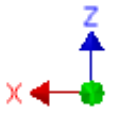
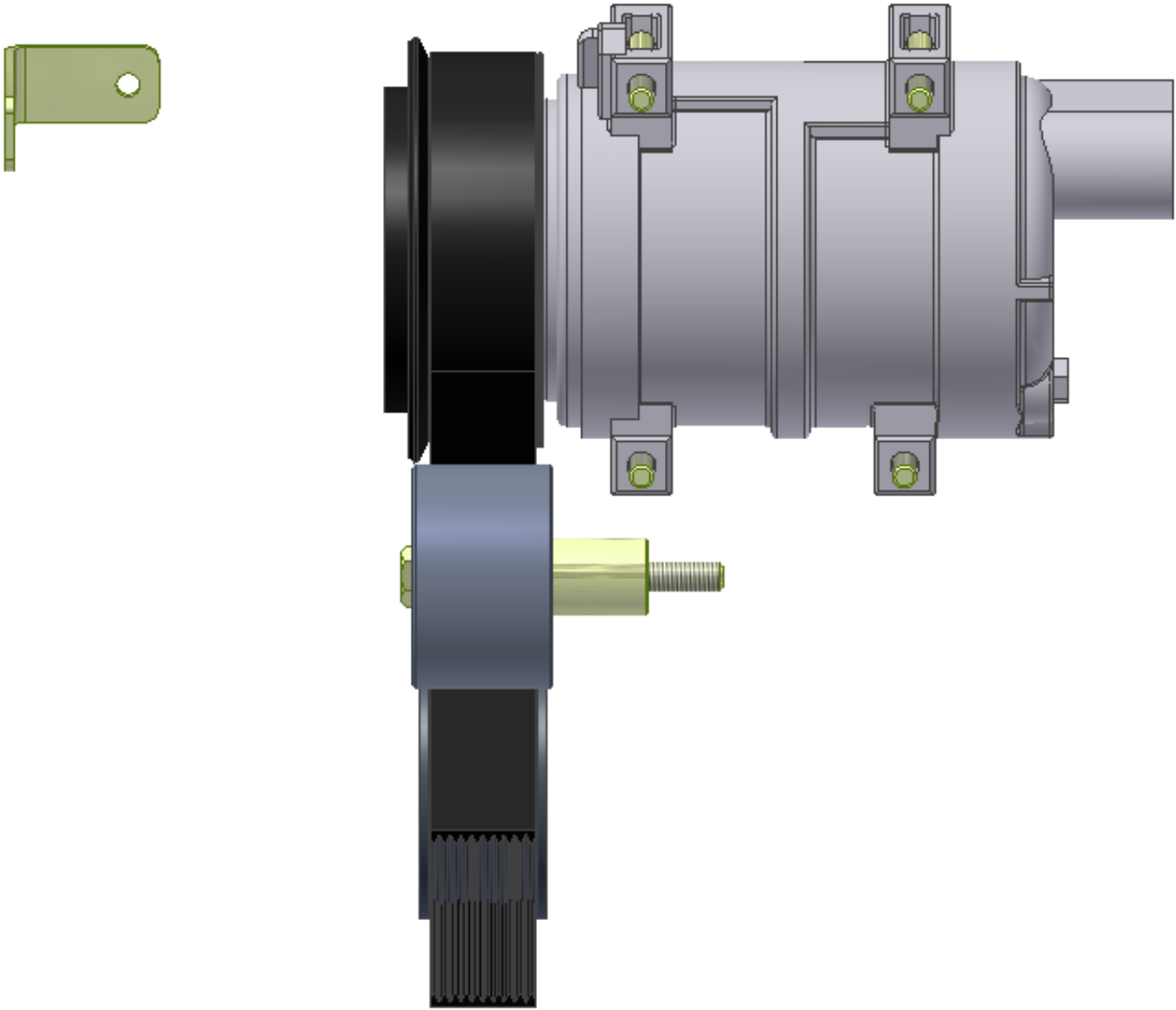
THIRD ANGLE PROJECTION

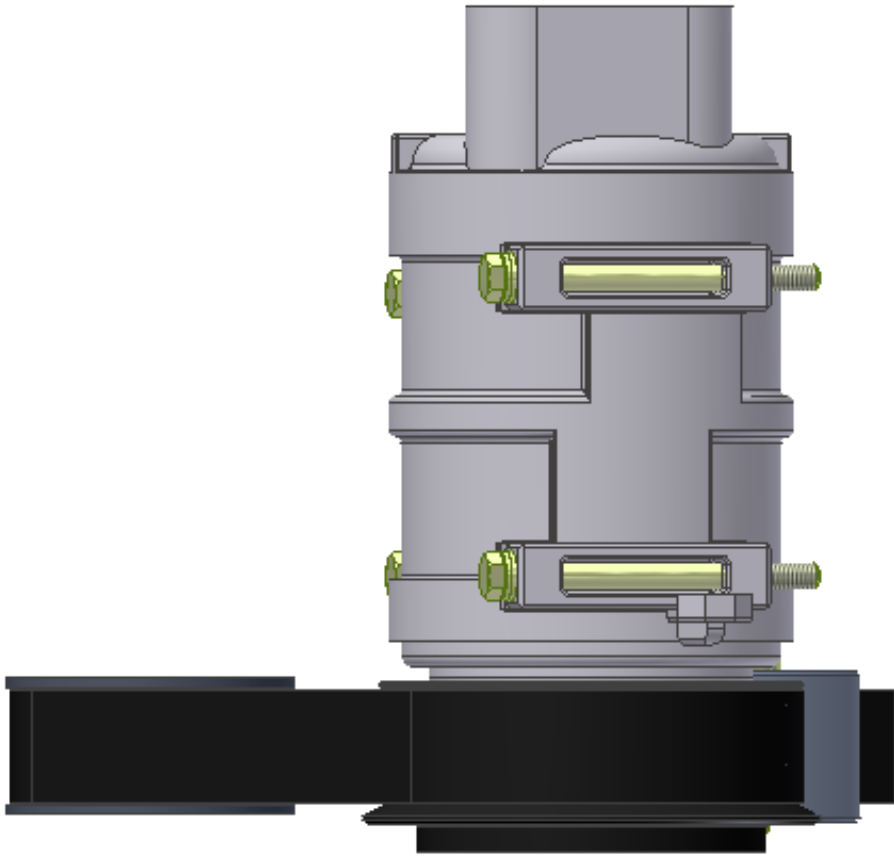
DRAWING UNIT OF MEASURE: MM (INCH)  
 SCALE: 1:2

**TRANSARGTIC INC.**  
 TITLE: MT. KIT, MFORCE DT, CE300, 21/16, 07  
 SIZE: D DWG NO: KMN81571 REV: 1  
 SHEET 1 OF 1









## **TransArctic A/C Compressor Mount Installation Disclaimer**

All compressor mounts should be installed by qualified and trained personnel using proper tools and equipment in safe working conditions following industry standard guidelines for motor vehicle service and repair.

The installer of any compressor mount purchased from TransArctic must undertake all responsibility of issues arising from that compressor bracket being installed on any vehicle. As well as insure that a **proper and sufficient ground** is established between the compressors' clutches and the vehicle's engine. Mount functionality, operation and durability can all be compromised by an incompetent installation.

Due to the many different situations, parameters and application criteria, which are beyond the compressor mount manufacturer's control, TransArctic does not warrant design, durability, or operational functionality of any compressor mount improperly installed by another party.

**With no implied guarantees it is the mount installer's strict responsibility to determine safety and functionality, of the compressor mount, at the time of installation.**

Please contact TransArctic with any issue arising from installation so we may better improve the product. If you have any reservations about the compressor mount integrity contact TransArctic immediately at 1-877-COLD-AIR.