

Bill of Materials Listing

TransArctic Canada Inc.

6/13/2011

Page 1 of 1

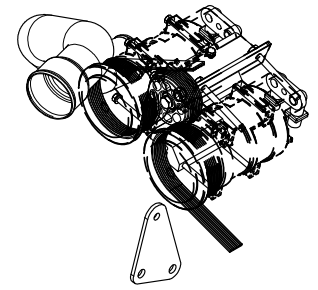
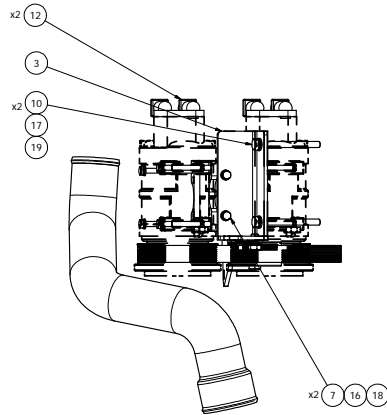
Product Number		Description	Bin	Date	Weight	Uof M	Yield
Line	Component Prod#	Description		Unit	Qty		
KMC62678		Mt Kit, ISB, 6.7L, C2, 2 TM-21, '10		5/17/2011	37.77		0
10	BEL82705	Belt, 8gr, 2705mm (106.5") (5081065)		each	1		
20	BMC67026	Bkt, Support, RAD, F400, TH Cum C2, BLK		each	1		
30	BMC67081	Bkt, Main, Weldmt,C2, TM-21,'10		each	1		
40	BMN80034	Bkt, Comp, Upper, CE200		each	1		
50	BMN80035	Bkt, Comp, Lower, CE300		each	1		
60	BMS16022	Bkt, TM-16 Spacer Plate		each	2		
90	FTS10198	Fitting, Manifold,GMpadMount,VOR,dwn,MIO		each	2		
100	PUL80089	Pulley, Idler, Backside,P8,86.4d (89106)		each	1		
110	SLV17012	Sleeve, Pulley, 16.9o x 22.23mm x 12.32i		each	1		
120	TUS03036	Tube, Stl, 3"/ 3.5" O.D, C2, 2 TM-21		each	1		
130	KBC62678	Bag Kit, Fasteners, KMC62678		each	1		

Bill of Materials Listing

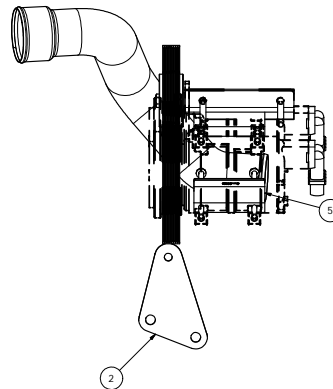
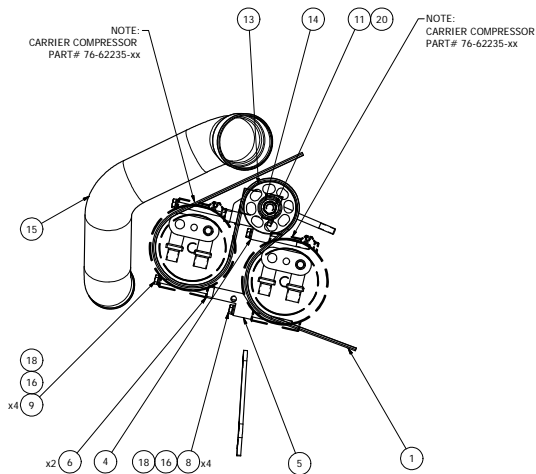
TransArctic Canada Inc.

6/8/2011
Page 1 of 1

Product Number	Description	Date	Weight	Uof M	Yield
Line Component Prod#	Description	Bin Unit	Qty		
KBC62678	Bag Kit, Fasteners, KMC62678	6/6/2011	1.58		0
10 BTC08030	Bolt, Hex, 8 x 1.25 x 30mm, 10.9, Plt,FT	each	2		
20 BTC08100	Bolt, Hex, 8 x 1.25 x 100mm, 10.9, Plt	each	4		
30 BTC08140	Bolt, Hex, 8 x 1.25 x 140mm, 10.9, Plt	each	4		
40 BTC10110	Bolt, Hex, 10 x 1.5 x 110mm, 10.9, Plt	each	2		
50 BTC12050	Bolt, Hex, 12 x 1.75 x 50mm, 10.9,Plt	each	1		
60 WFA08000	Washer, Flat, 8mm, 8.8, Plt	each	10		
70 WFA10000	Washer, Flat, 10mm, 8.8, Plt	each	2		
80 WLA08000	Washer, Lock, 8mm, 8.8, Plt	each	10		
90 WLA10000	Washer, Lock, 10mm, 8.8, Plt	each	2		
100 WLA12000	Washer, Lock, 12mm, 8.8, Plt	each	1		



ISOMETRIC VIEW



NOTES:
 1) USE SERVICABLE THREADLOCKER ON ALL FASTENERS TO ENGINE COMPONENTS AND TORQUE **ALL** BOLTS TO S.A.E. SPECIFICATIONS.
 2) SEE "TRANSARCIC A/C COMPRESSOR MOUNT INSTALLATION DISCLAIMER".

ITEM	QTY	U/M	PART NUMBER	DESCRIPTION
20	1	EACH	WLA12000	WASHER, LOCK, 12mm, 8.8, PLT
19	2	EACH	WLA10000	WASHER, LOCK, 10mm, 8.8, PLT
18	10	EACH	WFA08000	WASHER, FLAT, 10mm, 8.8, PLT
17	2	EACH	WFA10000	WASHER, FLAT, 10mm, 8.8, PLT
16	10	EACH	WFA08000	WASHER, FLAT, 8mm, 8.8, PLT
15	1	EACH	TUS03036	TUBE, STL, 3/7 3.5" O.D, C2, 2 TM-21
14	1	EACH	SLV17012	SLEEVE, PULLEY, 16.9x x 22.23 mm x12.19l
13	1	EACH	PUL80089	PULLEY, IDLER, BACKSIDE, P8, S6-4D, 39W
12	2	EACH	FIS10198	FITTING, MANIFOLD, COMPADJUNT, VOR, DWN, MIO
11	1	EACH	BTC12050	BOLT, HEX, 12 x 1.75 x 50mm, 10.9, PLT
10	2	EACH	BTC10110	BOLT, HEX, 10 x 1.5 x 110mm, 10.9, PLT
9	4	EACH	BTC08140	BOLT, HEX, 8 x 1.25 x 140mm, 10.9, PLT
8	4	EACH	BTC08100	BOLT, HEX, 8 x 1.25 x 100mm, 10.9, PLT
7	2	EACH	BTC08030	BOLT, HEX, 8 x 1.25 x 30mm, 10.9, PLT
6	2	EACH	BMS16022	BKT, TM-16, SPACER PLATE
5	1	EACH	BMN80035	BKT, COMP, LOWER, FE300
4	1	EACH	BMN80034	BKT, COMP, UPPER, FE300
3	1	EACH	BMC67081	BKT, MAIN, WELDMT, C2, TM-21, '10
2	1	EACH	BMC67026	BKT, SUPPORT, RAD, TH CUMMINS, BLK
1	1	EACH	BEL2705	BELT, 6gr, 2705mm, (106.5") (S0810A5)

BILL OF MATERIALS

DRAWN	vjakowlew	6/3/2011	
CHECKED	James Stewart	6/3/2011	TITLE
REVISION	RELEASED TO PRODUCTION	6/3/2011	BY: GA
			DATE: 6/3/2011
			BY: James Stewart
			DATE: 6/3/2011
			BY: Ron Ingram
			DATE: 6/3/2011
			BY: Dale Mason
			DATE: 6/3/2011



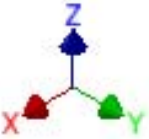
MT. KIT, ISB, 6.7L, C2, 2 TM-21, '10

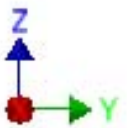
SIZE: D DWG NO: KMC62678 REV: 0
 SCALE: 1:1 SHEET 1 OF 1

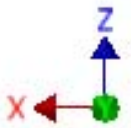
UNSPECIFIED TOLERANCES:	ALL DIMS	±.005
ONE DECIMAL PLACE DIMS	±.01	±.005
TWO DECIMAL PLACE DIMS	±.005	±.002
THREE DECIMAL PLACE DIMS	±.002	±.001
FRACTIONAL DIMS	±.005	±.001
ANGULAR DIMS	±.01	

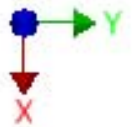


DRAWING UNIT OF MEASURE: MM (INCH)









TransArctic A/C Compressor Mount Installation Disclaimer

All compressor mounts should be installed by qualified and trained personnel using proper tools and equipment in safe working conditions following industry standard guidelines for motor vehicle service and repair.

The installer of any compressor mount purchased from TransArctic must undertake all responsibility of issues arising from that compressor bracket being installed on any vehicle. As well as insure that a **proper and sufficient ground** is established between the compressors' clutches and the vehicle's engine. Mount functionality, operation and durability can all be compromised by an incompetent installation.

Due to the many different situations, parameters and application criteria, which are beyond the compressor mount manufacturer's control, TransArctic does not warrant design, durability, or operational functionality of any compressor mount improperly installed by another party.

With no implied guarantees it is the mount installer's strict responsibility to determine safety and functionality, of the compressor mount, at the time of installation.

Please contact TransArctic with any issue arising from installation so we may better improve the product. If you have any reservations about the compressor mount integrity contact TransArctic immediately at 1-877-COLD-AIR.

Mark OEM tensioner location

Install Kit

Check for Interferences

Check to ensure that the proper OEM tensioner orientation is maintained

Run engine with A/C system engaged for at least 10 minutes to run in belt

Check OEM tensioner orientation and adjust as required

Responsabilidad limitada de TransArctic en la instalación del soporte del compresor

Todos los soportes de los compresores deben ser instalados por personas calificadas y entrenadas, usando para ello los equipos y herramientas necesarios para esta labor en buenas condiciones y según las normas y guías para el servicio y/o reparación de motores de vehículos.

El instalador de los soportes comprados en TransArctic asume toda la responsabilidad de cualquier problema que surga en el soporte del compresor al vehículo; de igual manera es responsable que el cable a tierra sea conectado entre el embrague del compresor y el motor del vehículo.

Se advierte que el buen funcionamiento y la durabilidad del soporte pueden ser comprometidos por defectos en su instalación.

Debido a las diversas situaciones que se puedan presentar fuera del control del fabricante, TransArctic no garantiza el diseño, la durabilidad o el correcto funcionamiento de cualquier equipo inapropiadamente instalado por terceros.

Esta sobreentendido que el Instalador del montaje del compresor es estrictamente responsable de la seguridad y funcionamiento del equipo en el momento de la instalación.

Si tuviera algún problema o duda acerca de la instalación del soporte del compresor pongase en contacto inmediatamente con TransArctic al teléfono 1-877-COLD-AIR de modo que podamos mejorar nuestro producto.

Note la ubicación del medidor de tensión OEM

Instale el equipo

Controlar si hay interferencias.

Asegurese que el medidor de tensión mantenga la orientación justa.

Encienda el motor por lo menos 10 minutos con el sistema A/C enganchado para que la correa corra

Controle la orientación justa del medidor de tensión y ajuste a las condiciones requeridas del fabricante