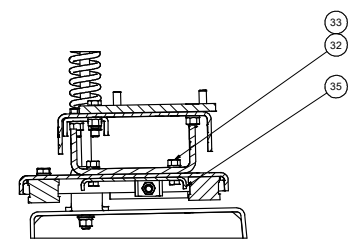
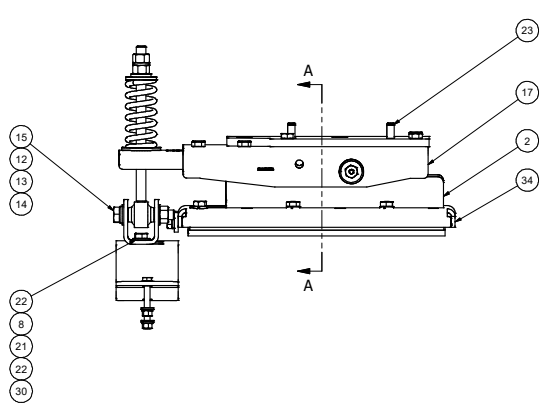
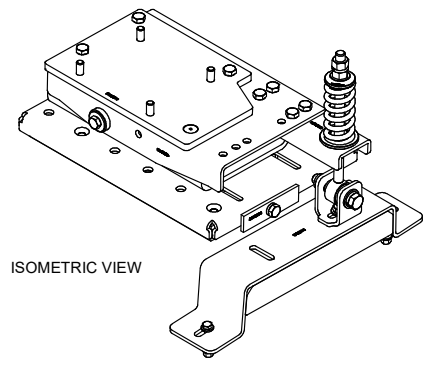


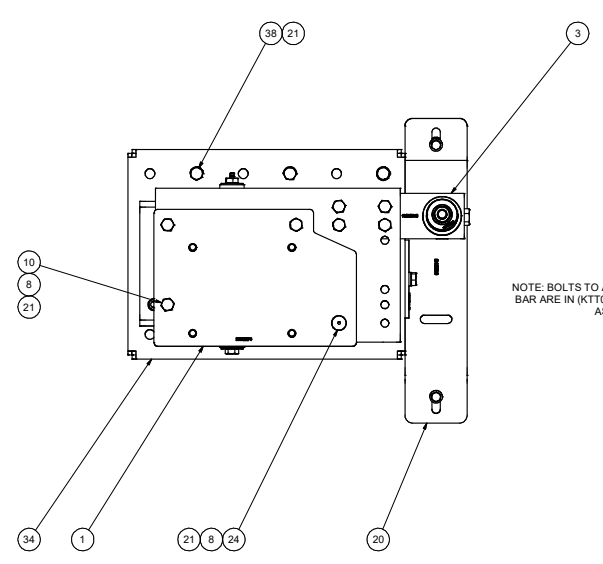
8 7 6 5 4 3 2 1



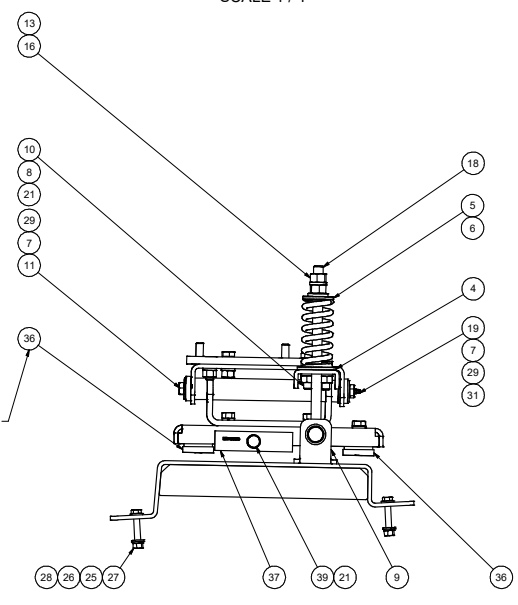
SECTION A-A
SCALE 1 / 4



ISOMETRIC VIEW



NOTE: BOLTS TO ATTACH VIBRATION ISOLATOR BAR ARE IN (KIT00005) - TENSIONER BRACKET ASSEMBLY KIT.



39	1	EACH	BTP08653	BOLT, HEX, 1/2-13UNC x 6.50, 5, PLT, FT
38	3	EACH	BTQ08101	BOLT, HEX, 1/2-20UNF x 1.00, 8, PLT
37	1	EACH	BMN80025	BKT, BACK, PL, SLIDE, IC, RE300
36	2	EACH	BMN80008	VIBRATION ISOLATOR, BAR, 16.50 x 2 x 1.50
35	1	EACH	BMN80031	BKT, MAIN, SLIDE, ASSY, 05K, IC, RE300
34	1	EACH	BMZ00043	BKT, MAIN, BASE PL, '13
33	4	EACH	WLF07000	WASHER, LOCK, 7/16", 5, PLT
32	4	EACH	NTF07000	NUT, HEX, 7/16-14UNC, 5, PLT
31	1	EACH	PIS01010	SHAFT, STL, GREASE, ADM TRANSIT, '12
30	1	EACH	BTQ08150	BOLT, HEX, 1/2-13UNC x 1.50, 8, PLT
29	2	EACH	BMZ01041	Shaft Key, 5/16" SQ x .540" Long
28	4	EACH	WFS06002	WASHER, FLAT, 3/8", L9, PLT
27	2	EACH	NTQ06000	NUT, HEX, 3/8-16UNC, 8, PLT
26	2	EACH	WLG06000	WASHER, LOCK, 3/8", 8, PLT
25	2	EACH	BTQ08175	BOLT, HEX, 3/8-16UNC, 1.75", 8, PLT
24	1	EACH	CSF08150	CAPSCREW, FH, 3/8-16 x 1.5", 9, PLT
23	4	EACH	CSF12036	CAPSCREW, FH, 12 x 1.75 x 35mm, 10, 9, PLT
22	2	EACH	WFO08000	WASHER, FLAT, 1/2", 8, PLT
21	13	EACH	WLG08000	WASHER, LOCK, 1/2", 8, PLT
20	1	EACH	BMZ01079	BKT, WELDMNT, FORK, KNUCKLE TOWER, TM65, TRANSIT, '21
19	1	EACH	BTM08100	BOLT, 1/2-13 x 1.0" w/ GREASE NIPPLE FTG
18	1	EACH	BMZ01040	BKT, ASSY, THRD ROD, ISOLATOR, ADM, '12
17	1	EACH	BMZ01035	BKT, MAIN, PIVOT, ASSY, ADM TRANSIT, '12
16	2	EACH	NTQ10000	NUT, HEX, 5/8-11UNC, 8, PLT
15	1	EACH	BTQ10351	BOLT, HEX, 5/8-18UNF x 3.50, 8, PLT
14	1	EACH	NTQ10001	NUT, HEX, 5/8-18UNF, 8, PLT
13	2	EACH	WLG10000	WASHER, LOCK, 5/8", 8, PLT
12	2	EACH	WFG10000	WASHER, FLAT, 5/8", 8, PLT
11	1	EACH	BTQ08100	BOLT, HEX, 1/2-13UNC x 1.00, 8, PLT
10	7	EACH	BTQ08150	BOLT, HEX, 1/2-13UNC x 1.50, 8, PLT
9	1	EACH	BMZ01037	BKT, FORK, KNUCKLE-JOINT, ADM, '12
8	9	EACH	NTQ08000	NUT, HEX, 1/2-13UNC, 8, PLT
7	2	EACH	WFS08001	WASHER, FLAT, 1/2", 8, USS, PLT
6	1	EACH	SPRD0002	SPRING, COMP, R/H, 110 x 50 x 8.4, RED
5	1	EACH	WFS16001	WASHER, FLAT, DBL STEP, 16mm, 50mm, PLT
4	1	EACH	WFS27001	WASHER, FLAT, DBL STEP, 28mm, 63.5, PLT
3	1	EACH	BMZ01034	BKT, SPRING, SUPPORT ARM, ADM, '12
2	1	EACH	BMZ01075	BKT, WELDMNT, CRADLE, PIVOT, TM65, TRANSIT, '21
1	1	EACH	BMZ00074	BKT, PL, TM-55/65, HDX, INTERFACE, .50"
ITEM	QTY	U/M	PART NUMBER	DESCRIPTION

BILL OF MATERIALS

DRAWN	KLarin	6/7/2021
CHECKED	Jose Rodriguez	6/7/2021
OR	Vaj Jakowlew	6/7/2021
APPROVED	James Stewart	6/7/2021
OR	Dale Mason	6/7/2021



MT KIT, TM65, PLATFORM, TRANSIT, ADM, '21

REV	ECN	DESCRIPTION	DATE	BY
A		RELEASED TO PROTOTYPE	6/7/2021	KEY

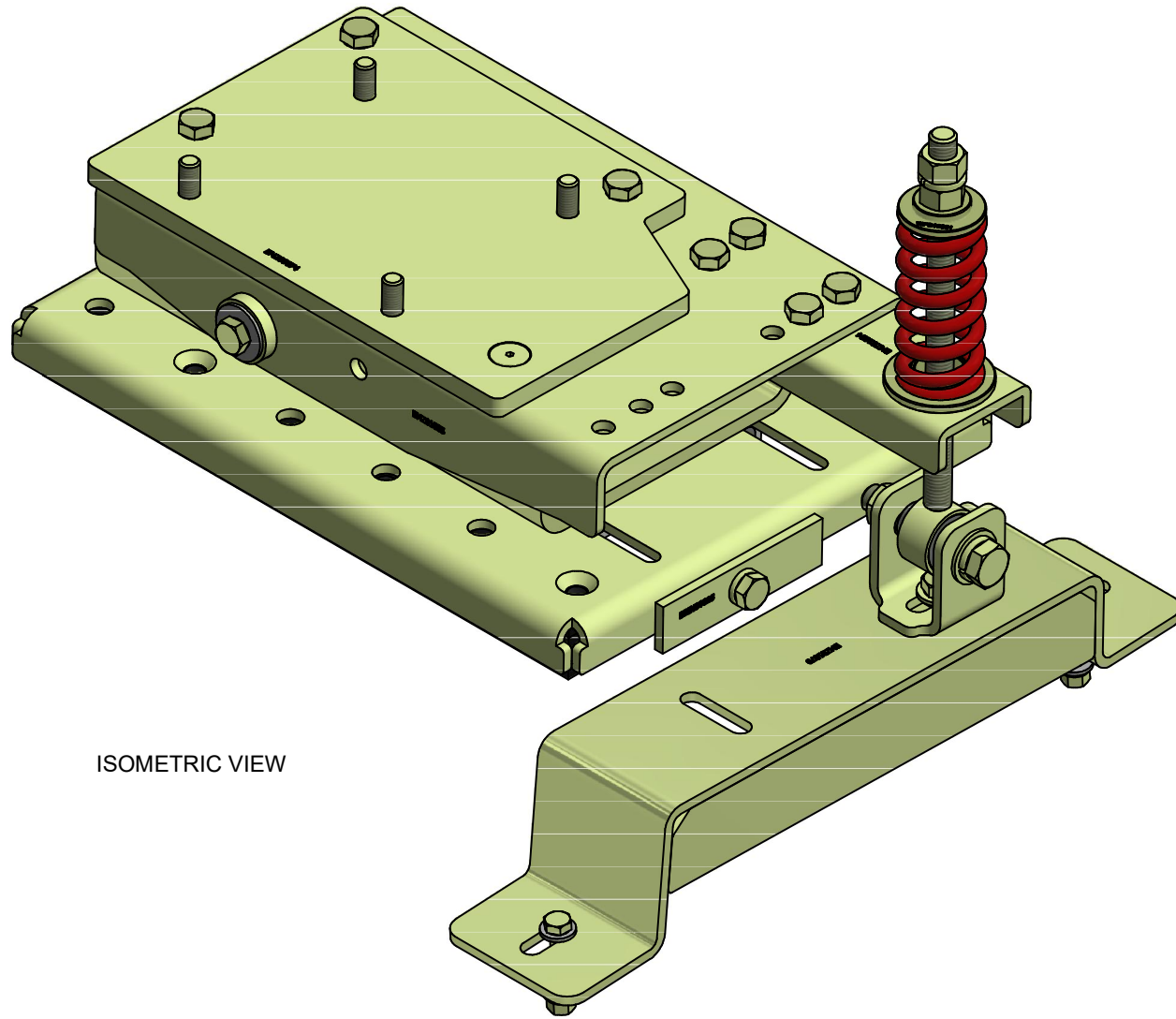
THIS DRAWING CONTAINS PROPRIETARY CONFIDENTIAL INFORMATION OWNED BY TRANSARC TIC CANADA INC. THE DOCUMENT AND THE INFORMATION IN IT ARE NOT TO BE USED, DISCLOSED OR REPRODUCED WITHOUT EXPRESS WRITTEN PERMISSION OF THE COMPANY.

UNSPECIFIED TOLERANCES:	(ALL DIM)
ONE DECIMAL PLACE (X1)	± .010
TWO DECIMAL PLACE (X2)	± .005
THREE DECIMAL PLACE (X3)	± .002
FRACTIONAL (X1/8)	± .001
ANGLE	± .01

THIRD ANGLE PROJECTION

DWG NO	KBB00004	REV	0
SIZE	D	SCALE	1 : 4
DRAWING UNIT OF MEASURE		MM [INCH]	
SHEET		1	OF 2

8 7 6 5 4 3 2 1



ISOMETRIC VIEW

				DRAWN KLarin 6/7/2021		TRANSARCTIC INC.		
				CHECKED Jose Rodriguez 6/7/2021				
A	RELEASED TO PROTOTYPE.			6/7/2021	KEV	TITLE		
REV:	ECN:	DESCRIPTION:	DATE:	BY:	Val Jakowlew	6/7/2021	MT KIT, TM65, PLATFORM, TRANSIT, ADM, '21	
THIS DRAWING CONTAINS PROPRIETARY CONFIDENTIAL INFORMATION OWNED BY TRANSARCTIC CANADA INC. THE DOCUMENT AND THE INFORMATION IN IT ARE NOT TO BE USED, DISCLOSED OR REPRODUCED WITHOUT EXPRESS WRITTEN PERMISSION OF THE COMPANY.				MFG	James Stewart	6/7/2021	APPROVED	
						Dale Mason	6/7/2021	
UNSPECIFIED TOLERANCES: [ALT. DIM.] ONE DECIMAL PLACE (X) .50 [0.005] TWO DECIMAL PLACE (XX) .25 [0.010] THREE DECIMAL PLACE (XXX) .10 [0.005] FRACTIONAL +/- .002" ANGLE/LAR +/- .50°				 THIRD ANGLE PROJECTION		SIZE C	DWG NO KBB00004	
				DRAWING UNIT OF MEASURE: MM [INCH]		SCALE 1 : 2	REV 0	
						SHEET 2 OF 2		