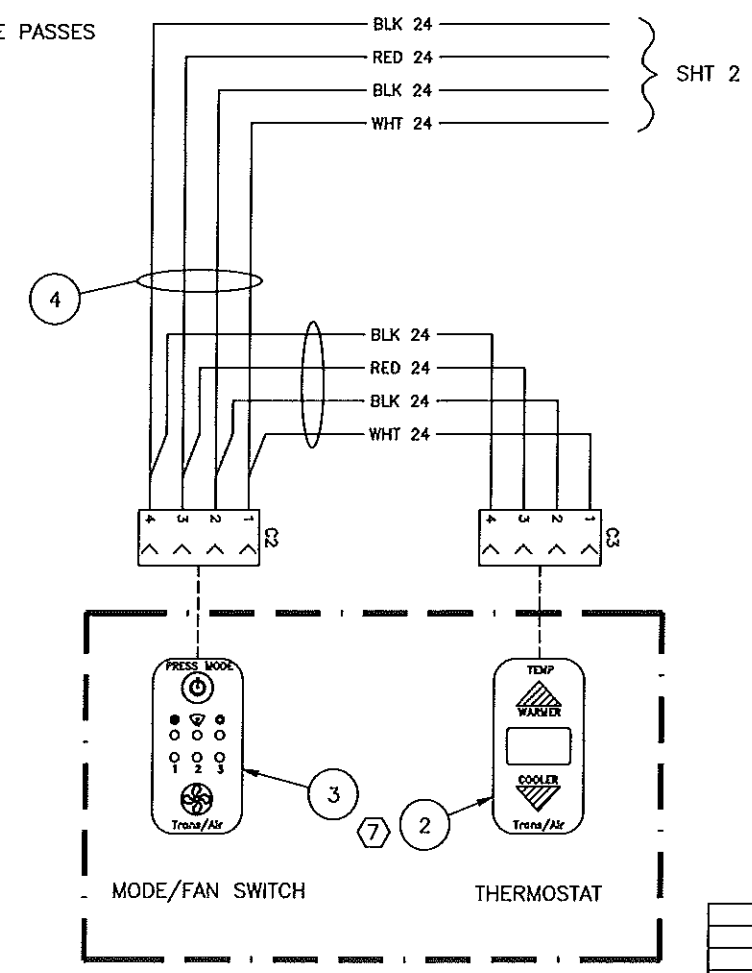
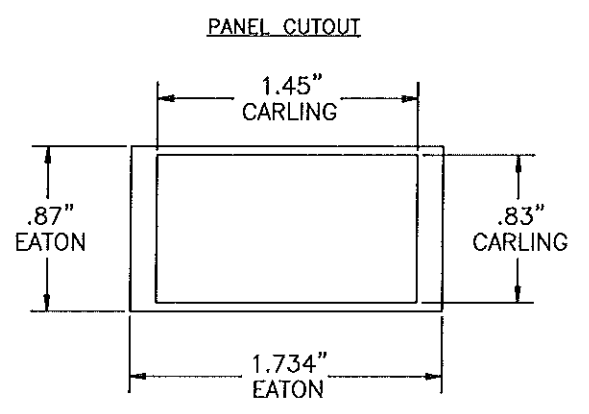
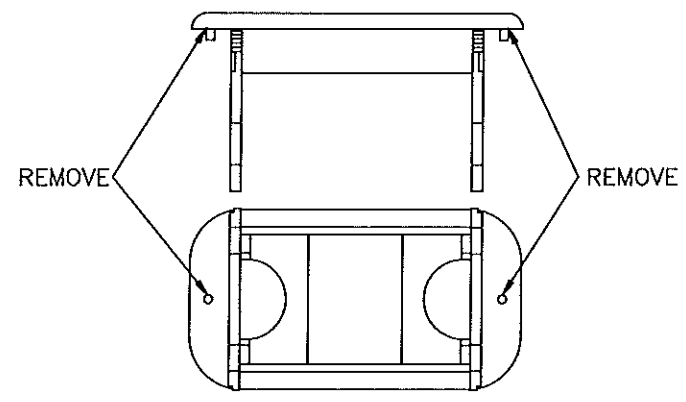


- NOTES:
- ① GROUND TO CHASSIS AT CLOSEST POINT TO MINIMIZE VOLTAGE LOSS.
 - ② P/N 116048 TO BE PURCHASED SEPARATELY
 - ③ LOCATE EC4.0 BOARD INSIDE THE VEHICLE OR IN AN ENCLOSED ELECTRICAL COMPARTMENT. DO NOT LOCATE EXTERNAL TO THE VEHICLE OR EXPOSED TO HEAT IN THE ENGINE COMPARTMENT. MARK AND DRILL HOLES. **DO NOT USE EC4.0 BOARD AS A DRILL TEMPLATE.**
 - ④ LOCATE POWER FUSES WITHIN 4 FT. OF POWER SOURCE AND BEFORE PASSING THROUGH ANY PARTITIONS. FUSES LOCATED ELSEWHERE MUST BE PRE-APPROVED BY TRANS/AIR ENGINEERING DEPARTMENT.
 - ⑤ **RISK OF FIRE.** ONLY SCREWS SUPPLIED IN HARDWARE KIT (ITEM 36) ARE PERMITTED FOR USE IN TERMINAL STRIP. DO NOT SUBSTITUTE UNLESS APPROVED BY TRANS/AIR ENGINEERING DEPARTMENT. TORQUE TERMINAL STRIP SCREWS TO 18 IN-LBS. RECOMMEND USING TOOL 816183. TERMINAL STRIP USES LOCKING SCREWS THAT SHOULD NEVER BE REUSED. WHEN SERVICING ALWAYS USE NEW HARDWARE KIT 5031232 FROM TRANS/AIR AND TIGHTEN TO 18 IN-LBS. ALWAYS REPLACE COVER AFTER INSTALLATION AND AFTER EACH TIME ANY SERVICE IS COMPLETED. ALWAYS FOLLOW SERVICE INSTRUCTIONS. CONTACT TRANS/AIR AT 1-800-673-2446.
 6. SECURE ALL WIRING AND CABLES TO MINIMIZE STRAIN AT EC4.0 BOARD CONNECTION POINTS.
 - ⑦ SWITCHES MUST BE MOUNTED IN ADJACENT PANEL CUTOUTS.
 - ⑧ USE ONLY BATTERY OR ALTERNATOR POSITIVE POST OR ADEQUATE OEM-PROVIDED STUD FOR POWER PICK-UP POINT. WHEN USING OEM-PROVIDED STUD, VERIFY OEM FEEDER TO STUD AND ANY CIRCUIT PROTECTION UPSTREAM OF STUD ARE SIZED SUFFICIENTLY FOR ADDED A/C LOAD.
 - ⑨ SNAP TERMINAL STRIP COVER IN PLACE AS SHOWN IN DETAIL B, SHEET 4, ONCE WIRE CONNECTIONS AT THE TERMINAL STRIP ARE COMPLETED.
 - ⑩ INSTALL IGNITION FUSE AS CLOSE AS POSSIBLE TO IGNITION SOURCE AND BEFORE WIRE PASSES THROUGH ANY PARTITIONS.

REVISIONS			
REV	DESCRIPTION	DATE	APPROVED
A	SEE ECN09259	11/18/09	BGC
B	SEE ECN 10054	3/12/10	BGC
C	SEE ECN11215	9/29/2011	BGC
D	SEE ECN13016	2/8/2013	BGC
E	SEE ECN 13133	8/20/13	DEW

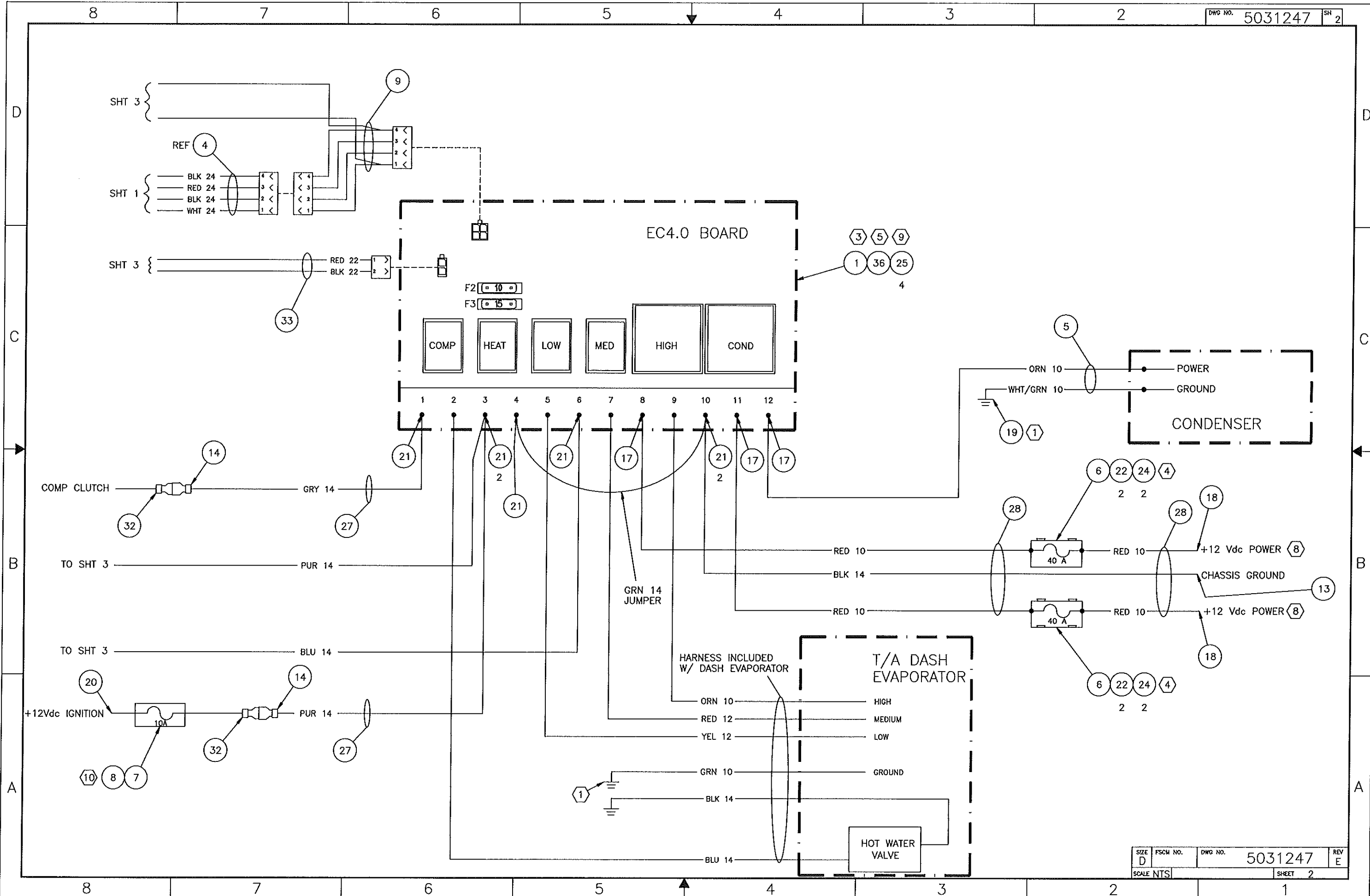
PUSHBUTTON SWITCH INSTALLATION

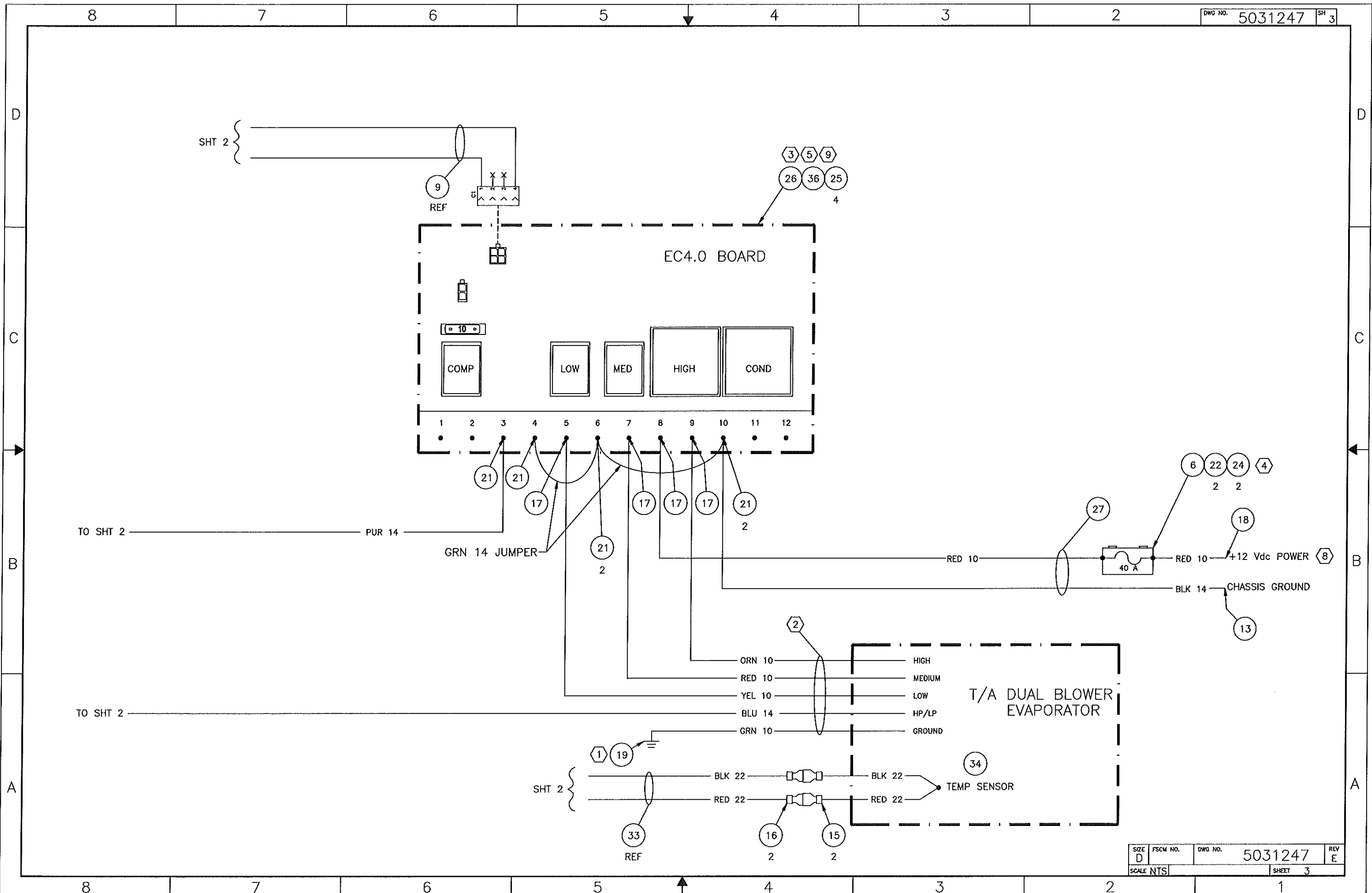
EC4.0 SWITCHES ARE SIZED TO FIT THE EXISTING ROCKER SWITCH PANEL CUTOUTS FOR EATON NGR ROCKERS AND CARLINGSWITCH CONTURA ROCKERS.
 EATON PANEL CUTOUT - EC4.0 SWITCHES SNAP IN AS-IS
 CARLINGSWITCH PANEL CUTOUT - REMOVE TABS INDICATED BELOW

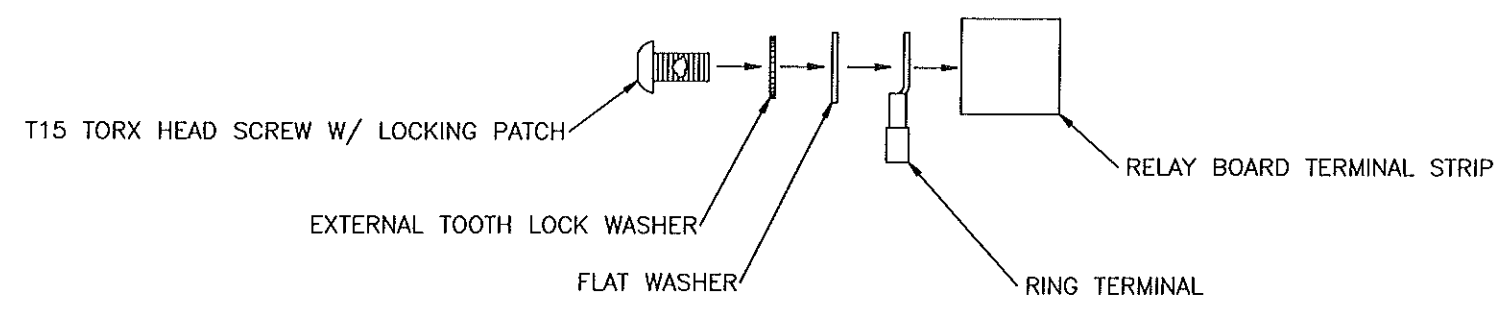


1	916151	LABELS, SWITCH, EVAPORATOR	37
2	5031232	HARDWARE KIT, TERMINAL STRIP	36
1	916097	DECAL, MANUAL, EC4.0 OPERATION	35
1	111149	SENSOR, TEMPERATURE	34
1	701441	HARNESS, TEMPERATURE SENSOR	33
2	115031	TERMINAL, FEMALE SLIP-ON, 14-16 Ga	32
20	117001	TYRAP, 6"	31
20	611045	CLAMP, 3/8	30
2ft	116004	WIRE, 14 Ga GREEN	29
15ft	119002	LOOM, 1/2	28
40ft	119005	LOOM, 3/8	27
1	701507	RELAY BOARD ASSY, EC4.0 W/O HEAT	26
28	619124	SCREW, HEX WASHER HD, #10 X 1/2, SELF DR	25
6	619125	SCREW, PAN HD, #6 X 5/8, SELF DR	24
45ft	116001	WIRE, 10 Ga RED	23
6	115016	TERMINAL, #10 RING, 10-12 Ga	22
13	115231	TERMINAL, #8 RING, 14-16 Ga	21
1	115014	TERMINAL, 1/4 RING, 14-16 Ga	20
2	115021	TERMINAL, 1/4 RING, 10-12 Ga	19
3	115196	TERMINAL, 3/8 RING, 10 Ga	18
7	115230	TERMINAL, #8 RING, 10-12 Ga	17
2	115042	TERMINAL, MALE SLIP-ON, 18-22 Ga	16
2	115029	TERMINAL, FEMALE SLIP-ON, 18-22 Ga	15
2	115041	TERMINAL, MALE SLIP-ON, 14-16 Ga	14
2	115009	TERMINAL, 5/16 RING, 14-16 Ga	13
30ft	116010	WIRE, 14 Ga BLACK	12
12ft	116023	WIRE, 14 Ga PURPLE	11
1	701464	ADAPTER, COMMUNICATION	9
1	110050-10	FUSE, MINI, 10A	8
1	110075	FUSE HOLDER, MINI, 16 Ga	7
3	701401	FUSE ASSY, 40A	6
1	701336-30	HARNESS, CONDENSER, SEALED	5
1	701434	HARNESS, COMMUNICATION	4
1	701426	SWITCH, MODE AND FAN SP CONTROL	3
1	701425	THERMOSTAT, EC4.0	2
1	701508	RELAY BOARD ASSY, EC4.0 W/ HEAT	1

QTY REQD PER ASSY	FSCN NO.	PART NO.	DESCRIPTION	MATERIAL / SPECIFICATION	ITEM NO.
PARTS LIST					
UNLESS OTHERWISE SPECIFIED: DIMENSIONS ARE IN INCHES TOLERANCES ON DECIMALS 2PL 3PL ANGLE ± ± ±					
MATERIAL:			INTERPRET DRAWING PER 000-STD-100 REMOVE BURRS AND SHARP EDGES DO NOT SCALE DRAWING		
DRAWN BY: BGC			DATE: 10/16/09		
CHECKER: <i>[Signature]</i>			DATE: <i>[Signature]</i>		
DRAWING APPROVAL: <i>[Signature]</i>			SCALE: D		
DESIGN APPROVAL: <i>[Signature]</i>			SCALE: NTS		
NEXT ASSY USED ON APPLICATION			TRANS/AIR MFG CORP ELECTRICAL INSTALLATION, EC4.0 27K DASH W/HEAT & (1) DUAL BLOWER EVAP W/O HEAT, (1) COND, (1) COMP DWG NO. 5031247 SHEET 1 of 4		

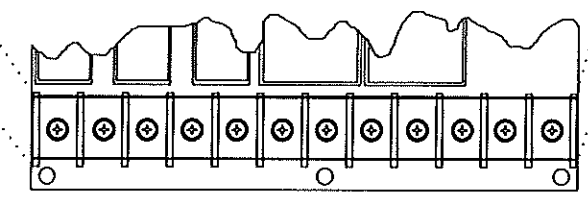






DETAIL A

WARNING Risk of fire. Terminal block uses locking screws that should never be reused. When servicing always use new hardware kit 5031232 from Trans/Air and tighten to 18 in-lbs. Always follow service instructions. Contact Trans/Air at 1-800-673-2446.



DETAIL B