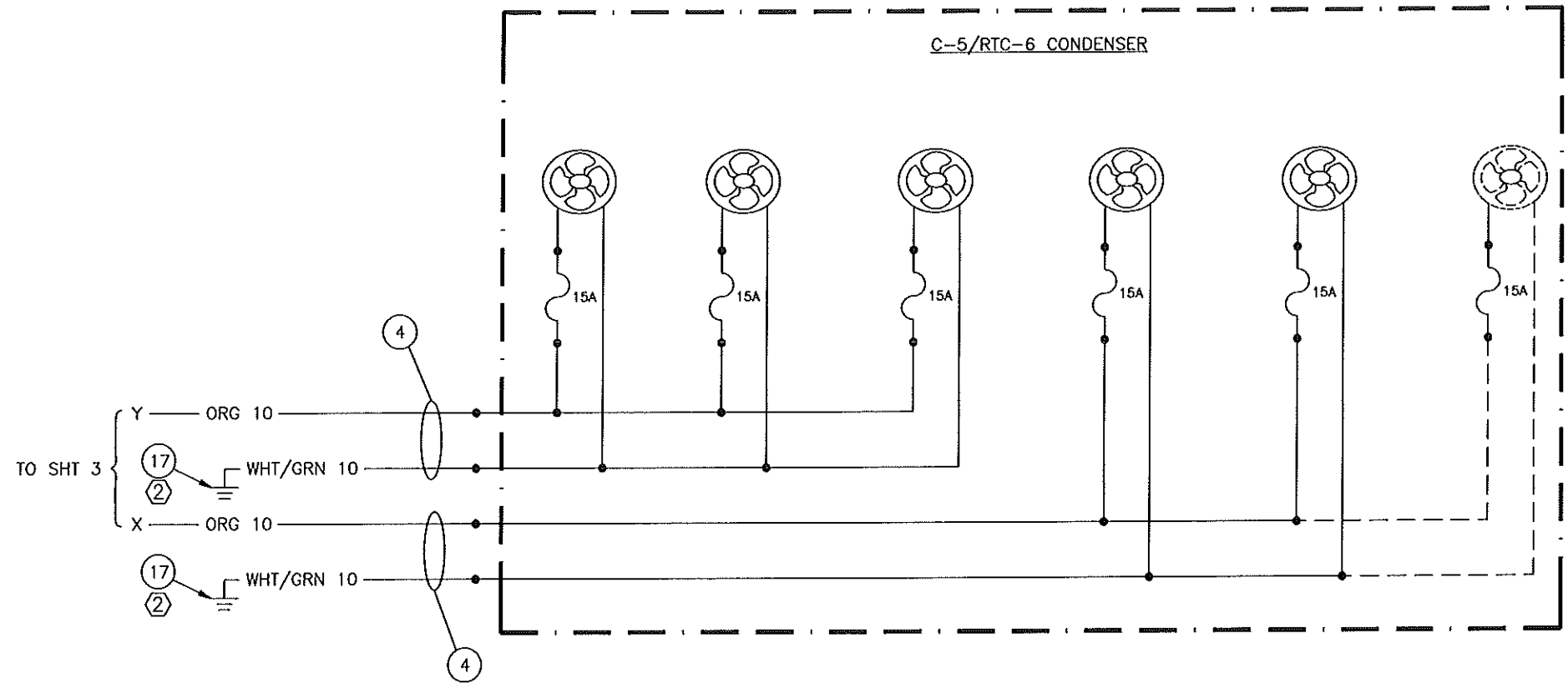


NOTES:

1. PACKAGE ALL ITEMS AND A COPY OF THIS DRAWING IN A BOX. IDENTIFY WITH PART NO. AND REV LEVEL.
2. GROUND TO CHASSIS AT CLOSEST POINT TO AVOID VOLTAGE LOSS.
3. PART NO. 116049 TO BE PURCHASED SEPARATELY.
4. FUSE HOLDER ASSEMBLIES MUST BE LOCATED WITHIN 2 FT OF POWER SOURCE & BE COMPLETELY VISIBLE.
5. REMOVE RING TERMINAL FROM POWER DISTRIBUTION HARNESS & REPLACE WITH MALE SLIP-ON TERMINAL.
6. TRANS/AIR ALTERNATOR NEGATIVE POST MUST BE GROUNDED TO VEHICLE CHASSIS.
7. INSTALL FUSE HOLDER AS CLOSE AS POSSIBLE TO POWER SOURCE.
8. CLAMPS (ITEMS 39 & 40) AND SCREWS (ITEM 12) ARE SUPPLIED TO SECURE WIRING.
9. NGR ROCKER SWITCHES CONTAIN A LAMP BETWEEN TERMINALS 7 AND 9 FOR NIGHT ILLUMINATION. CONNECT +12Vdc FROM THE HEADLAMP SWITCH TO EITHER TERMINAL 7 OR 9 AND CONNECT THE OTHER TO GROUND. USE THE SAME GAUGE WIRE AS THE HEADLAMP SIGNAL.

-01 DIGITAL THERMOSTAT
 -02 NO DIGITAL THERMOSTAT

REV	DESCRIPTION	DATE	APPROVED
D	SEE ECN 3221	7/28/04	BGC
E	SEE ECN 4192	8/11/04	SRL
F	SEE ECN14057	3/31/2014	BGC
G	SEE ECN14092	5/16/2014	BGC

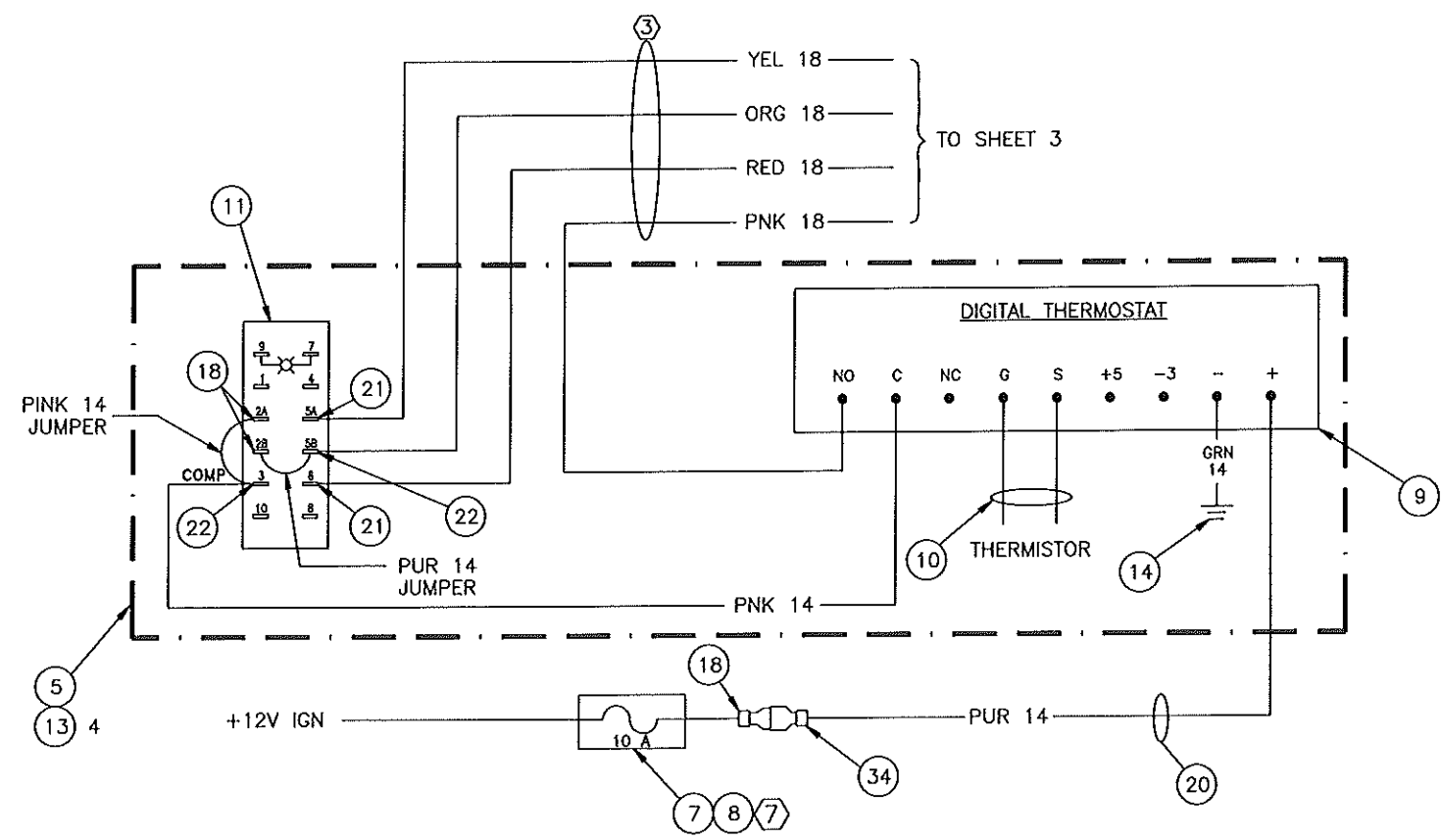


QTY REQD PER ASSY	FSCM NO.	PART NO.	DESCRIPTION	MATERIAL / SPECIFICATION	ITEM NO.
5	5	611045	CLAMP, 3/8" ID		40
5	5	611026	CLAMP, 3/4" ID		39
1	1	110050-15	FUSE, MINI, 15A		38
1	1	115036	TERMINAL, MALE, 10-12 GA		37
8	8	619125	SCREW, PAN HD, #6 X 5/8, SELF DRILL		36
4	4	115004	TERMINAL, 5/16 RING, 8 GA		35
-	1	115041	TERMINAL, MALE, 14-16 GA		34
1	1	115042	TERMINAL, MALE, 18-22 GA		33
30ft	30ft	116050	WIRE, GREEN 10 GA		32
.5ft	.5ft	116023	WIRE, PURPLE 14 GA		31
2ft	2ft	119001	LOOM, 5/8"		30
.5ft	.5ft	116021	WIRE, PINK 14 GA		29
8ft	8ft	116040	WIRE, RED 8 GA		28
20ft	20ft	116012	WIRE, YELLOW 10 GA		27
-	4ft	116004	WIRE, GREEN 14 GA		26
20ft	20ft	116001	WIRE, RED 10 GA		25
1	1	115013	TERMINAL, 5/16 RING, 10-12 GA		24
3	3	115108	TERMINAL, #10 RING, 18-22 GA		23
3	3	115035	TERMINAL, FEM, 10-12 GA		22
2	2	115029	TERMINAL, FEM, 18-22 GA		21
-	5ft	119005	LOOM, 3/8"		20
20ft	20ft	119002	LOOM, 1/2"		19
3	4	115031	TERMINAL, FEM, 14-16 GA		18
5	5	115021	TERMINAL, .25 RING, 10-12 GA		17
8	8	115016	TERMINAL, #10 RING, 10-12 GA		16
8	8	115003	TERMINAL, #10 RING, 8 GA		15
3	4	115001	TERMINAL, #10 RING, 14-16 GA		14
-	4	619040	SCREW, #4 SELF TAPPING		13
14	14	619021	SCREW, #10 SELF TAPPING		12
1	1	113044-01	SWITCH, NGR ROCKER, HI-LO-OFF		11
-	1	111058-40	SENSOR, TEMPERATURE		10
-	1	111057	THERMOSTAT, DIGITAL		9
1	2	110050-10	FUSE, MINI, 10A		8
1	2	110075	FUSE HOLDER, MINI, 16 GA		7
1	1	110076	FUSE HOLDER, MINI, 12 GA		6
-	1	701269	PLATE, SWITCH		5
2	2	701336-30	HARNESS, CONDENSER		4
1	1	701193-05	HARNESS, POWER DISTRIBUTION		3
4	4	701401	FUSE HOLDER ASSEMBLY, MIDI, BOLT-ON		2
1	1	701268	RELAY BOARD ASSY		1

UNLESS OTHERWISE SPECIFIED: DIMENSIONS ARE IN INCHES TOLERANCES ON DECIMALS 2PL 3PL ANGLE ± ± ±		INTERPRET DRAWING PER DDD-STD-100 REMOVE BURRS AND SHARP EDGES DO NOT SCALE DRAWING		TRANS/AIR MFG CORP ELECTRICAL INSTALLATION T/A-17 CONVENTIONAL, 2 SPEED NGR ROCKER SWITCH, 24 VOLT	
MATERIAL:		DRAWN BY: BGC CHECKER: JEW DATE: 00/11/28 DATE: 3-22-14	DATE: 00/11/28 DATE: 3-22-14		
NEXT ASSY USED ON APPLICATION		DESIGN APPROVAL: JMH		SIZE: D CODE: G DWG NO.: 503688 SCALE: NTS	REV: G SHEET: 1 OF 3

NOTE: THERMOSTAT AND SWITCHES SHOWN FROM REAR

-01 ONLY



-02 ONLY

