

Bill of Materials Listing

TransArctic Canada Inc.

3/3/2009
Page 1 of 1

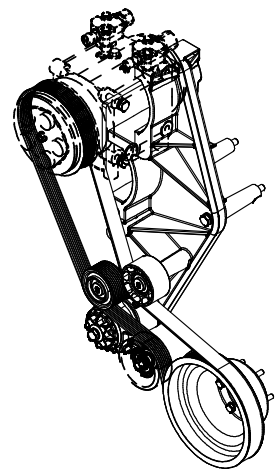
Product Number	Description	Date	Weight	Uof M	Yield
Line Component Prod#	Description	Bin Unit	Qty		
KMG81971	Mt Kit, GMC 8.1L LPG, BBCV, TM-31, '08		8/12/2008	33.13	0
10 BEL81684	Belt, 8gr, 1684mm (66.3") (5080663)		each	1	
20 BMG81002	Bkt, Cradle, TM-31, GM, LPG		each	1	
30 BMG81003	Bkt, Main, 8.1L GM, 2008		each	1	
40 PUL80076	Pulley, Idler, Backside, P8, 76d (89062)		each	1	
50 PUL81003	Pulley, Crank, Add-on, GM, 8.1L, P8		each	1	
60 PUL81074	Pulley, Idler, Frontside, P8,74d (89103)		each	1	
70 TEN80005	Tenr, HD Spring, BackSide, CCW (89430)		each	1	
80 KBG81970	Bag Kit, Fasteners, KMG81970/1		each	1	

Bill of Materials Listing

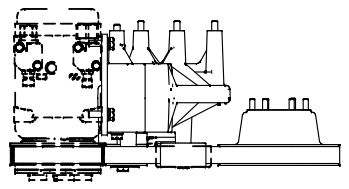
TransArctic Canada Inc.

3/10/2009
Page 1 of 1

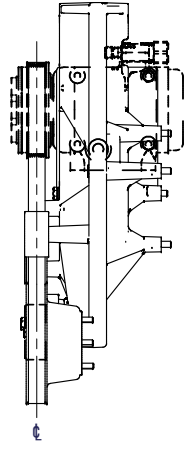
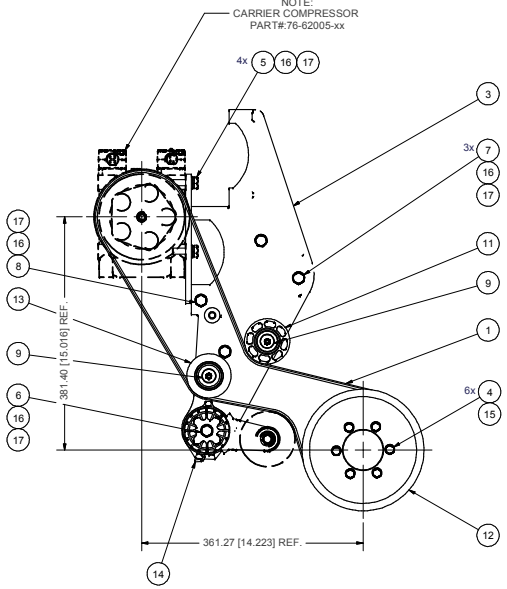
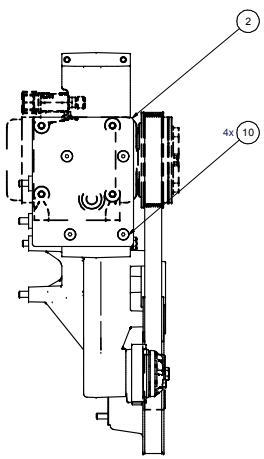
Product Number	Description	Date	Weight	Uof M	Yield
Line Component Prod#	Description	Bin Unit	Qty		
KBG81970	Bag Kit, Fasteners, KMG81970/1	8/20/2008	1.38		0
10	BTC10035				
	Bolt, Hex, 10 x 1.5 x 35mm, 10.9, Plt,FT			each	4
20	CSF08031				
	Capscrew, FH, 8 x 1.25 x 30mm, 10.9,Plt			each	4
30	BTC10130				
	Bolt, Hex, 10 x 1.5 x 130mm, 10.9, Plt			each	3
40	BTC10180				
	Bolt, Hex, 10 x 1.5 x 180mm, 10.9, Plt			each	1
50	BTS10001				
	Bolt, Shoulder, 10mm (89064)			each	2
60	WFA10000				
	Washer, Flat, 10mm, 8.8, Plt			each	9
70	WLA10000				
	Washer, Lock, 10mm, 8.8, Plt			each	9
80	BTC10090				
	Bolt, Hex, 10 x 1.5 x 90mm, 10.9, Plt			each	1
90	BTC08030				
	Bolt, Hex, 8 x 1.25 x 30mm, 10.9, Plt,FT			each	6
100	WFA08000				
	Washer, Flat, 8mm, 8.8, Plt			each	6



ISOMETRIC VIEW



NOTE:
CARRIER COMPRESSOR
PART#: 76-62005-xx



NOTES:
1) USE SERVICABLE THREADLOCKER ON ALL FASTENERS TO ENGINE COMPONENTS AND TORQUE ALL BOLTS TO S.A.E. SPECIFICATIONS.
2) SEE "TRANSARGTIC A/C COMPRESSOR MOUNT INSTALLATION DISCLAIMER".

ITEM	QTY	U/M	PART NUMBER	DESCRIPTION
17	9	EACH	WLA10000	WASHER, LOCK, 10mm, 8.8, PLT
16	9	EACH	WFA010000	WASHER, FLAT, 10mm, 8.8, PLT
15	6	EACH	WFA08000	WASHER, FLAT, 8mm, 8.8, PLT
14	1	EACH	TEN80005	TENR, HD SPRING, BACKSIDE, CCW (89430)
13	1	EACH	PUL81074	PULLEY, IDLER, FRONT SIDE, P8, 74d x 39w
12	1	EACH	PUL81003	PULLEY, CRANK, ADD-ON, GM, 8.1L, P8
11	1	EACH	PUL80076	PULLEY, IDLER, BACKSIDE, P8, 76D, 39W
10	4	EACH	CSF08031	CAPSCREW, FH, 8 x 1.25 x 30mm, 10.9, PLT
9	2	EACH	BTS10001	BOLT, SHOULDER, 10mm (IDLER PULLEY)
8	1	EACH	BTC10180	BOLT, HEX, 10 x 1.5 x 180mm, 10.9, PLT
7	3	EACH	BTC10130	BOLT, HEX, 10 x 1.5 x 130mm, 10.9, PLT
6	1	EACH	BTC10090	BOLT, HEX, 10 x 1.5 x 90mm, 10.9, PLT
5	4	EACH	BTC10035	BOLT, HEX, 10 x 1.5 x 35mm, 10.9, PLT
4	6	EACH	BTC08030	BOLT, HEX, 8 x 1.25 x 30mm, 10.9, PLT
3	1	EACH	BMG81003	BKT, MAIN, 8.1L GM, 2008
2	1	EACH	BMG81002	BKT, CRADLE, TM-31, GM, LPG
1	1	EACH	BEL81684	BELT, BGR, 1684mm (66.3") (S080663)

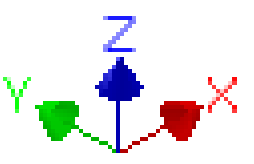
BILL OF MATERIALS

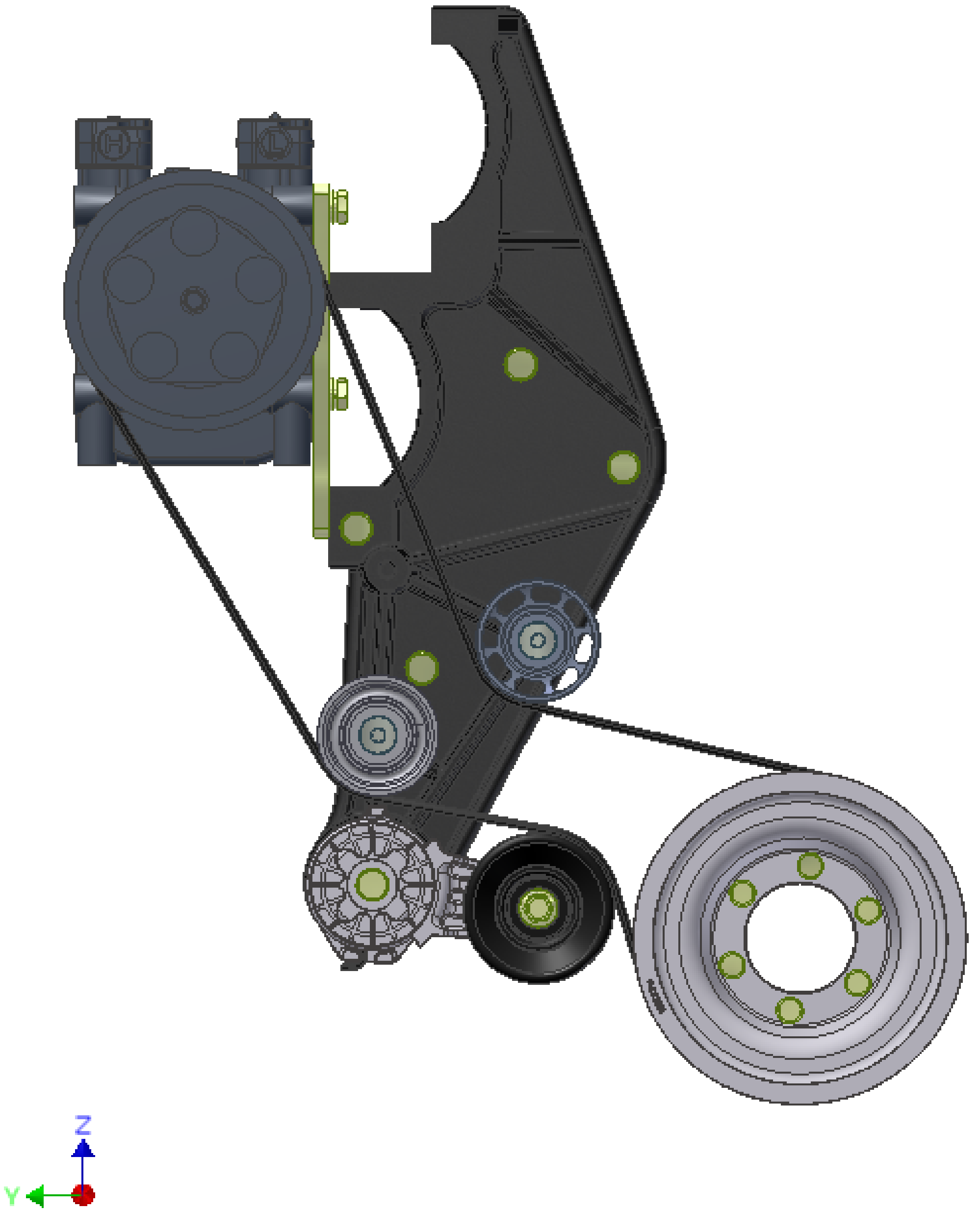
DRAWN	Jose Rodriguez	11/19/2008	TRANSARGTIC INC.		
CHECKED	James Stewart	11/19/2008			
REV	ECN	DESCRIPTION	DATE	BY	TITLE
			11/19/2008	James Stewart	MT KIT, GMC 8.1L LPG, BBCV, TM-31, '08
			11/19/2008	Ron Ingram	
			11/19/2008	Dale Mason	
UNSPECIFIED TOLERANCES:			ALL DIM	PROF	
ONE DECIMAL PLACE	10	AS SHOWN			
FRACTIONAL	1/32	AS SHOWN			
DRAWING UNIT OF MEASURE			MM (INCH)	SCALE	1:4
DWG NO					REV
KMG81971					0
SHEET					1 OF 1

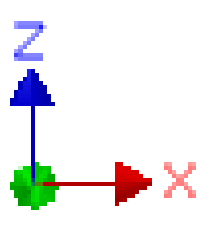
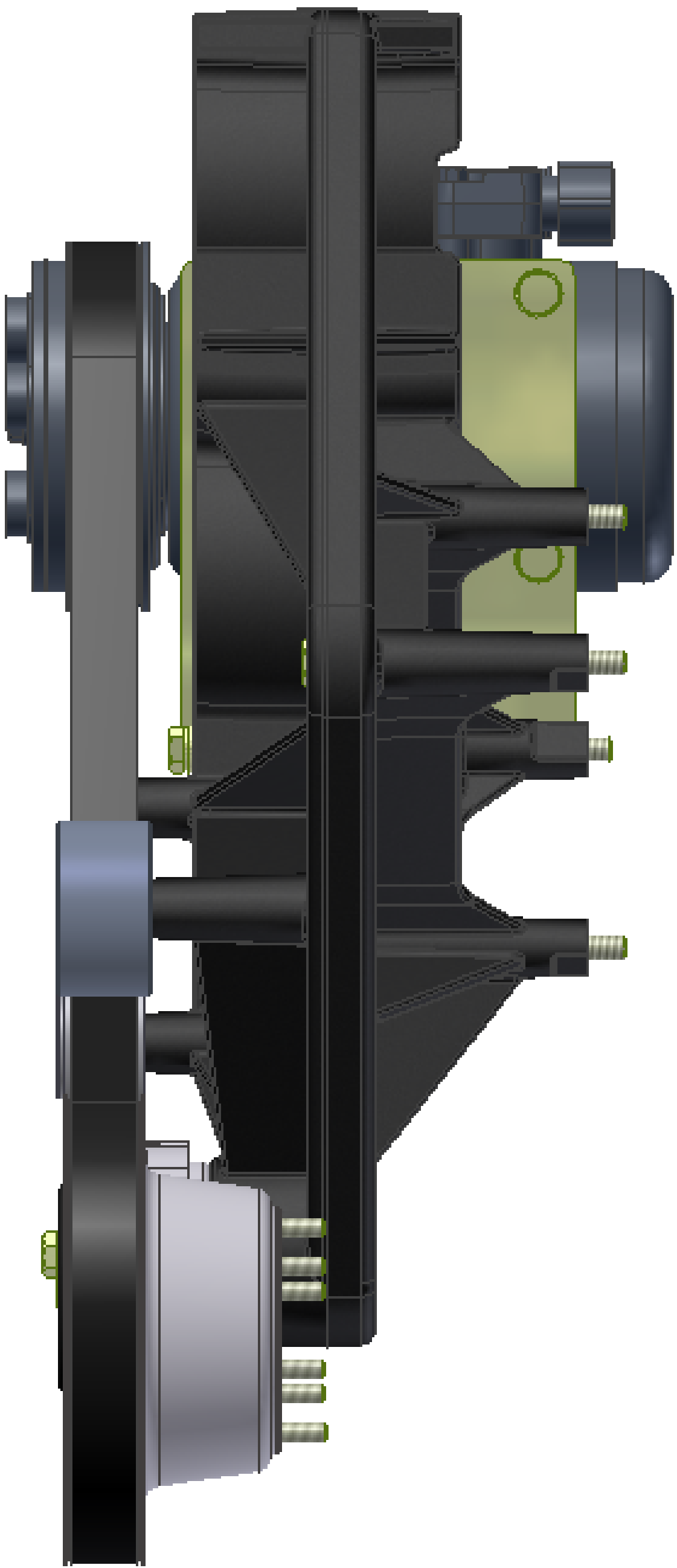
THIS DRAWING CONTAINS PROPRIETARY CONFIDENTIAL INFORMATION OWNED BY TRANSARGTIC CANADA INC. THE DOCUMENT AND THE INFORMATION IT CONTAINS ARE NOT TO BE USED, DISCLOSED OR REPRODUCED WITHOUT EXPRESS WRITTEN PERMISSION OF THE COMPANY.

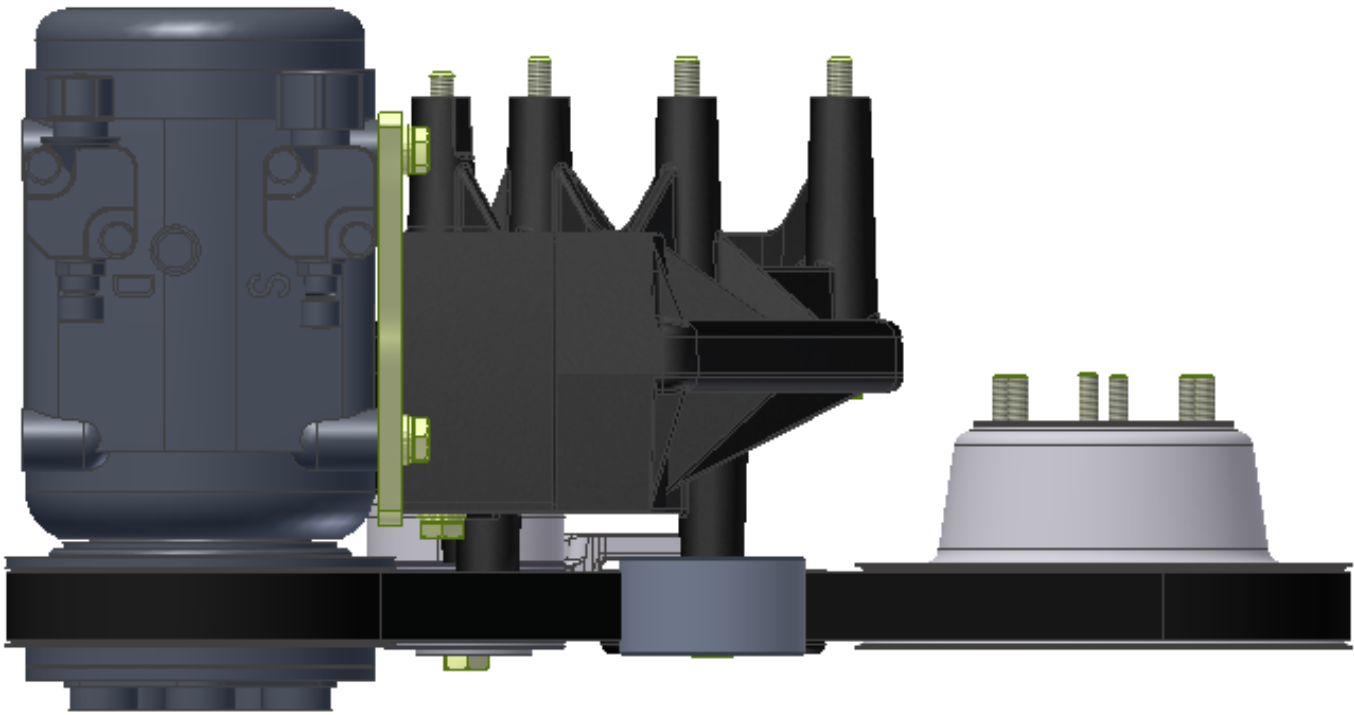
UNSPECIFIED TOLERANCES: ALL DIM PROF
ONE DECIMAL PLACE 10 AS SHOWN
FRACTIONAL 1/32 AS SHOWN

THIRD ANGLE PROJECTION









TransArctic A/C Compressor Mount Installation Disclaimer

All compressor mounts should be installed by qualified and trained personnel using proper tools and equipment in safe working conditions following industry standard guidelines for motor vehicle service and repair.

The installer of any compressor mount purchased from TransArctic must undertake all responsibility of issues arising from that compressor bracket being installed on any vehicle. As well as insure that a **proper and sufficient ground** is established between the compressors' clutches and the vehicle's engine. Mount functionality, operation and durability can all be compromised by an incompetent installation.

Due to the many different situations, parameters and application criteria, which are beyond the compressor mount manufacturer's control, TransArctic does not warrant design, durability, or operational functionality of any compressor mount improperly installed by another party.

With no implied guarantees it is the mount installer's strict responsibility to determine safety and functionality, of the compressor mount, at the time of installation.

Please contact TransArctic with any issue arising from installation so we may better improve the product. If you have any reservations about the compressor mount integrity contact TransArctic immediately at 1-877-COLD-AIR.