

# Bill of Materials Listing

TransArctic Canada Inc.

5/26/2005

Page 1 of 1

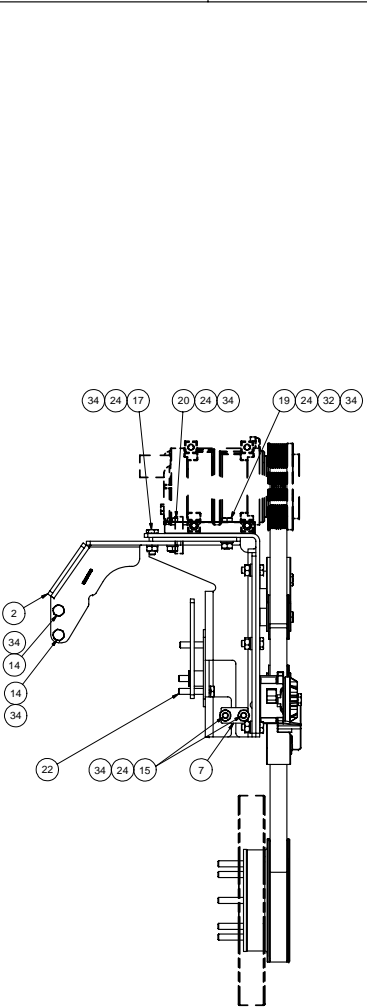
Product Number		Description	Bin	Date	Weight	Uof M	Yield
Line	Component Prod#	Description		Unit	Qty		
<b>KMK72691</b>		<b>Mt Kit, C7, HDX ER, 2 TM-21, P8</b>		<b>10/14/2003</b>	<b>55.41</b>		<b>0</b>
10	BEL82590	Belt, 8gr, 2590mm (102") (5081020)		each	1		
20	BMK70050	Bkt, Main, Hat, Assy, C7, HDX ER, P8		each	1		
30	BMK70023	Bkt, Main, Weldmt, C7, A3RE, P8		each	1		
40	BMK70008	Bkt, Brace, RR, Support, C7, BBRE, P8		each	1		
42	BMK70053	Bkt, Spacer, Pl, C7, HDX, P8		each	1		
44	BMK70054	Bkt, Tie, Pl, C7, HDX, P8		each	1		
60	BMS60003	Bkt, Cradle, L/H, TM-21, 3126, P8		each	2		
70	BMS60004	Bkt, Cradle, R/H, TM-21, 3126, P8		each	2		
75	BMK70026	Bkt, Spacer, Pl, C7, 12" Damper, 3/16"Thk		each	1		
80	PUL71008	Pulley, Crank, C7, P8, 8" dia, .5"		each	1		
90	PUL81074	Pulley, Idler, Frontside, P8, 74d (89103)		each	2		
100	PUL80076	Pulley, Idler, Backside, P8, 76d (89062)		each	1		
102	HOR02002	Hose, Rad, 2" ID, 90 deg		each	1		
104	CLP06001	Clamp, Gear, #6, 3/4 (19mm), S		each	2		
106	HOF03860	Hose, Fuel, 3/8" ID x 60"lg.		each	1		
110	TEN80002	Tenr, HD Spring, BackSide, CCW (89200A)		each	1		
130	SPC19010	Spacer, Col, Drl, 19mm x 28.58o x 10.32i		each	3		
140	SLV17010	Sleeve, Pulley, 16.9o x 22.23mm x 10.32i		each	3		
142	SPC28610	Spacer, Col, Drl, 28.6mm x 25.4o x 10.3i		each	1		
160	KBK72691	Bag Kit, Fasteners, KMK72691		each	1		

# Bill of Materials Listing

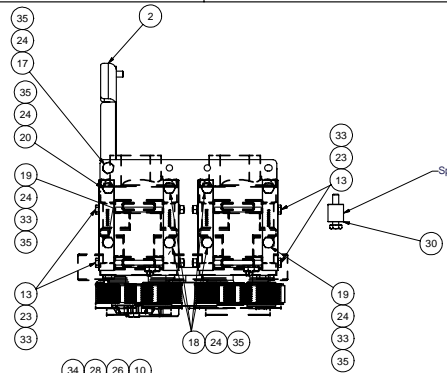
TransArctic Canada Inc.

9/7/2006  
Page 1 of 1

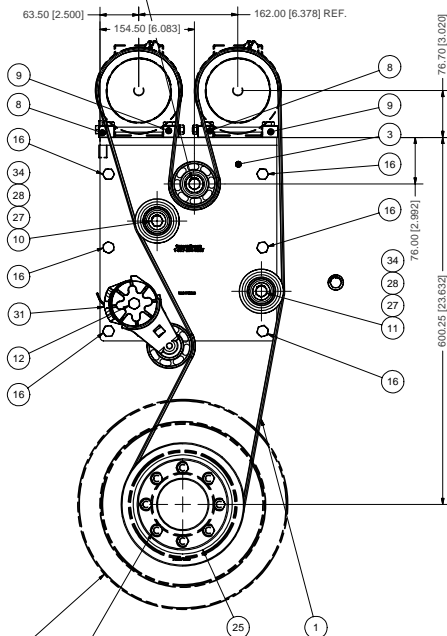
Product Number		Description	Bin	Date	Weight	Uof M	Yield
Line	Component Prod#	Description		Unit	Qty		
<b>KBK72691</b>		<b>Bag Kit, Fasteners, KMK72691</b>		<b>9/13/2003</b>	<b>4.23</b>		<b>0</b>
10	BTC10065	Bolt, Hex, 10 x 1.5 x 65mm, 10.9, Plt		each	8		
15	BTC10050	Bolt, Hex, 10 x 1.5 x 50mm, 10.9, Plt		each	5		
17	BTC10045	Bolt, Hex, 10 x 1.5 x 45mm, 10.9, Plt		each	3		
20	BTC10040	Bolt, Hex, 10 x 1.5 x 40mm, 10.9, Plt		each	4		
25	BTC10035	Bolt, Hex, 10 x 1.5 x 35mm, 10.9, Plt		each	1		
40	BTC10030	Bolt, Hex, 10 x 1.5 x 30mm, 10.9, Plt		each	6		
45	BTC10025	Bolt, Hex, 10 x 1.5 x 25mm, 10.9, Plt		each	2		
60	BTC10020	Bolt, Hex, 10 x 1.5 x 20mm, 10.9, Plt		each	2		
80	BTA10080	Bolt, Hex, 10 x 1.5 x 80mm, 8.8, Plt		each	1		
90	BTA10075	Bolt, Hex, 10 x 1.5 x 75mm, 8.8, Plt		each	1		
95	BTA10070	Bolt, Hex, 10 x 1.5 x 70mm, 8.8, Plt		each	2		
100	BTC08140	Bolt, Hex, 8 x 1.25 x 140mm, 10.9, Plt		each	4		
110	CSF10051	Capscrew, FH, 10 x 1.5 x 50mm, 10.9,Plt		each	1		
130	NTA10000	Nut, Hex, 10 x 1.5, 8.8, Plt		each	19		
140	NTA08000	Nut, Hex, 8 x 1.25, 8.8, Plt		each	4		
150	WFA10000	Washer, Flat, 10mm, 8.8, Plt		each	10		
170	WLA10000	Washer, Lock, 10mm, 8.8, Plt		each	27		
180	WLA08000	Washer, Lock, 8mm, 8.8, Plt		each	4		



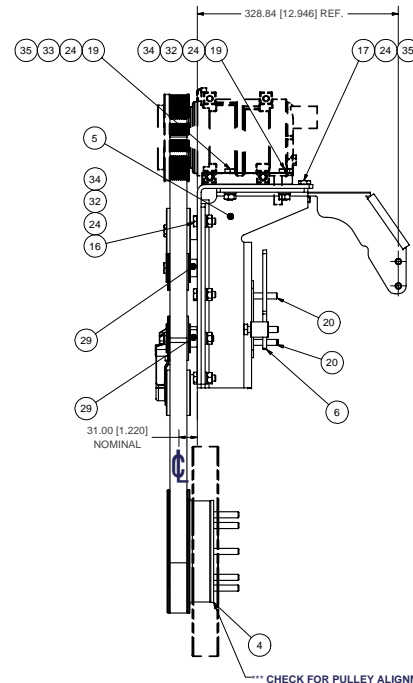
REF: DAMPER Ø342.90 [13.500]  
(NORMALLY DOES NOT GET ITEM# 6 INSTALLED.)  
\*\*\* CHECK PULLEY ALIGNMENTS. \*\*\*



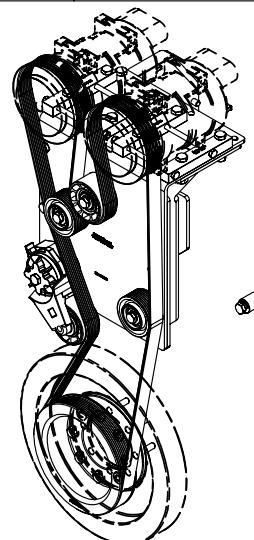
Space Rad Hose support away from engine using SPC28610



21 X 8 PLCS.  
-TORQUE BOLTS TO 53 FT\* LBS.  
- USE (8) EXISTING FLAT WASHERS FOR 13 1/2" DIA. DAMPER.  
- REMOVE (8) EXISTING FLAT WASHERS FOR 12" DIA. DAMPER/SPACER PLATE ASSY.



\*\*\* CHECK FOR PULLEY ALIGNMENTS. \*\*\*  
AS REQUIRED, REPLACE EXISTING SPACER PLATE WITH THE ONE SUPPLIED. (BMK70026)  
(\*\*NOTE: USUALLY ONLY FOR 12" DIA. DAMPER AND/OR 275 HP ENGINES.\*\*)



ISOMETRIC VIEW

ITEM	QTY	UM	PART NUMBER	DESCRIPTION
34	27	EACH	WLA10000	WASHER, LOCK, 10mm, 8.8, PLT
33	4	EACH	WLA08000	WASHER, LOCK, 8mm, 8.8, PLT
32	10	EACH	WFA10000	WASHER, FLAT, 10mm, 8.8, PLT
31	1	EACH	TEN80002	TENR, HD SPRING, BACKSIDE, CCW
30	1	EACH	SPC28610	SPACER, COL, DRL, 28.6mm x25.4o x10.3i
29	3	EACH	SPC19010	SPACER, COL, DRL, 19.05mm x25.4o x10.57i
28	3	EACH	SLV17010	SLEEVE, PULLEY, 16.9o x 22.23mm x 10.32i
27	2	EACH	PUL161074	PULLEY, IDLER, FRONTSIDE, P8, 74d x 39w
26	1	EACH	PUL80078	PULLEY, IDLER, BACKSIDE, P8, 76d, 39W
25	1	EACH	PUL71008	PULLEY, CRANK, C7, P8, 8" DIA., 5"
24	19	EACH	NTA10000	NUT, HEX, 10 x 1.5, 8.8, PLT
23	4	EACH	NTA08000	NUT, HEX, 8 x 1.25, 8.8, PLT
22	1	EACH	CSF10051	CAPSCREW, FH, 10 x 1.5 x 50mm, 10.9, PLT
21	8	EACH	BTC10065	BOLT, HEX, 10 x 1.5 x 65mm, 10.9, PLT
20	5	EACH	BTC10050	BOLT, HEX, 10 x 1.5 x 50mm, 10.9, PLT
19	3	EACH	BTC10045	BOLT, HEX, 10 x 1.5 x 45mm, 10.9, PLT
18	4	EACH	BTC10040	BOLT, HEX, 10 x 1.5 x 40mm, 10.9, PLT
17	1	EACH	BTC10035	BOLT, HEX, 10 x 1.5 x 35mm, 10.9, PLT
16	6	EACH	BTC10030	BOLT, HEX, 10 x 1.5 x 30mm, 10.9, PLT
15	2	EACH	BTC10025	BOLT, HEX, 10 x 1.5 x 25mm, 10.9, PLT
14	2	EACH	BTC10020	BOLT, HEX, 10 x 1.5 x 20mm, 10.9, PLT
13	4	EACH	BTC08140	BOLT, HEX, 8 x 1.25 x 140mm, 10.9, PLT
12	1	EACH	BTA10080	BOLT, HEX, 10 x 1.5 x 80mm, 8.8, PLT
11	1	EACH	BTA10075	BOLT, HEX, 10 x 1.5 x 75mm, 8.8, PLT
10	2	EACH	BTA10070	BOLT, HEX, 10 x 1.5 x 70mm, 8.8, PLT
9	2	EACH	BMS60004	BKT, CRADLE, R/H, TM-21, 3126, P8
8	2	EACH	BMS60003	BKT, CRADLE, L/H, TM-21, 3126, P8
7	1	EACH	BMK70054	BKT, TIE, PL, C7, HDX, P8
6	1	EACH	BMK70053	BKT, SPACER, PL, C7, HDX, P8
5	1	EACH	BMK70050	BKT, MAIN, HAT, ASSY, C7, BBRE, P8
4	1	EACH	BMK70026	BKT, SPACER, PL, C7, 12" DAMPER, 3/16" THK
3	1	EACH	BMK70023	BKT, MAIN, WELDMT, C7, BBRE, P8
2	1	EACH	BMK70008	BKT, BRACE, RR, SUPPORT, C7, BBRE, P8
1	1	EACH	BEL2590	BELT, 8 GR, 2590mm (102") (5081020)

BILL OF MATERIALS

DRAWN	Val Jakowlew	9/28/2005	
CHECKED	Ron Ingram	9/28/2005	
REVISION	DATE	BY	
0	RELEASED TO PRODUCTION	9/28/2005	VAL
1		9/28/2005	JAMES
2		9/28/2005	VAL
3		9/28/2005	DATE

**TRANSARGTIC INC.**  
TITLE

MT KIT, C7, HDX-ER, 2 TM-21, P8

SIZE	DWG NO	REV
D	KMK72691	0
SCALE	1:4	SHEET 1 OF 1

NOTES:  
1) USE SERVICABLE THREADLOCKER ON ALL FASTENERS TO ENGINE COMPONENTS AND TORQUE ALL BOLTS TO S.A.E. SPECIFICATIONS.  
2) SEE "TRANSARGTIC A/C COMPRESSOR MOUNT INSTALLATION DISCLAIMER".

UNSPECIFIED TOLERANCES:	MM (INCH)
ONE DECIMAL PLACE (X0)	0.1 (0.004)
TWO DECIMAL PLACE (XX)	0.05 (0.002)
THREE DECIMAL PLACE (XXX)	0.025 (0.001)
FUNCTIONAL FITS:	ANGULAR ± 30°



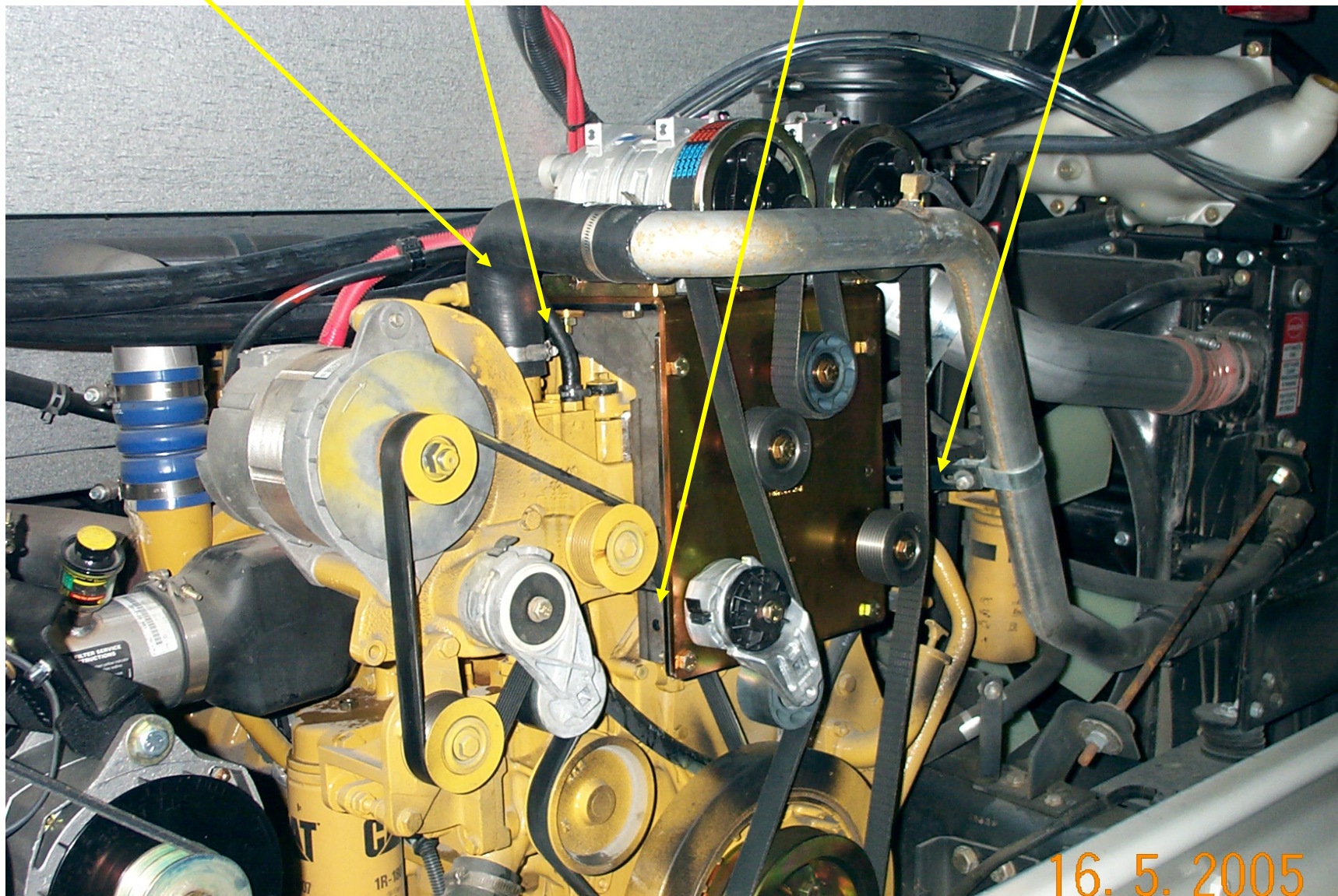
DRAWING UNIT OF MEASURE: MM (INCH)

Change  
Rad Hose

Change  
Overflow Hose

Attach BMK70054 after  
OEM Belt re-installed

Space this bracket  
with SPC28610



16. 5. 2005

## **TransArctic A/C Compressor Mount Installation Disclaimer**

Due to the many different situations, parameters and application criteria, which are beyond the compressor mount manufacturer's control, TransArctic does not warrant design, durability, or operational functionality of any compressor mount installed by another party.

The installer of any compressor mount purchased from TransArctic must undertake all responsibility of issues arising from that compressor bracket being installed on any vehicle. Mount functionality, operation and durability can all be compromised by an incompetent installation.

All compressor mounts should be installed by qualified and trained personnel using proper tools and equipment in safe working conditions following industry standard guidelines for motor vehicle service and repair.

**With no implied guarantees it is the mount installer's strict responsibility to determine safety and functionality, of the compressor mount, at the time of installation.**

Please contact TransArctic with any issue arising from installation so we may better improve the product. If you have any reservations about the compressor mount integrity contact TransArctic immediately at 1-877-COLD-AIR.