

# Bill of Materials Listing

TransArctic Canada Inc.

11/5/2009

Page 1 of 1

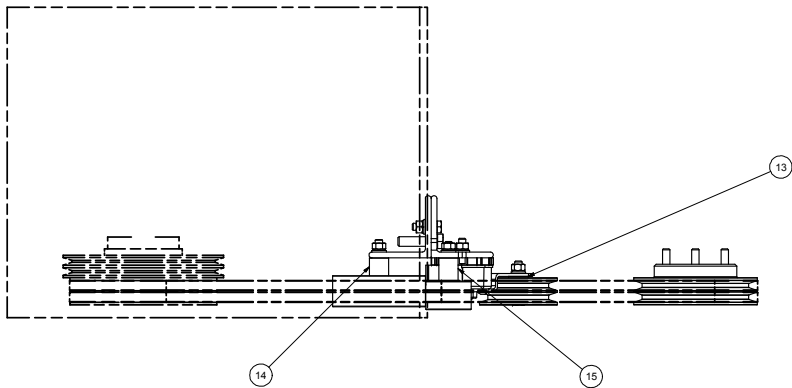
Product Number		Description	Bin	Date	Weight	Uof M	Yield
Line	Component Prod#	Description		Unit	Qty		
<b>KMC84193</b>		<b>Mt Kit, ISC, HDX, O5G/K, 2B, 8" Cr, '08</b>		<b>11/6/2007</b>	<b>52.05</b>		<b>0</b>
10	BMK70044	Bkt, Angle, Vert, Weldmt, HDX, C7		each	1		
20	BMK70049	Bkt, Angle, HOR, HDX, C7		each	1		
30	PUL83004	Pulley, Crank, ISC, 8.3L, 2B/X, 8", '08		each	1		
40	PUA06001	Pulley, Assy, Idler, B/S, 6", Stl, Plt		each	1		
50	PUA05012	Pulley, Assy, Idler, B/BX gr, 5", STL, Plt		each	1		
60	PUL80074	Pulley, Idler, B/S, Wide, 76d (89102)		each	1		
70	TEN00003	Tenr, Spring, Un-Direct, 90d, 1/2 x 4.5"		each	1		
80	SLV17012	Sleeve, Pulley, 16.9o x 22.23mm x 12.32i		each	3		
90	SCD12912	Spacer, Col, Drl, 12.9 mm x 31.8o x 12.0i		each	1		
100	SCD42512	Spacer, Col, Drl, 42.5mm x 34.9o x 12.3i		each	1		
110	SCD46012	Spacer, Col, Drl, 46mm x 34.9o x 12.3i		each	1		
120	KBC84193	Bag Kit, Fasteners, KMC84193		each	1		

# Bill of Materials Listing

TransArctic Canada Inc.

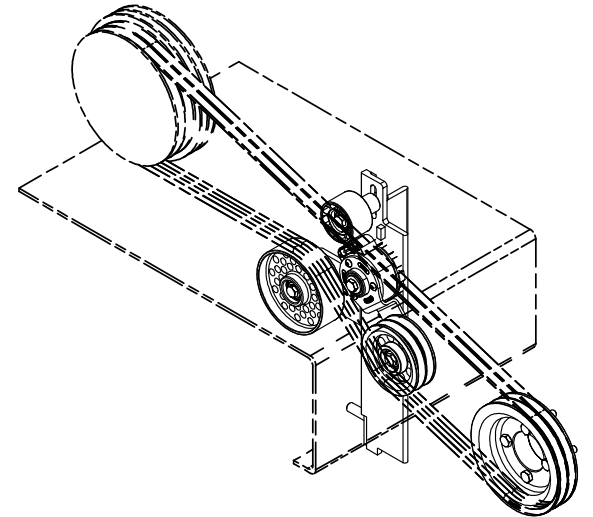
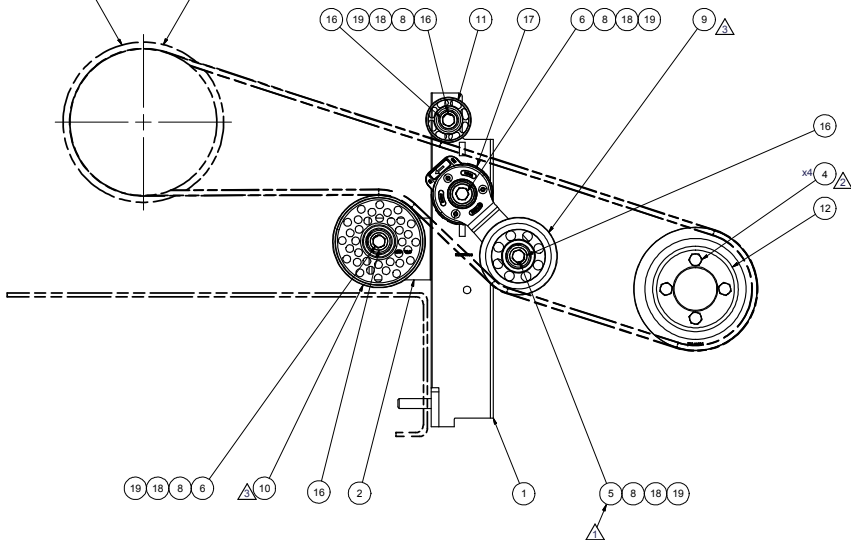
9/15/2009  
Page 1 of 1

Product Number	Description	Date	Weight	Uof M	Yield
Line    Component Prod#	Description	Bin                    Unit	Qty		
<b>KBC84193</b>	<b>Bag Kit, Fasteners, KMC84193</b>		<b>5/12/2005</b>	<b>1.99</b>	<b>0</b>
10 BTC12065	Bolt, Hex, 12 x 1.75 x 65mm, 10.9, Plt	each	1		
20 BTC12100	Bolt, Hex, 12 x 1.75 x 100mm, 10.9, Plt	each	3		
30 BTC12040	Bolt, Hex, 12 x 1.75 x 40mm, 10.9,Plt,FT	each	2		
35 BTC12060	Bolt, Hex, 12 x 1.75 x 60mm, 10.9,Plt,FT	each	4		
40 BTQ10250	Bolt, Hex, 5/8-11unc, 2.5", 8. PLT	each	1		
50 NTA12000	Nut, Hex, 12 x 1.75, 8.8, Plt	each	6		
60 WFA12000	Washer, Flat, 12mm, 8.8, Plt	each	6		
70 WLA12000	Washer, Lock, 12mm, 8.8, Plt	each	6		

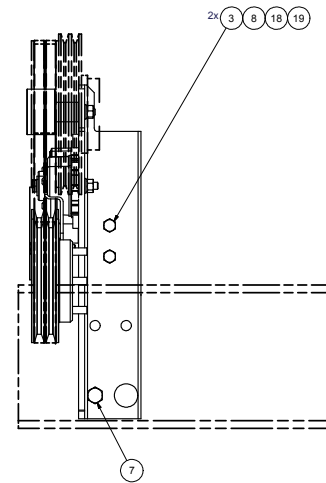


NOTE:  
CARRIER COMPRESSOR  
PART#: 68PD524-204-xx  
(FOR O5K COMPRESSOR MODEL)

NOTE:  
CARRIER COMPRESSOR  
PART#: 68PD541-124-xx  
(FOR O5G COMPRESSOR MODEL)



ISOMETRIC VIEW



- NOTES:  
1) USE SERVICABLE THREADLOCKER ON ALL FASTENERS TO ENGINE COMPONENTS AND TORQUE ALL BOLTS TO S.A.E. SPECIFICATIONS.  
2) SEE "TRANSARGTIC A/C COMPRESSOR MOUNT INSTALLATION DISCLAIMER".

ITEM	QTY	U/M	PART NUMBER	DESCRIPTION
19	6	EACH	WLA12000	WASHER, LOCK, 12mm, 8.8, PLT
18	6	EACH	WFA12000	WASHER, FLAT, 12mm, 8.8, PLT
17	1	EACH	TEN00003	TENR, SPRING, UN-DIRECT, 90d, 1/2 x 4.5"
16	3	EACH	SLV17012	SLEEVE, PULLEY, 16.90 x 22.23 mm x12.19i
15	1	EACH	SCD46012	SPACER, COL, DRL, 46mm x 31.80 x 12.0i
14	1	EACH	SCD42512	SPACER, COL, DRL, 42.5mm x 31.80 x 12.0i
13	1	EACH	SCD12912	SPACER, COL, DRL, 12.9 mm x 31.80 x 12.0i
12	1	EACH	PUL83004	PULLEY, CRANK, ISC, 8.3L, 2B/X, 8", '08
11	1	EACH	PUL80074	PULLEY, IDLER, BACKSIDE, P8, 74D, 46.27W
10	1	EACH	PJA06001	PULLEY, ASSY, IDLER, B/S, 6", STL, PLT
9	1	EACH	PJA05012	PULLEY, ASSY, IDLER, B/BX gr, 9" STL, PLT
8	6	EACH	NTA12000	NUT, HEX, 12 x 1.75, 8.8, PLT
7	1	EACH	BTQ10250	BOLT, HEX, 5/8-11UNC, 2.50", 8, PLT
6	3	EACH	BTC12100	BOLT, HEX, 12 x 1.75 x 100mm, 10.9, PLT
5	1	EACH	BTC12065	BOLT, HEX, 12 x 1.75 x 65mm, 10.9, PLT
4	4	EACH	BTC12060	BOLT, HEX, 12 x 1.75 x 60mm, 10.9, PLT
3	2	EACH	BTC12040	BOLT, HEX, 12 x 1.75 x 40mm, 10.9, PLT
2	1	EACH	BMK70049	BKT, ANGLE, HOR, HDX, C7
1	1	EACH	BMK70044	BKT, ANGLE, VERT, WELDMT, HDX, C7

Bills of Material			
ITEM	QTY	U/M	DESCRIPTION
19	6	EACH	WLA12000
18	6	EACH	WFA12000
17	1	EACH	TEN00003
16	3	EACH	SLV17012
15	1	EACH	SCD46012
14	1	EACH	SCD42512
13	1	EACH	SCD12912
12	1	EACH	PUL83004
11	1	EACH	PUL80074
10	1	EACH	PJA06001
9	1	EACH	PJA05012
8	6	EACH	NTA12000
7	1	EACH	BTQ10250
6	3	EACH	BTC12100
5	1	EACH	BTC12065
4	4	EACH	BTC12060
3	2	EACH	BTC12040
2	1	EACH	BMK70049
1	1	EACH	BMK70044

3	WAS	PLA05000	PJAG5002	11/18/2009	JRR
2	WAS	DESIGN	QTY: 61	6/15/2009	JRR
1	TITLE	DESCRIPTION	REVISED	7/26/2009	JRR
0	RELEASED TO PRODUCTION			7/22/2009	JRR
REV	ECN	DESCRIPTION	DATE	BY	
				James Stewart	1/22/2009
				Val Jakowlew	1/22/2009
				Dale Mason	1/22/2009

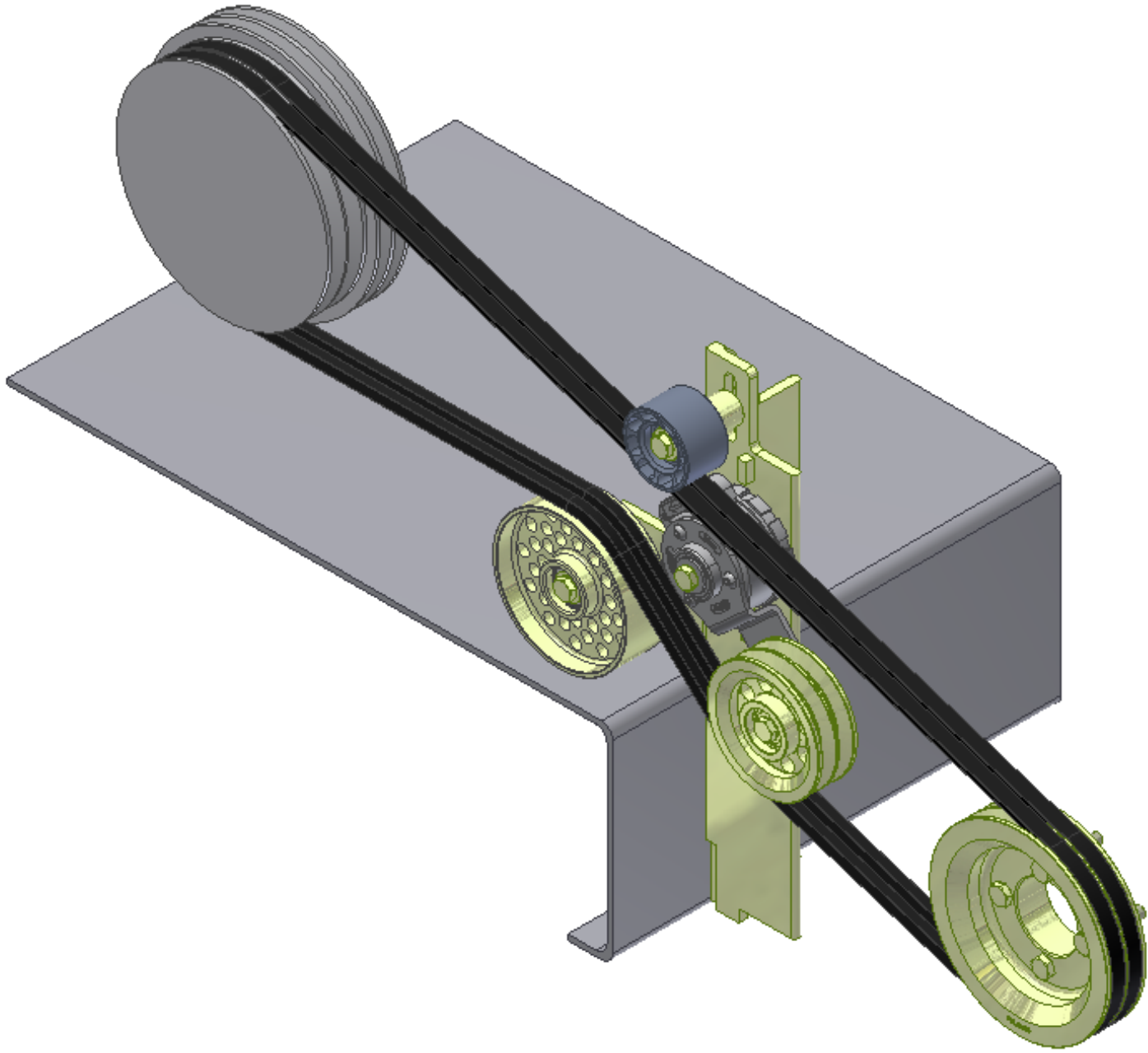
THIS DRAWING CONTAINS PROPRIETARY CONFIDENTIAL INFORMATION OWNED BY TRANSARGTIC CANADA INC. THE DOCUMENT AND THE INFORMATION IN IT ARE NOT TO BE USED, DISCLOSED OR REPRODUCED WITHOUT EXPRESS WRITTEN PERMISSION OF THE COMPANY.

UNSPECIFIED TOLERANCES:		MM	INCH
ONE DECIMAL PLACE (10)	±.05	30	±.001
TWO DECIMAL PLACE (100)	±.01	125	±.0005
THREE DECIMAL PLACE (1000)	±.005	500	±.0002
FOUR DECIMAL PLACE (10000)	±.001	2000	±.0001

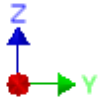
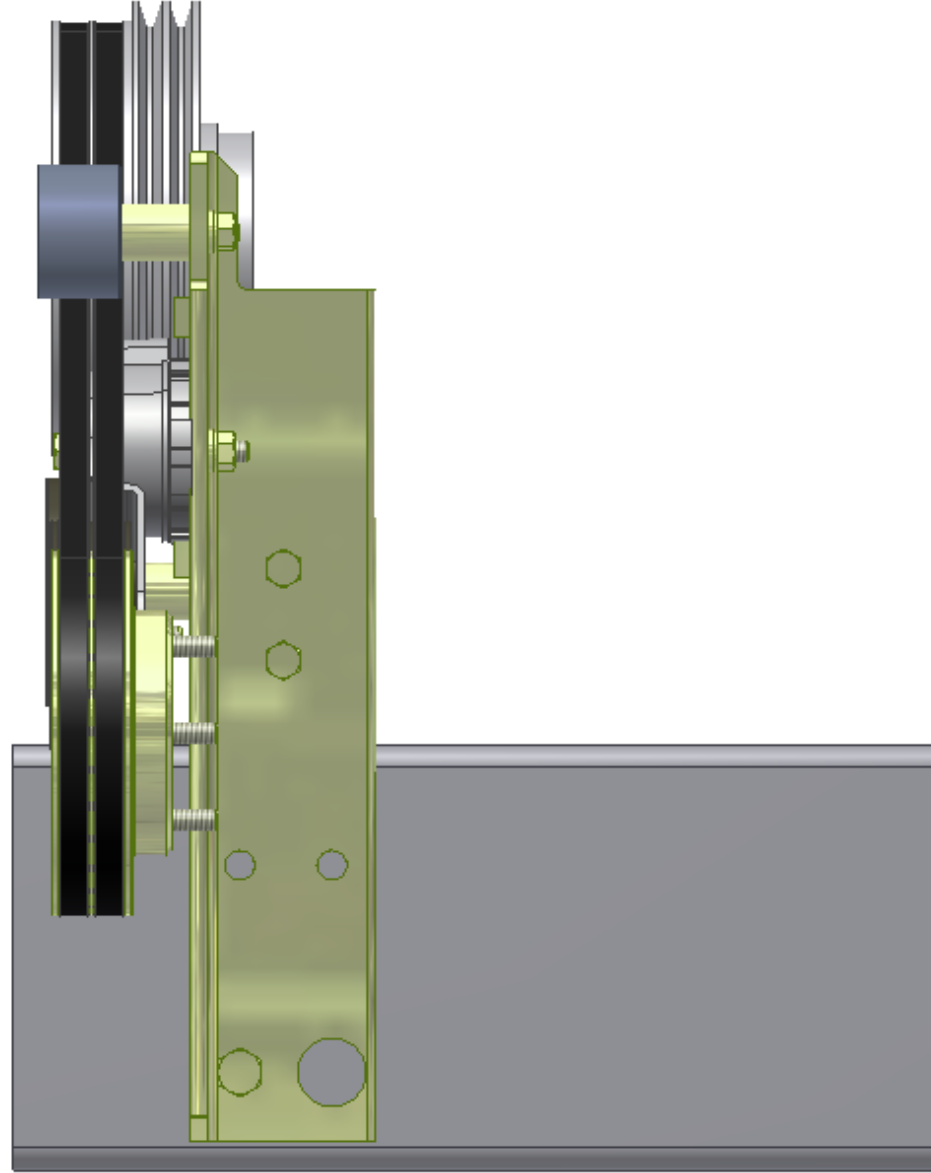


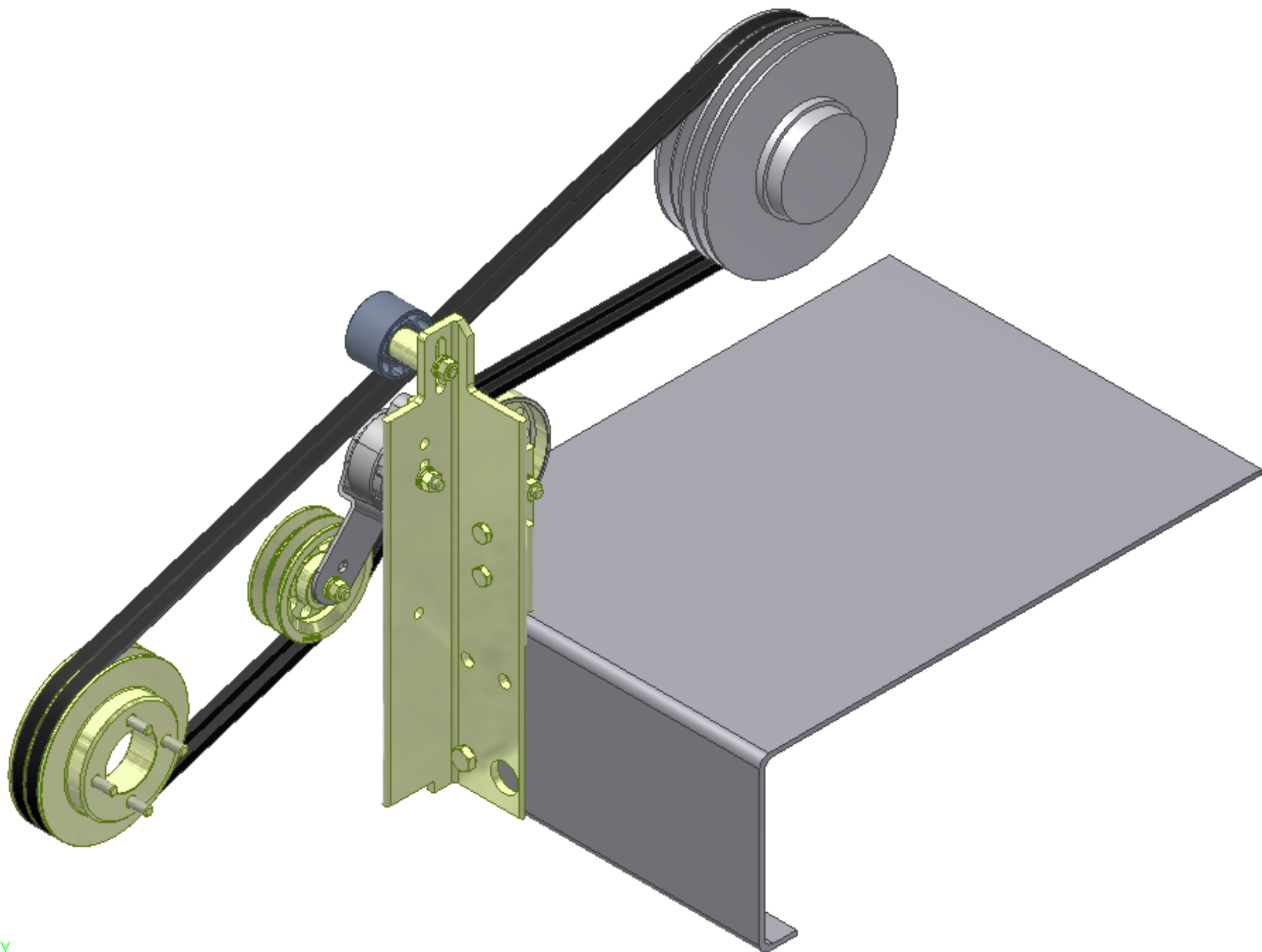
DRAWN	1/22/2009	REV	3
CHECKED		TITLE	Mt Kit, ISC, HDX, O5G/K, 2B, 8" Cr, '08
APPROVED		SIZE	D
DRAWING UNIT OF MEASURE	MM (INCH)	SCALE	1:1
DWG NO		KMC84193	
SHEET		1 OF 1	











## **TransArctic A/C Compressor Mount Installation Disclaimer**

All compressor mounts should be installed by qualified and trained personnel using proper tools and equipment in safe working conditions following industry standard guidelines for motor vehicle service and repair.

The installer of any compressor mount purchased from TransArctic must undertake all responsibility of issues arising from that compressor bracket being installed on any vehicle. As well as insure that a **proper and sufficient ground** is established between the compressors' clutches and the vehicle's engine. Mount functionality, operation and durability can all be compromised by an incompetent installation.

Due to the many different situations, parameters and application criteria, which are beyond the compressor mount manufacturer's control, TransArctic does not warrant design, durability, or operational functionality of any compressor mount improperly installed by another party.

**With no implied guarantees it is the mount installer's strict responsibility to determine safety and functionality, of the compressor mount, at the time of installation.**

Please contact TransArctic with any issue arising from installation so we may better improve the product. If you have any reservations about the compressor mount integrity contact TransArctic immediately at 1-877-COLD-AIR.