

Bill of Materials Listing

TransArctic Canada Inc.

3/15/2006

Page 1 of 1

Product Number		Description	Bin	Date	Weight	Uof M	Yield
Line	Component Prod#	Description		Unit	Qty		
KMK71370		Mt Kit, C7, BBCV, 1 TM-21, P6		8/28/2003	40.63		0
10	BEL61321	Belt, 6gr, 1321mm (52.0") (5060520)		each	1		
20	BMK70002	Bkt, Main, Weldmt, C7, BBCV, P6		each	1		
25	BMK70003	Bkt, Spacer, Pl, C7, BBCV, P6		each	1		
30	BMK60020	Bkt, Brace, RR P/S, Sup, 3126, BBCV, P6		each	1		
40	BMK70005	Bkt, Brace, Diag D/S, Sup, C7, BBCV, P6		each	1		
44	BMS60003	Bkt, Cradle, L/H, TM-21, 3126, P8		each	1		
45	BMS60004	Bkt, Cradle, R/H, TM-21, 3126, P8		each	1		
50	TEN80002	Tenr, HD Spring, BackSide, CCW (89200A)		each	1		
60	BAK71370	Bag Kit, Fasteners, KMK71370		each	1		

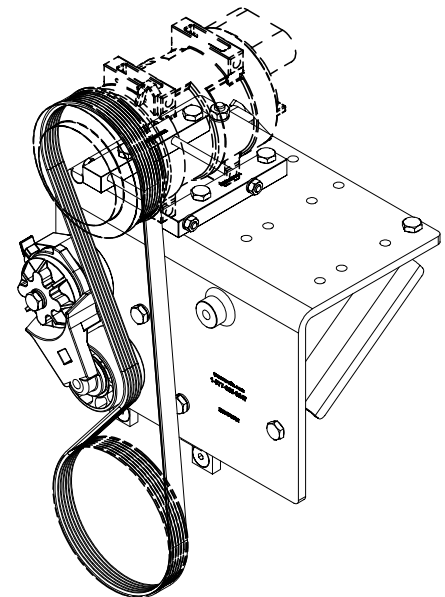
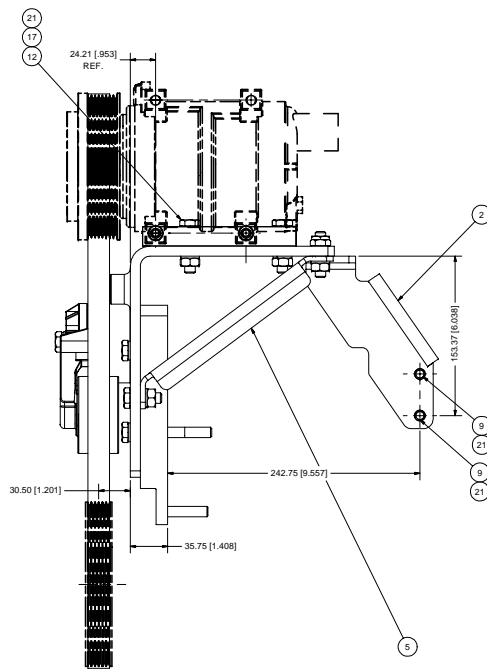
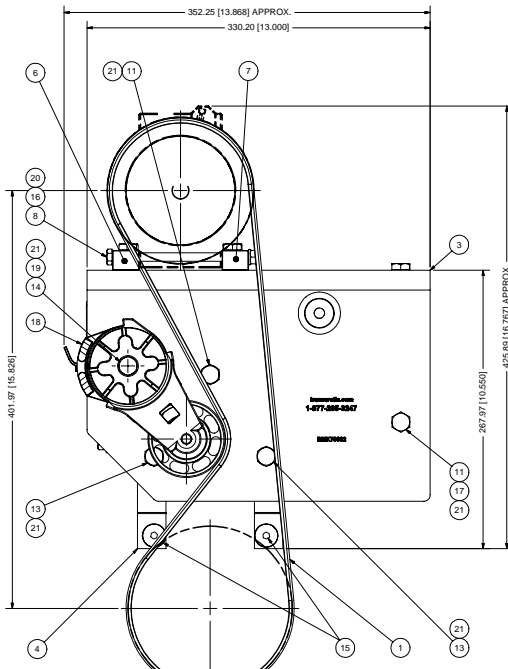
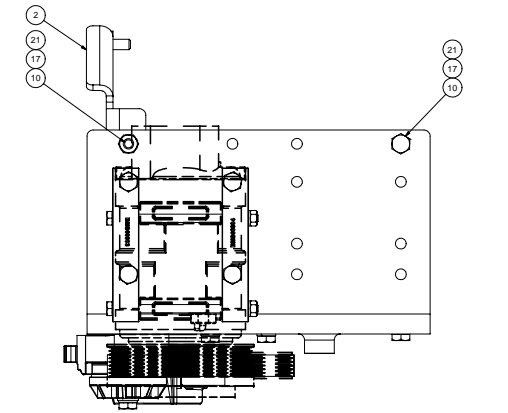
Bill of Materials Listing

TransArctic Canada Inc.

3/15/2006

Page 1 of 1

Product Number		Description	Bin	Date	Weight	Uof M	Yield
Line	Component Prod#	Description		Unit	Qty		
BAK71370		Bag Kit, Fasteners, KMK71370		11/15/2003	1.54		0
10	BTC10080	Bolt, Hex, 10 x 1.5 x 80mm, 10.9, Plt		each	2		
20	BTC10045	Bolt, Hex, 10 x 1.5 x 45mm, 10.9, Plt		each	4		
30	BTC10030	Bolt, Hex, 10 x 1.5 x 30mm, 10.9, Plt		each	3		
40	BTC10025	Bolt, Hex, 10 x 1.5 x 25mm, 10.9, Plt		each	2		
50	BTC08140	Bolt, Hex, 8 x 1.25 x 140mm, 10.9, Plt		each	2		
60	BTC10090	Bolt, Hex, 10 x 1.5 x 90mm, 10.9, Plt		each	1		
70	CSF10051	Capscrew, FH, 10 x 1.5 x 50mm, 10.9,Plt		each	2		
80	NTA10000	Nut, Hex, 10 x 1.5, 8.8, Plt		each	7		
90	NTA08000	Nut, Hex, 8 x 1.25, 8.8, Plt		each	2		
100	WFA10000	Washer, Flat, 10mm, 8.8, Plt		each	1		
110	WLA10000	Washer, Lock, 10mm, 8.8, Plt		each	13		
120	WLA08000	Washer, Lock, 8mm, 8.8, Plt		each	2		



ISOMETRIC VIEW

NOTES:
 1) USE SERVICABLE THREADLOCKER ON ALL FASTENERS TO ENGINE COMPONENTS AND TORQUE ALL BOLTS TO S.A.E. SPECIFICATIONS.
 2) SEE "TRANSARGTIC A/C COMPRESSOR MOUNT INSTALLATION DISCLAIMER".

ITEM	QTY	U/M	PART NUMBER	DESCRIPTION
21	13	EACH	WLA10000	WASHER, LOCK, 10mm, 8.8, PLT
20	2	EACH	WLA08000	WASHER, LOCK, 8mm, 8.8, PLT
19	1	EACH	WFA10000	WASHER, FLAT, 10mm, 8.8, PLT
18	1	EACH	TEN80002	TENR, HD SPRING, BACKSIDE, CCW
17	7	EACH	NTA10000	NUT, HEX, 10 x 1.5, 8.8, PLT
16	2	EACH	NTA08000	NUT, HEX, 8 x 1.25, 8.8, PLT
15	2	EACH	CSP10051	CAPSCREW, FH, 10 x 1.5 x 50mm, 10.9, PLT
14	1	EACH	BTC10090	BOLT, HEX, 10 x 1.5 x 90mm, 10.9, PLT
13	2	EACH	BTC10080	BOLT, HEX, 10 x 1.5 x 80mm, 10.9, PLT
12	4	EACH	BTC10045	BOLT, HEX, 10 x 1.5 x 45mm, 10.9, PLT
11	1	EACH	BTC10035	BOLT, HEX, 10 x 1.5 x 35mm, 10.9, PLT
10	3	EACH	BTC10030	BOLT, HEX, 10 x 1.5 x 30mm, 10.9, PLT
9	2	EACH	BTC10025	BOLT, HEX, 10 x 1.5 x 25mm, 10.9, PLT
8	2	EACH	BTC08140	BOLT, HEX, 8 x 1.25 x 140mm, 10.9, PLT
7	1	EACH	BMS60004	BKT, CRADLE, RH, TM-21, 3126, PB
6	1	EACH	BMS60003	BKT, CRADLE, LH, TM-21, 3126, PB
5	1	EACH	BMK70005	BKT, BRACE, DIAG D/S, SUP, C7, BBCV, PB
4	1	EACH	BMK70003	BRK, SPACER, PL, C7, BBCV, PB
3	1	EACH	BMK70002	BRK, MAIN, WELDMT, C7, BBCV, PB
2	1	EACH	BMK60020	BKT, BRACE, RR, WEB, 3126, BBCV, PB
1	1	EACH	BEL61321	BELT, 6gr, 1321mm (52.0')

TRANSARGTIC INC.

DRAWN: vjakowlew 11/15/2003
 CHECKED: Ron Ingram 11/15/2003
 TITLE: MTR
 REVISION: James Stewart 11/15/2003
 APPROVED: Dale Mason 11/15/2003

DESCRIPTION: MT KIT, C7, BBCV, 1 TM-21, P6

UNSPECIFIED TOLERANCES:
 DIMENSIONAL FINISH: AS MANUFACTURED
 HOLE POSITION: ±0.15mm (±0.005")
 HOLE LOCATION: ±0.15mm (±0.005")
 FINISH: AS MANUFACTURED

THIRD ANGLE PROJECTION

BILL OF MATERIALS

ITEM	QTY	U/M	PART NUMBER	DESCRIPTION
21	13	EACH	WLA10000	WASHER, LOCK, 10mm, 8.8, PLT
20	2	EACH	WLA08000	WASHER, LOCK, 8mm, 8.8, PLT
19	1	EACH	WFA10000	WASHER, FLAT, 10mm, 8.8, PLT
18	1	EACH	TEN80002	TENR, HD SPRING, BACKSIDE, CCW
17	7	EACH	NTA10000	NUT, HEX, 10 x 1.5, 8.8, PLT
16	2	EACH	NTA08000	NUT, HEX, 8 x 1.25, 8.8, PLT
15	2	EACH	CSP10051	CAPSCREW, FH, 10 x 1.5 x 50mm, 10.9, PLT
14	1	EACH	BTC10090	BOLT, HEX, 10 x 1.5 x 90mm, 10.9, PLT
13	2	EACH	BTC10080	BOLT, HEX, 10 x 1.5 x 80mm, 10.9, PLT
12	4	EACH	BTC10045	BOLT, HEX, 10 x 1.5 x 45mm, 10.9, PLT
11	1	EACH	BTC10035	BOLT, HEX, 10 x 1.5 x 35mm, 10.9, PLT
10	3	EACH	BTC10030	BOLT, HEX, 10 x 1.5 x 30mm, 10.9, PLT
9	2	EACH	BTC10025	BOLT, HEX, 10 x 1.5 x 25mm, 10.9, PLT
8	2	EACH	BTC08140	BOLT, HEX, 8 x 1.25 x 140mm, 10.9, PLT
7	1	EACH	BMS60004	BKT, CRADLE, RH, TM-21, 3126, PB
6	1	EACH	BMS60003	BKT, CRADLE, LH, TM-21, 3126, PB
5	1	EACH	BMK70005	BKT, BRACE, DIAG D/S, SUP, C7, BBCV, PB
4	1	EACH	BMK70003	BRK, SPACER, PL, C7, BBCV, PB
3	1	EACH	BMK70002	BRK, MAIN, WELDMT, C7, BBCV, PB
2	1	EACH	BMK60020	BKT, BRACE, RR, WEB, 3126, BBCV, PB
1	1	EACH	BEL61321	BELT, 6gr, 1321mm (52.0')

DWG NO: KMK71370
 SCALE: 1:2
 SHEET 1 OF 1

TransArctic A/C Compressor Mount Installation Disclaimer

Due to the many different situations, parameters and application criteria, which are beyond the compressor mount manufacturer's control, TransArctic does not warrant design, durability, or operational functionality of any compressor mount installed by another party.

The installer of any compressor mount purchased from TransArctic must undertake all responsibility of issues arising from that compressor bracket being installed on any vehicle. Mount functionality, operation and durability can all be compromised by an incompetent installation.

All compressor mounts should be installed by qualified and trained personnel using proper tools and equipment in safe working conditions following industry standard guidelines for motor vehicle service and repair.

With no implied guarantees it is the mount installer's strict responsibility to determine safety and functionality, of the compressor mount, at the time of installation.

Please contact TransArctic with any issue arising from installation so we may better improve the product. If you have any reservations about the compressor mount integrity contact TransArctic immediately at 1-877-COLD-AIR.