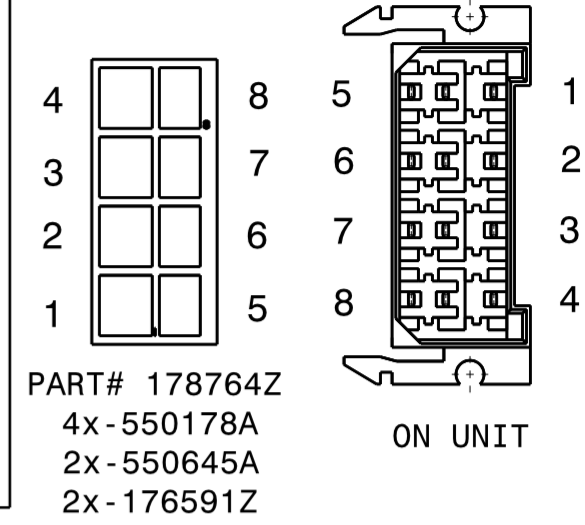
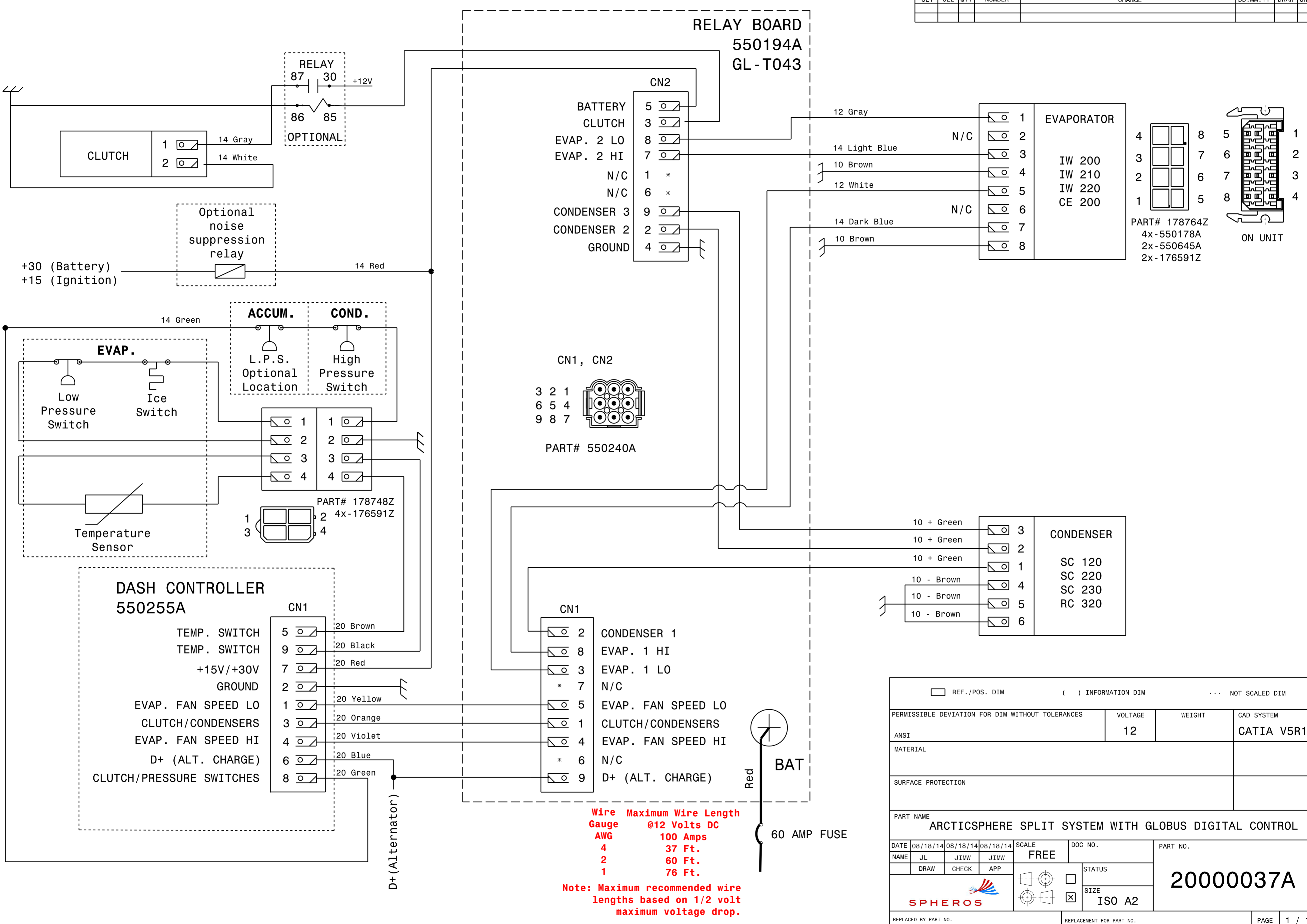


CL1	CL2	QTY	NUMBER	CHANGE	DD. MM. YY	DRAW	CHECK



REF./POS. DIM				INFORMATION DIM				NOT SCALED DIM							
PERMISSIBLE DEVIATION FOR DIM WITHOUT TOLERANCES				VOLTAGE				WEIGHT				CAD SYSTEM			
ANSI				12								CATIA V5R19			
MATERIAL															
SURFACE PROTECTION															
PART NAME												ARCTICSPHERE SPLIT SYSTEM WITH GLOBUS DIGITAL CONTROL			
DATE 08/18/14				08/18/14				08/18/14				SCALE			
NAME JL				JIMW				JIMW				FREE			
DRAW				CHECK				APP				DOC NO.			
STATUS												PART NO.			
SIZE				ISO A2								20000037A			
REPLACED BY PART-NO.				REPLACEMENT FOR PART-NO.								PAGE 1 / 1			