

SYMBOL	DESCRIPTION
ACMS	A/C MODE SWITCH
ACR	A/C RELAY
ACSR1	A/C STOP RELAY #1 (TIME DELAYED)
ACSR2	A/C STOP RELAY #2 (TIME DELAYED)
CFR1-CFR3	CONDENSER FAN RELAY
CFS1-CFS2	CONDENSER FAN SPEED SWITCH
CL	CLUTCH
CF1-CF5	CONDENSER FAN MOTORS
CR	CLUTCH RELAY
CSR	CONDENSER SPEED RELAY
D1-D30	DIODES
DA2-DR2	DEUTSCH CONNECTOR 2 (EVAP)
DA1-DR1	DEUTSCH CONNECTOR 1 (COND)
EM1	EVAPORATOR FAN MOTOR #1
EM2	EVAPORATOR FAN MOTOR #2
ESR1-ESR2	EVAPORATOR SPEED RELAY
FR	FAULT RELAY
F2-F11, F15	FUSE, 15 AMP
F12-F13	FUSE 40A
F14	FUSE 60A
HPS	HIGH PRESSURE SWITCH
LATH	LOW AMBIENT THERMOSTAT
LPS	LOW PRESSURE SWITCH
LLS	LIQUID LINE SOLENOID
TB1,3,5	TERMINAL STRIP POSITIONS
UPS1	UNLOADER PRESSURE SWITCH #1
UPS2	UNLOADER PRESSURE SWITCH #2
UPS3	UNLOADER PRESSURE SWITCH #3
UV1	UNLOADER VALVE #1
UV2	UNLOADER VALVE #2

SEE SHEET NO.2 FOR ALTERNATE 'ACMS' CONFIGURATIONS

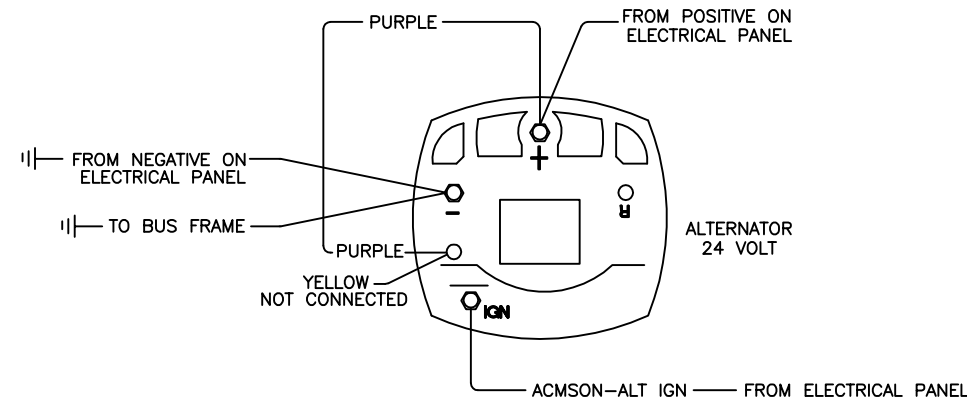
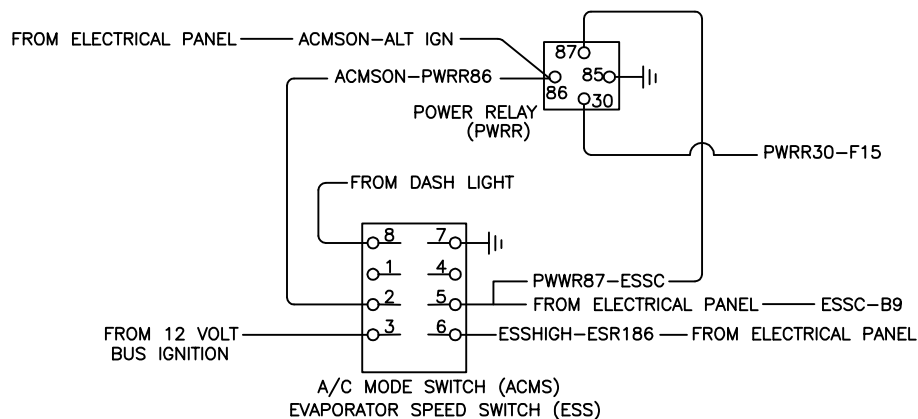
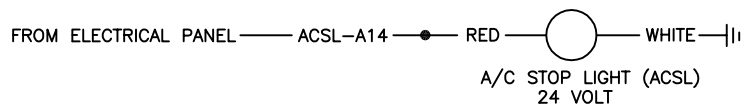
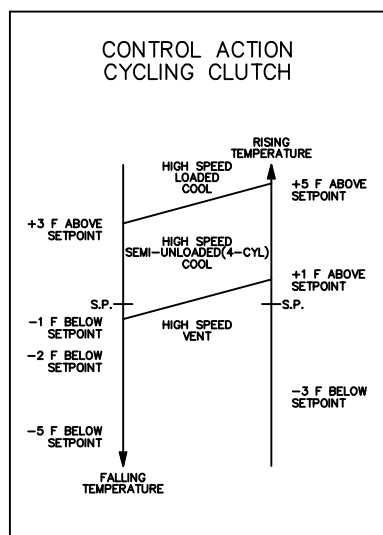
SCHEMATIC NO. 98-63152, ELECTRICAL PANEL 91-62011-00 COOL, R-134A, P/M CONDENSER & P/M EVAPORATOR MOTORS

- NOTES
1. UNIT SHOWN IS IN THE OFF POSITION.
 2. RELAY CONTACTS SHOWN ARE IN THEIR NORMAL UNENERGIZED POSITION.
 3. ADDRESS SYSTEM: EXAMPLE, CB6-CR30 INDICATES A WIRE BETWEEN CIRCUIT BREAKER #6 AND CLUTCH RELAY TERMINAL #30.
 4. WIRE IDENTIFICATION SYSTEM: COLORS: WHITE - DC CONTROL CIRCUIT
GREEN - GROUND
YELLOW - OPTIONAL CIRCUITS

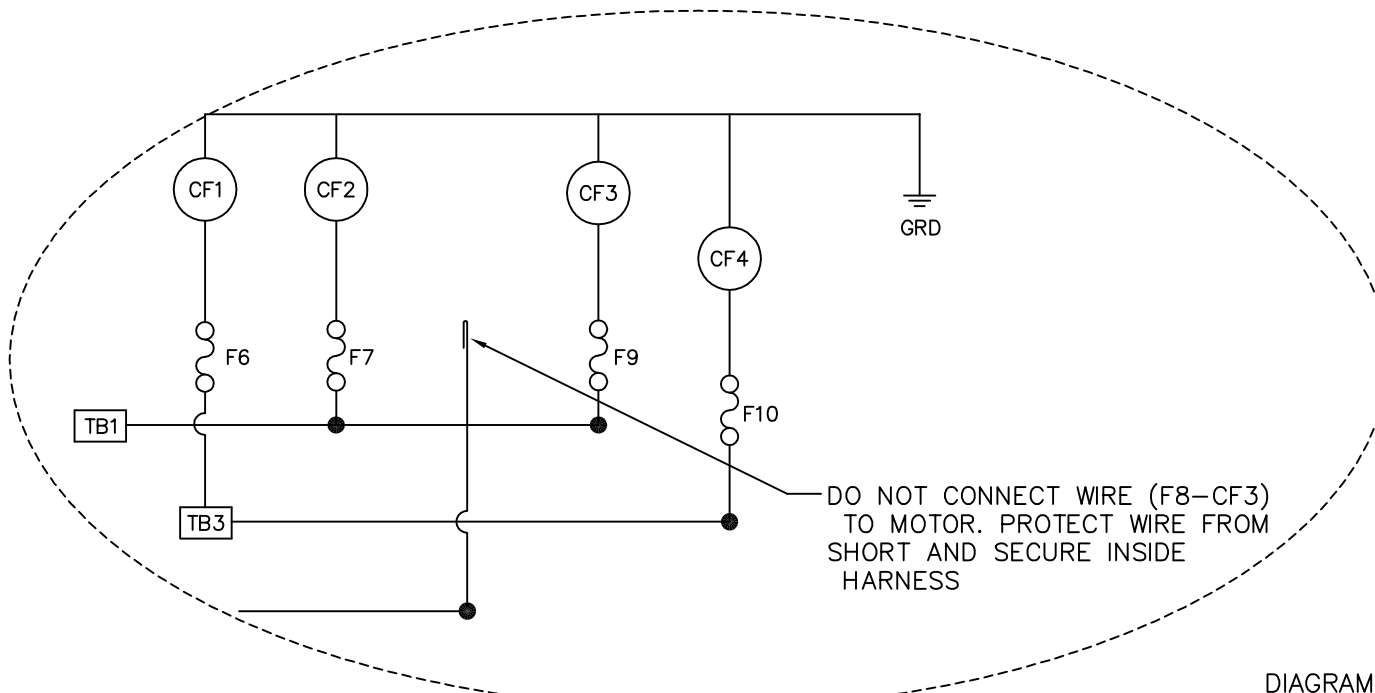
SYM	REVISION RECORD	DATE	BY	ENGR.	M.E.	NPCA NO.
A	INITIAL RELEASE - HPS MOVED INLINE WITH CLUCH	JAN 17, 2011	BC	KMS		68N0524P10

CAD SYSTEM: AutoCAD	IMPERIAL INCH FORMAT: UNLESS OTHERWISE SPECIFIED DIMENSIONS ARE IN INCHES, WITH METRIC CONVERSIONS IN [MILLIMETERS].	<p>Carrier A United Technologies Company Carrier Refrigeration Operations Carrier Transport A/C 715 Willow Springs Lane York, Pennsylvania 17402 USA</p>			
THIRD ANGLE PROJECTION	UNLESS OTHERWISE SPECIFIED TOLERANCES ON: .00 DEC .000 DEC DEC ANG ± .04 ± .020 ± ± 2' [.0] DEC [.00] DEC DEC ± [1.0] ± [.50] ± []				
MATERIAL	SURFACES ✓ AA	HOLE DIA. ± .005 ± [.13]	HOLE SPACING ± .015 ± [.38]	HOLE LOC ± .03 ± [.8]	<p>THIS DOCUMENT AND THE INFORMATION CONTAINED THEREIN IS PROPRIETARY TO CARRIER CORPORATION AND SHALL NOT BE USED OR DISCLOSED TO OTHERS, IN WHOLE OR IN PART, WITHOUT THE WRITTEN AUTHORIZATION OF CARRIER CORPORATION.</p> <p>TITLE SCHEMATIC DC12175 COOL ONLY SYSTEM (HPS INLINE)</p>
WEIGHT	MFG/PURCH	MFG	DIMENSIONS IN (PARENTHESES) ARE FOR INFORMATION ONLY. TOLERANCES DO NOT APPLY.		<p>SIZE DRAWING NO. 98-63152 REV A</p> <p>SHEET 1 OF 2</p>
NEXT DRAWING			NONE	SCALE	FULL

CONTROL ACTION DIAGRAM



- INDICATES RELAY BOARD TRACE
- - - INDICATES OPTIONAL R.B. TRACE
- AT INDICATES PLUG LOCATION ON RELAY BOARD
- ⊕ INDICATES A WIRE GROUND
- - - INDICATES BUS WIRING
- INDICATES STANDARD OPTIONS
- ⊙ INDICATES A TERMINAL CONNECTION
- ◁ INDICATES A CONNECTOR (WEATHER PACK)
- ⊕ INDICATES A NORMALLY OPEN CONTACT
- ⊖ INDICATES A NORMALLY CLOSED CONTACT
- ▭ INDICATES TERMINAL STRIP



OPTIONAL KR-4 WIRING DETAIL

DIAGRAM SUPPLEMENT FOR SCHEMATIC 98-63152
ELECTRICAL PANEL 91-62011-00 -COOL, R134A, P/M COND, P/M EVAP

SYM	REVISION RECORD	DATE	BY	ENGR.	M.E.	NPCA NO.
A	INITIAL RELEASE - HPS MOVED INLINE WITH CLUTCH	JAN 17, 2011	BC	KMS	-	68N0524P10

CAD SYSTEM: AutoCAD	IMPERIAL INCH FORMAT: UNLESS OTHERWISE SPECIFIED DIMENSIONS ARE IN INCHES, WITH METRIC CONVERSIONS IN [MILLIMETERS].	Carrier A United Technologies Company Carrier Refrigeration Operations Carrier Transport A/C 715 Willow Springs Lane York, Pennsylvania 17402 USA		
THIRD ANGLE PROJECTION 	UNLESS OTHERWISE SPECIFIED TOLERANCES ON: .00 DEC .000 DEC DEC ANG ± .04 ± .020 ± ± 2' [.0] DEC [.00] DEC DEC ±[1.0] ±[.50] ± []			
MATERIAL	SURFACES ✓ AA	HOLE DIA. ± .005 ±[.13]	HOLE SPACING ± .015 ±[.38] NON-CUMULATIVE	HOLE LOC ± .03 ±[.8]
DIMENSIONS IN (PARENTHESES) ARE FOR INFORMATION ONLY. TOLERANCES DO NOT APPLY.		THIS DOCUMENT AND THE INFORMATION CONTAINED THEREIN IS PROPRIETARY TO CARRIER CORPORATION AND SHALL NOT BE USED OR DISCLOSED TO OTHERS, IN WHOLE OR IN PART, WITHOUT THE WRITTEN AUTHORIZATION OF CARRIER CORPORATION.		
TITLE SCHEMATIC		DC12175 COOL ONLY SYSTEM (HPS INLINE)		
SIZE D	DRAWING NO. 98-63152	REV A	COMMODITY CODE	
NEXT DRAWING NONE		SCALE FULL		