

Bill of Materials Listing

TransArctic Canada Inc.

5/7/2005
Page 1 of 1

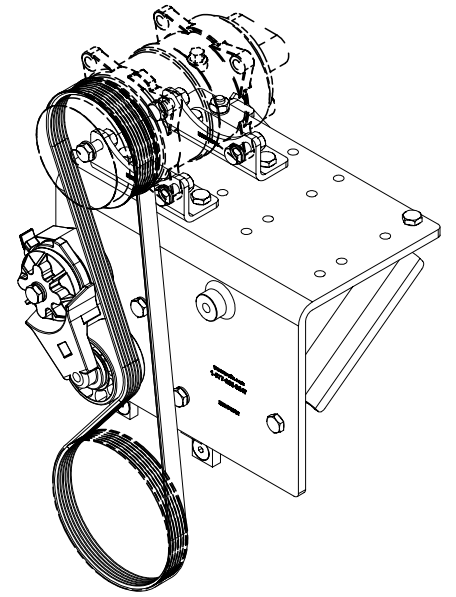
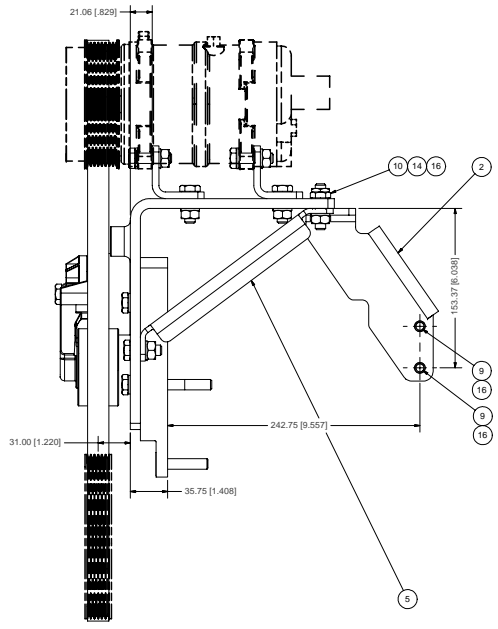
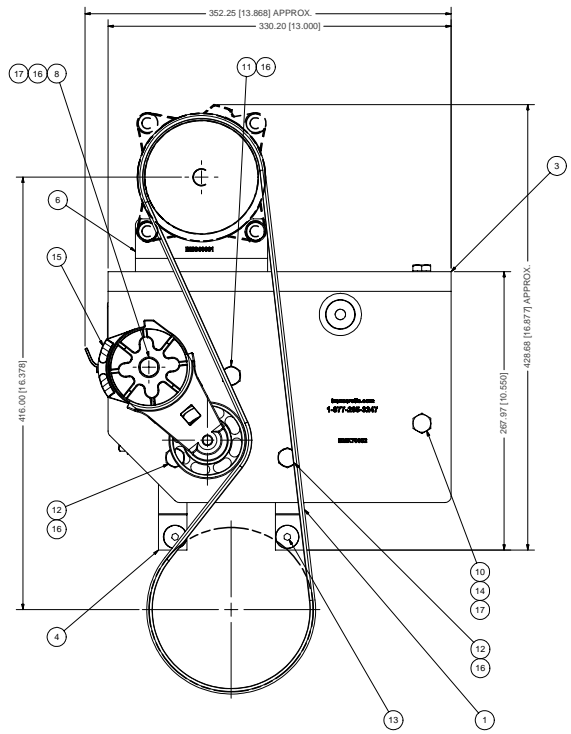
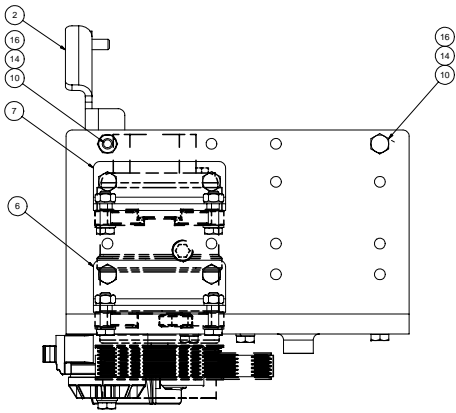
Product Number		Description	Bin	Date	Weight	Uof M	Yield
Line	Component Prod#	Description		Unit	Qty		
KMK71070		Mt Kit, C7, BBCV, 1 TM-16, P6		8/28/2003	40.46		0
10	BEL61321	Belt, 6gr, 1321mm (52.0") (5060520)		each	1		
20	BMK70002	Bkt, Main, Weldmt, C7, BBCV, P6		each	1		
25	BMK70003	Bkt, Spacer, Pl, C7, BBCV, P6		each	1		
30	BMK60020	Bkt, Brace, RR P/S, Sup, 3126, BBCV, P6		each	1		
40	BMK70005	Bkt, Brace, Diag D/S, Sup, C7, BBCV, P6		each	1		
44	BMS60001	Bkt, Cradle, Front, TM-16, 3126, P8		each	1		
45	BMS60002	Bkt, Cradle, Rear, TM-16, 3126, P8		each	1		
50	TEN80002	Tenr, HD Spring, BackSide, CCW (89200A)		each	1		
60	BAK71070	Bag Kit, Fasteners, KMK71070		each	1		

Bill of Materials Listing

TransArctic Canada Inc.

5/7/2005
Page 1 of 1

Product Number		Description	Bin	Date	Weight	Uof M	Yield
Line	Component Prod#	Description		Unit	Qty		
BAK71070		Bag Kit, Fasteners, KMK71070		11/12/2003	1.80		0
10	BTC10080	Bolt, Hex, 10 x 1.5 x 80mm, 10.9, Plt		each	2		
20	BTC10035	Bolt, Hex, 10 x 1.5 x 35mm, 10.9, Plt		each	5		
30	BTC10030	Bolt, Hex, 10 x 1.5 x 30mm, 10.9, Plt		each	7		
40	BTC10025	Bolt, Hex, 10 x 1.5 x 25mm, 10.9, Plt		each	2		
50	BTA10090	Bolt, Hex, 10 x 1.5 x 90mm, 8.8, Plt		each	1		
60	CSF10051	Capscrew, FH, 10 x 1.5 x 50mm, 10.9,Plt		each	2		
70	NTA10000	Nut, Hex, 10 x 1.5, 8.8, Plt		each	11		
80	WFA10000	Washer, Flat, 10mm, 8.8, Plt		each	5		
90	WLA10000	Washer, Lock, 10mm, 8.8, Plt		each	17		



ISOMETRIC VIEW

NOTES:
 1) USE SERVICABLE THREADLOCKER ON ALL FASTENERS TO ENGINE COMPONENTS AND TORQUE ALL BOLTS TO S.A.E. SPECIFICATIONS.
 2) SEE "TRANSARGTIC A/C COMPRESSOR MOUNT INSTALLATION DISCLAIMER".

ITEM	QTY	U/M	PART NUMBER	DESCRIPTION
17	5	EACH	WFA10000	WASHER, FLAT, 10mm, 8.8, PLT
16	17	EACH	WLA10000	WASHER, LOCK, 10mm, 8.8, PLT
15	1	EACH	TEN80002	TENR, HD SPRING, BACKSIDE, CCW
14	11	EACH	NFA10000	NUT, HEX, 10 x 1.5, 8.8, PLT
13	2	EACH	CSF10051	CAPSCREW, FH, 10 x 1.5 x 50mm, 10.9, PLT
12	2	EACH	BTC10080	BOLT, HEX, 10 x 1.5 x 80mm, 10.9, PLT
11	5	EACH	BTC10035	BOLT, HEX, 10 x 1.5 x 35mm, 10.9, PLT
10	7	EACH	BTC10030	BOLT, HEX, 10 x 1.5 x 30mm, 10.9, PLT
9	2	EACH	BTC10025	BOLT, HEX, 10 x 1.5 x 25mm, 10.9, PLT
8	1	EACH	BTA10090	BOLT, HEX, 10 x 1.5 x 90mm, 8.8, PLT
7	1	EACH	BMS60002	BKT, CRADLE, REAR, TM-16, 3126, P8
6	1	EACH	BMS60001	BKT, CRADLE, FRONT, TM-16, 3126, P8
5	1	EACH	BMK70005	BKT, BRACE, DIAG D/S, SUP, C7, BBCV, P6
4	1	EACH	BMK70003	BRK, SPACER, PL, C7, BBCV, P6
3	1	EACH	BMK70002	BRK, MAIN, WELDMT, C7, BBCV, P6
2	1	EACH	BMK60020	BKT, BRACE, RR, WEB, 3126, BBCV, P6
1	1	EACH	BEL61321	BELT, 6gr, 1321mm (52.0")

REVISION		DATE	BY	DESCRIPTION
1	RELEASED TO PRODUCTION	11/12/2003	USA	Ron Ingram
2	APPROVED	11/12/2003	USA	James Stewart
3	APPROVED	11/12/2003	USA	Dele Mason

DRAWN: vjakowlew		11/12/2003	CHECKED: vjakowlew	
DESIGNED: vjakowlew		11/12/2003	TITLE: TRANSARGTIC INC.	
MFG: vjakowlew		11/12/2003	MATERIAL: MT KIT, C7, BBCV, 1 TM-16, P6	
DATE: 11/12/2003		SIZE: F	DWG NO: KMK71070	REV: 0
SCALE: 1:2		SHEET 1 OF 1		

TransArctic A/C Compressor Mount Installation Disclaimer

Due to the many different situations, parameters and application criteria, which are beyond the compressor mount manufacturer's control, TransArctic does not warrant design, durability, or operational functionality of any compressor mount installed by another party.

The installer of any compressor mount purchased from TransArctic must undertake all responsibility of issues arising from that compressor bracket being installed on any vehicle. Mount functionality, operation and durability can all be compromised by an incompetent installation.

All compressor mounts should be installed by qualified and trained personnel using proper tools and equipment in safe working conditions following industry standard guidelines for motor vehicle service and repair.

With no implied guarantees it is the mount installer's strict responsibility to determine safety and functionality, of the compressor mount, at the time of installation.

Please contact TransArctic with any issue arising from installation so we may better improve the product. If you have any reservations about the compressor mount integrity contact TransArctic immediately at 1-877-COLD-AIR.