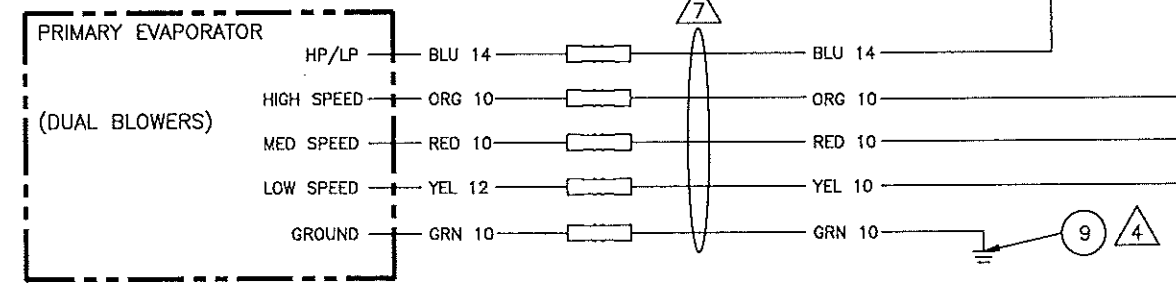
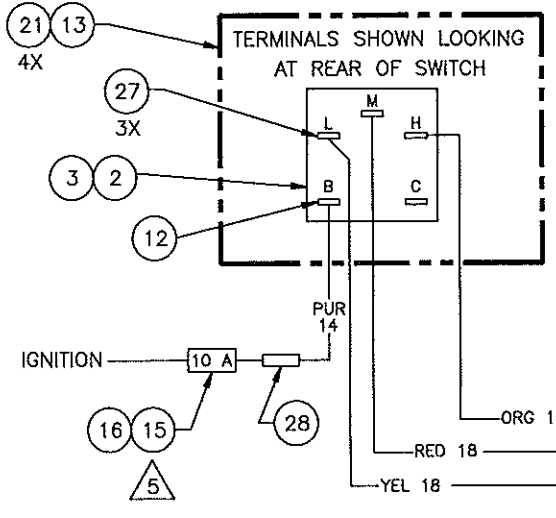
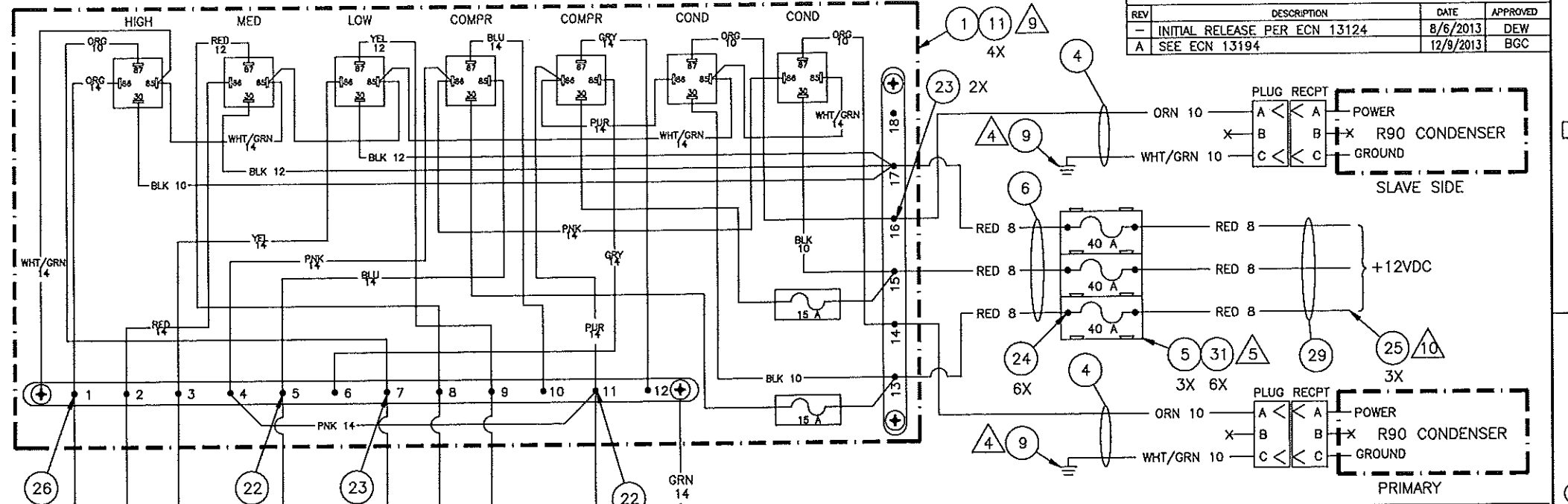


- NOTES:**
1. PACKAGE ALL ITEMS AND A COPY OF THIS DRAWING IN BOX.
 2. IDENTIFY PART NUMBER AND REVISION LEVEL.
 3. OEM CLUTCH CIRCUIT MUST BE REMOVED AND TIED TO TA PINK WHEN PIPING T/A SYSTEM WITH FACTORY DASH COMPRESSOR.
 4. GROUND TO CHASSIS AT CLOSEST POINT TO AVOID VOLTAGE LOSS.
 5. LOCATE POWER FUSES WITHIN 4 FEET OF POWER SOURCE AND BEFORE PASSING THROUGH ANY PARTITIONS. FUSES LOCATED ELSEWHERE MUST BE PRE-APPROVED BY T/A ENGINEERING DEPT.
 6. CLAMPS (ITEMS 8 & 10) AND SCREWS (ITEM 11) ARE SUPPLIED TO SECURE WIRING.
 7. 6 CONDUCTOR CABLE, P/N 116048, TO BE PURCHASED SEPARATELY.
 8. 4 CONDUCTOR CABLE, P/N 116049, TO BE PURCHASED SEPARATELY.
 9. TORQUE TERMINAL STRIP SCREWS TO 20 IN-LBS.
 10. USE ONLY BATTERY OR ALTERNATOR POSITIVE POST OR ADEQUATE OEM-PROVIDED STUD FOR POWER PICK-UP POINT. WHEN USING OEM PROVIDED STUD, VERIFY OEM FEEDER TO STUD AND ANY CIRCUIT PROTECTION UPSTREAM OF STUD ARE SIZED SUFFICIENTLY FOR ADDED A/C LOAD.

REV	DESCRIPTION	DATE	APPROVED
-	INITIAL RELEASE PER ECN 13124	8/6/2013	DEW
A	SEE ECN 13194	12/9/2013	BGC



QTY	REQD PER ASSY	FSCM NO.	PART NO.	DESCRIPTION	MATERIAL / SPECIFICATION	ITEM NO.
6			619125	SCREW, PAN HD, #6 X 5/8, SELF DRILL		31
4FT			116004	WIRE, 14 GA, GREEN		30
2FT			119002	LOOM, 1/2		29
1			115007	CONNECTOR, BUTT, 14-16 A		28
3			115029	TERMINAL, FEM 18-22 GA		27
3			115108	TERMINAL, #10 RING 18-22 GA		26
3			115004	TERMINAL, 5/16 RING, 8 GA		25
6			115003	TERMINAL #10 RING 8 GA		24
5			115016	TERMINAL #10 RING 10-12 GA		23
4			115001	TERMINAL #10 RING 14-16 GA		22
4			619113	SCREW, PAN HD, PHIL, #6 X 1/2, SELF DRILL, BLACK		21
						20
						19
10FT			116021	WIRE, #14 PINK		18
18FT			119005	LOOM, 3/8 INCH		17
1			110050-10	FUSE, MINI, BLADE TYPE, 10 A		16
1			110075	FUSEHOLDER, MINI, 16 GA		15
10FT			116023	WIRE, #14 PURPLE		14
1			701415	PLATE, SWITCH		13
1			115031	TERMINAL, FEM 14-16 GA		12
14			619021	SCREW, PHILLIPS, #10 SELF TAP		11
5			611026	CLAMP, INSULATED .75 ID		10
3			115021	TERMINAL, 1/4 RING, 10-12 GA		9
5			611045	CLAMP, INSULATED .38 ID		8
6FT			116040	WIRE, 8 GA, RED		7
1			701193-02	HARNES, POWER		6
3			701401	FUSE HOLDER ASSEMBLY, MIDI, BOLT-ON		5
2			701336-30	HARNES, CONDENSER		4
1			610008	KNOB, ROTARY SWITCH		3
1			113006	SWITCH, ROTARY, 4 POSITION		2
1			701406	RELAY BOARD ASSEMBLY		1

UNLESS OTHERWISE SPECIFIED: DIMENSIONS ARE IN INCHES TOLERANCES ON DECIMALS		INTERPRET DRAWING PER DOD-STD-100		TRANS/AIR MFG CORP	
2PL ±	3PL ±	ANGLE ±	REMOVE BURRS AND SHARP EDGES		
MATERIAL:		DRAWN BY	DEW	DATE	8/6/13
NEXT ASSY		CHECKER	MCA	DATE	12/10/13
USED ON		DESIGN APPROVAL	DEW	DATE	12-10-13
APPLICATION		SCALE NONE		DWG NO.	5031425
				REV	A