

# Bill of Materials Listing

TransArctic Canada Inc.

6/2/2006  
Page 1 of 1

Product Number		Description	Bin	Date	Weight	Uof M	Yield
Line	Component Prod#	Description		Unit	Qty		
<b>KMN81960</b>		<b>Mt. Kit, DT466, RE300, 2 TM-16</b>		<b>8/30/2004</b>	<b>34.29</b>		<b>0</b>
10	BEL83023	Belt, 8gr, 3023mm (119.0") (5081190)		each	1		
20	BMN60001	Bkt, Spacer, DT466, CE300		each	1		
30	BMN80001	Bkt, Main, DT466, CE300, 2 TM-21/TM-16		each	1		
40	PUL80076	Pulley, Idler, Backside, P8, 76d (89062)		each	2		
50	SLV17010	Sleeve, Pulley, 16.9o x 22.23mm x 10.32i		each	1		
60	SCD39710	Spacer, Col, Drl, 39.7mm x 25.4o x 10.3i		each	1		
63	FTP06090	Ftg, Pipe,Elb,1/4"npt to 3/8" barb,Brass		each	1		
66	FTS12001	Ftg, Adap, M12 x 1.5 x 1/4" fnpt, STL		each	1		
68	ORS12001	O Ring, Seal, 12 mm metric		each	1		
70	HOR03800	Hose, Heater, 3/8" ID, (250' - 80235GL)		feet	5		
80	KBN84570	Bag Kit, Fasteners, KMN84570/1960/2661		each	1		

# Bill of Materials Listing

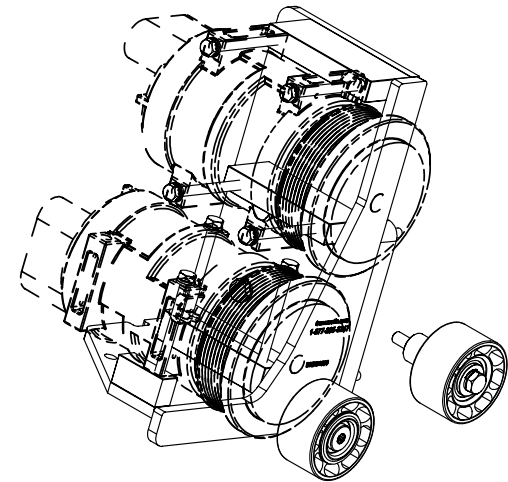
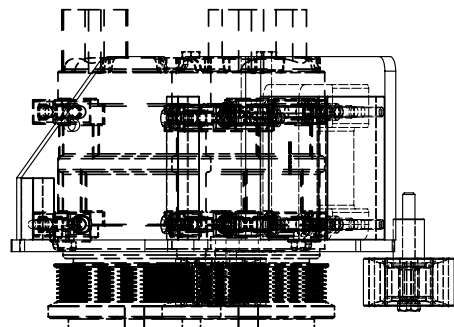
TransArctic Canada Inc.

3/10/2006

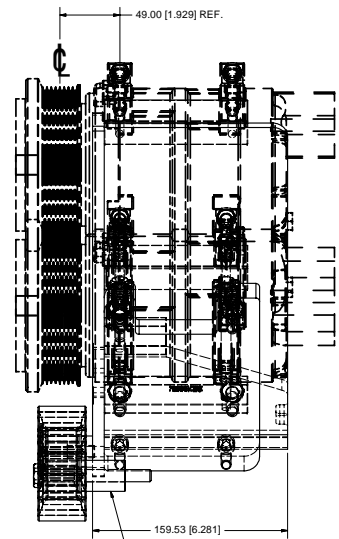
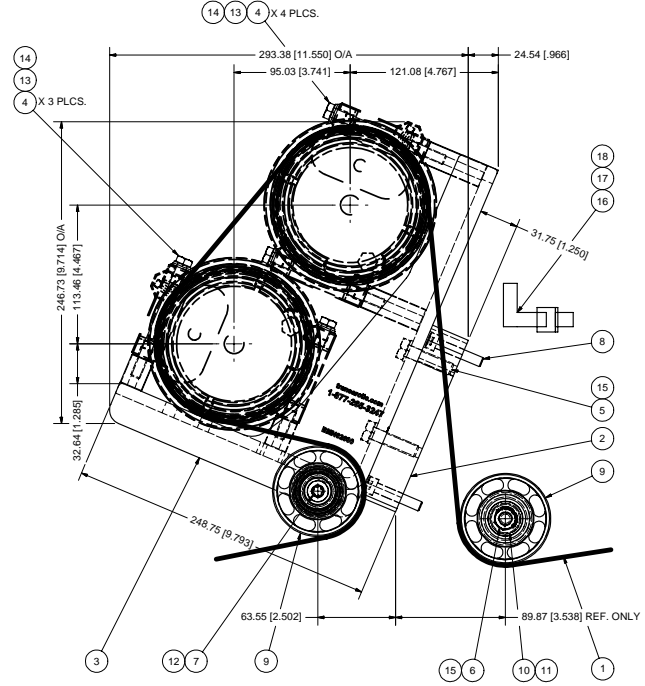
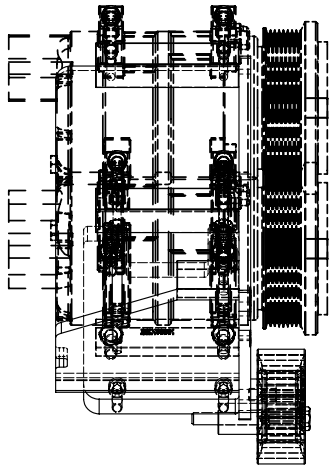
Page 1 of 1

Product Number		Description	Bin	Date	Weight	Uof M	Yield
Line	Component Prod#	Description		Unit	Qty		
<b>KBN84570</b>		<b>Bag Kit, Fasteners, KMN84570/1960/2661</b>		<b>9/1/2004</b>	<b>1.00</b>		<b>1</b>
10	BTC10090	Bolt, Hex, 10 x 1.5 x 90mm, 10.9, Plt		each	1		
20	BTC10040	Bolt, Hex, 10 x 1.5 x 40mm, 10.9, Plt		each	4		
30	BTC08100	Bolt, Hex, 8 x 1.25 x 100mm, 10.9, Plt		each	7		
40	BTS10001	Bolt, Shoulder, 10mm (89064)		each	1		
50	CSS08040	Capscrew, SH, 8 x 1.25 x 40mm, 12.9, Plt		each	4		
60	WDS17001	Washer, Dust Cover (89060)		each	1		
70	WFA08000	Washer, Flat, 8mm, 8.8, Plt		each	7		
80	WLA10000	Washer, Lock, 10mm, 8.8, Plt		each	5		
90	WLA08000	Washer, Lock, 8mm, 8.8, Plt		each	7		

8 7 6 5 4 3 2 1



ISOMETRIC VIEW



ITEM	QTY	U/M	PART NUMBER	DESCRIPTION
18	1	EACH	ORS12001	O RING, SEAL, 12mm METRIC
17	1	EACH	FTS12001	FTG. ADAP. M12 x 1.5 x 1/4" FNPT, STL
16	1	EACH	FTS06090	FTG. PIPE, ELB, 1/4" NPT TO 3/8" BARB, BRASS
15	5	EACH	WLA10000	WASHER, LOCK, 10mm, 8.8, PLT
14	7	EACH	WLA08000	WASHER, LOCK, 8mm, 8.8, PLT
13	7	EACH	WFA08000	WASHER, FLAT, 8mm, 8.8, PLT
12	1	EACH	WDS17001	WASHER, DUST COVER (PUL80076)
11	1	EACH	SLV17010	SLEEVE, PULLEY, 16.96 x 22.23mm x 10.32
10	1	EACH	SCD39710	SPACER, COIL, DRL, 39.7mm x 25.40 x 10.31
9	2	EACH	PUL80076	PULLEY, IDLER, BACKSIDE, P8, 76D, 39W
8	4	EACH	CSS08040	CAPSCREW, SH, 8 x 1.25 x 40mm, 12.9, PLT
7	1	EACH	BTS10001	BOLT, SHOULDER, 10mm (IDLER PULLEY)
6	1	EACH	BTC10090	BOLT, HEX, 10 x 1.5 x 90mm, 10.9, PLT
5	4	EACH	BTC10040	BOLT, HEX, 10 x 1.5 x 40mm, 10.9, PLT
4	7	EACH	BTC08100	BOLT, HEX, 8 x 1.25 x 100mm, 10.9, PLT
3	1	EACH	BMN80001	BKT, MAIN, DT466, CE300, 2 TM-21/TM-16
2	1	EACH	BMN80001	BKT, SPACER, DT466, CE300
1	1	EACH	BEL83023	BELT, 8gr, 3023mm (119.0") (5081190)

**TRANSARGTIG INC.**

REVISION	DESCRIPTION	DATE	BY	VAL
0	RELEASED TO PRODUCTION	3/9/2006	GA	
1			James Stewart	
2			Val Jakowlew	
3			Dale Mason	

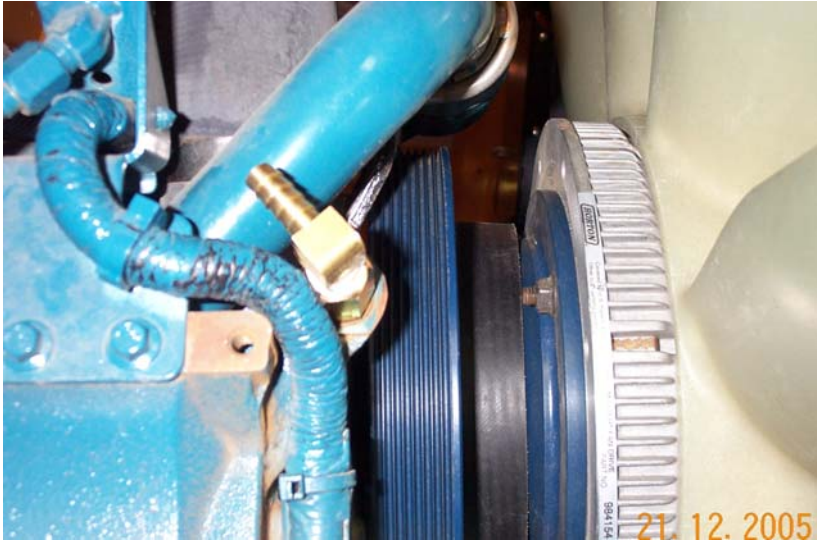
DRAWN		vjakowlew	3/9/2006
CHECKED		Ron Ingram	3/9/2006
TITLED			
DESCRIPTION		MT KIT, DT466, RE300, 2 TM-16	
SIZE	DWG NO	REV	
D	KMN81960	0	
SCALE	1:2	SHEET	1 OF 1

UNSPECIFIED TOLERANCES:  
 DIM DECIMAL PLACE (X) .00 (100)  
 DIM FRACTIONAL PLACE (X) .00 (100)  
 DIM ANGULAR (X) .01 (100)



DRAWING UNIT OF MEASURE: MM (INCH)

8 7 6 5 4 3 2 1



Install fitting and new overflow tube.



Install BMN60001 & Rotate Turbo intake tube away from Alternator.



Mount Main Bracket, secure all hoses and tubes and check belt alignment.

## **TransArctic A/C Compressor Mount Installation Disclaimer**

All compressor mounts should be installed by qualified and trained personnel using proper tools and equipment in safe working conditions following industry standard guidelines for motor vehicle service and repair.

The installer of any compressor mount purchased from TransArctic must undertake all responsibility of issues arising from that compressor bracket being installed on any vehicle. Mount functionality, operation and durability can all be compromised by an incompetent installation.

Due to the many different situations, parameters and application criteria, which are beyond the compressor mount manufacturer's control, TransArctic does not warrant design, durability, or operational functionality of any compressor mount improperly installed by another party.

**With no implied guarantees it is the mount installer's strict responsibility to determine safety and functionality, of the compressor mount, at the time of installation.**

Please contact TransArctic with any issue arising from installation so we may better improve the product. If you have any reservations about the compressor mount integrity contact TransArctic immediately at 1-877-COLD-AIR.