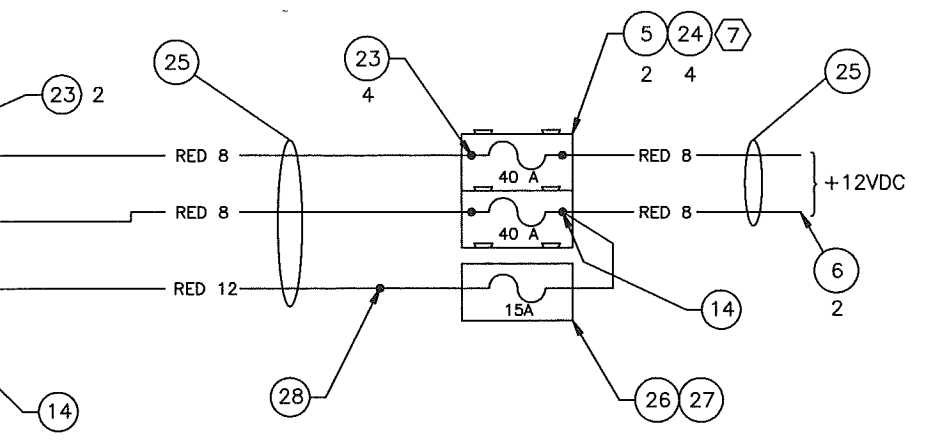
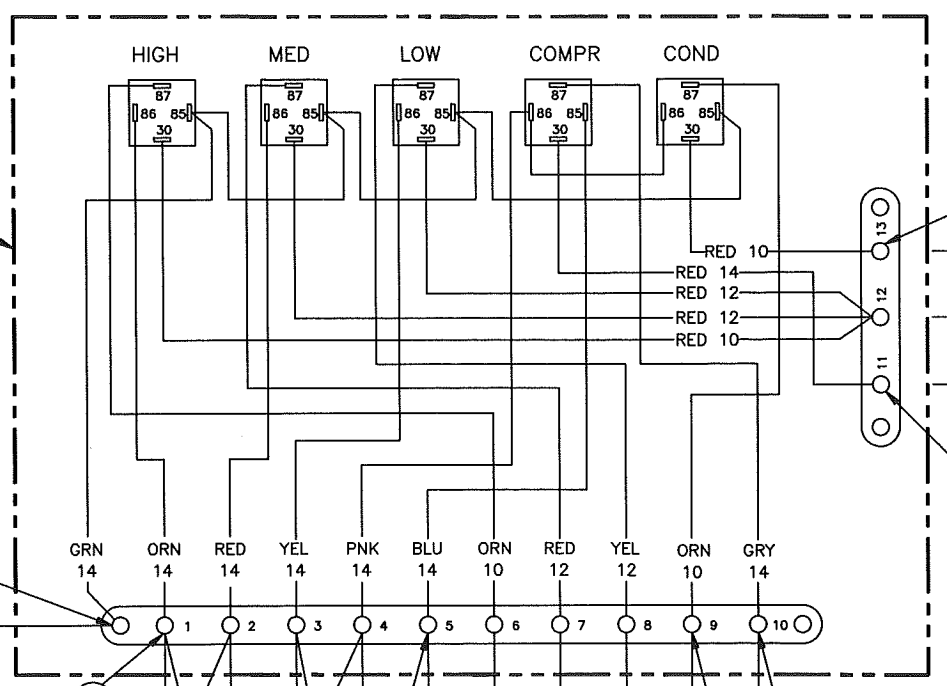
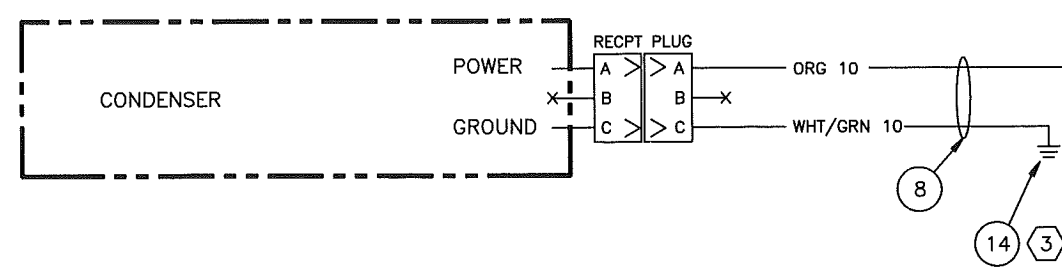
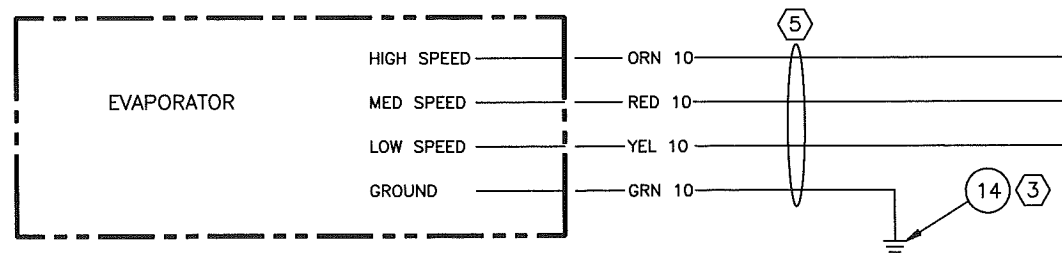
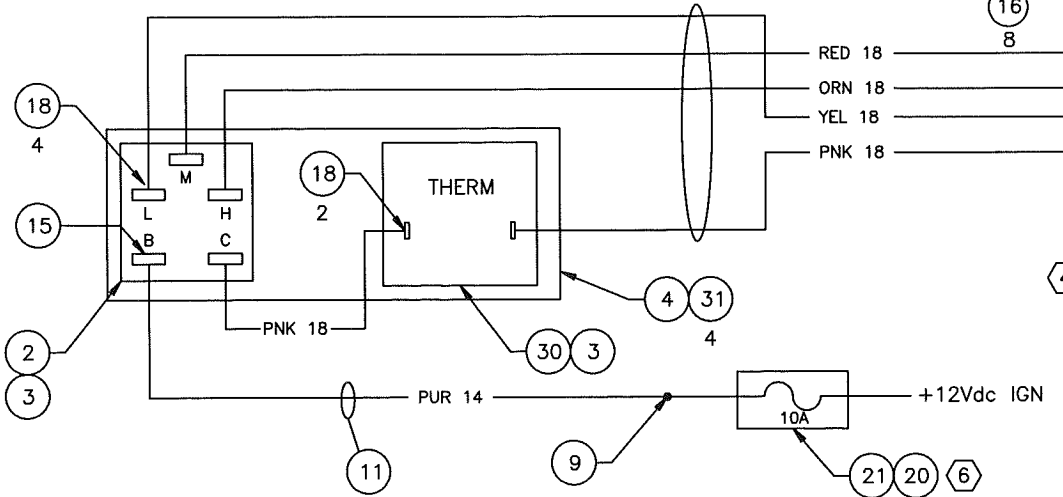


- NOTES:
1. PACKAGE ALL ITEMS AND A COPY OF THIS DRAWING IN CARTON.
 2. IDENTIFY PART NUMBER 5031159 AND REV LEVEL.
 3. GROUND TO CHASSIS AT CLOSEST POINT TO AVOID VOLTAGE LOSS.
 4. PART # 116049 TO BE PURCHASED SEPARATELY. USE ITEM 12 TO SECURE HARNESS AT RELAY BOARD.
 5. PART # 116048 TO BE PURCHASED SEPARATELY. USE ITEM 13 TO SECURE HARNESS AT RELAY BOARD.
 6. INSTALL ITEMS 20 AND 21 AS CLOSE AS POSSIBLE TO IGNITION SOURCE.
 7. FUSE HOLDER ASSEMBLIES MUST BE LOCATED WITHIN 2 FT OF POWER SOURCE & BE COMPLETELY VISIBLE.
 8. MOUNT RELAY BOARD IN A DRY LOCATION PROTECTED FROM ROAD SPRAY. IF THIS IS NOT POSSIBLE PROTECT BOARD WITH SPLASH COVER, T/A P/N 701258, PURCHASED SEPERATELY.

REVISIONS			
REV	DESCRIPTION	DATE	APPROVED
-	INITIAL RELEASE PER ECN 08225	9/25/08	JMH



TERMINALS SHOWN LOOKING AT REAR OF SWITCH



QTY REQD PER ASSY	FSCM NO.	PART NO.	DESCRIPTION	MATERIAL / SPECIFICATION	ITEM NO.
4		619113	SCREW, PAN HD, PHIL, #6 X 1/2, SELF DRILL, BLACK		31
1		111051	THERMOSTAT, ROTARY		30
8FT		116026	WIRE, #12 GA RED		29
1		115012	CONNECTOR, BUTT, 10-12 GA		28
1		110076	FUSE HOLDER, MINI, 12 GA		27
1		110050-15	FUSE, MINI, BLADE-TYPE, 15A		26
20FT		119002	LOOM, 1/2		25
8		619125	SCREW, PAN HD, #6 X 5/8", SELF DRILL		24
12		115003	TERMINAL, #10 RING, 8 GA		23
40FT		116040	WIRE, #8 GA RED		22
1		110050-10	FUSE, MINI, BLADE-TYPE, 10A		21
1		110075	FUSE HOLDER, MINI, 16 GA		20
28		619124	SCREW, HEX WASHER HD, #10 X .50 DRILL POINT		19
6		115029	TERMINAL, FEM 18-22 GA		18
6		115001	TERMINAL, #10 RING, 14-16 GA		17
12		115108	TERMINAL, #10 RING, 18-22 GA		16
1		115031	TERMINAL, FEM 14-16 GA		15
18		115016	TERMINAL, #10 RING 10-12 GA		14
10		611026	CLAMP, INSULATED .75 ID		13
10		611045	CLAMP, INSULATED .38 ID		12
20FT		119005	LOOM, 3/8		11
8FT		116004	WIRE, #14 GA GREEN		10
1		115007	CONNECTOR, BUTT, 14-16 GA		9
2		701336-40	HARNESS, CONDENSER		8
20FT		116023	WIRE, #14 GA PURPLE		7
4		115004	TERMINAL, 5/16 RING, 8 GA		6
4		701401	FUSE HOLDER ASSEMBLY, MIDI, BOLT-ON		5
1		701413	PLATE, SWITCH		4
2		610008	KNOB, ROTARY SWITCH		3
1		113006	SWITCH, ROTARY, 4 POSITION		2
2		701409-01	RELAY BOARD ASSEMBLY		1

UNLESS OTHERWISE SPECIFIED: DIMENSIONS ARE IN INCHES TOLERANCES ON DECIMALS
2PL JPL ANGLE
± ± ±

INTERPRET DRAWING PER DOD-STD-100
REMOVE BURRS AND SHARP EDGES
DO NOT SCALE DRAWING

MATERIAL:

TRANS/AIR MFG CORP
ELECTRICAL INSTALLATION,
T/A 986, BASIC II, 3 SPD,
ROTARY THERM, TRANSIT COMP,
REAR ENGINE

SCALE NTS

DATE 9/25/08
DATE 9/25/08

SIZE D CODE D
DWG NO. 5031159 REV -
SHEET 1 OF 2

NEXT ASSY	USED ON	APPLICATION

