

# Bill of Materials Listing

TransArctic Canada Inc.

11/29/2007

Page 1 of 1

Product Number		Description	Bin	Date	Weight	Uof M	Yield
Line	Component Prod#	Description		Unit	Qty		
<b>KMK72062</b>		<b>Mt Kit, C7, A3RE, 2 TM-16, P8, '07</b>		<b>09/19/07</b>	<b>30.66</b>		<b>0</b>
10	BEL81715	Belt, 8gr, 1715mm (67.5") (5080675)		each	1		
20	BMK70069	Bkt, Main, Weldmt, C7, Vision, 07		each	1		
40	HOR70683	Hose, Rad, 2" ID, Curved (70683)		each	1		
50	CLP00040	Clamp, "P" type, #40, 3/4"w, 2 1/2", PC		each	1		
60	PUL80076	Pulley, Idler, Backside, P8, 76d (89062)		each	1		
70	TEN80002	Tenr, HD Spring, BackSide, CCW (89200A)		each	1		
80	KBK72662	Bag Kit, Fasteners, KMK72662 / KMK72062		each	1		

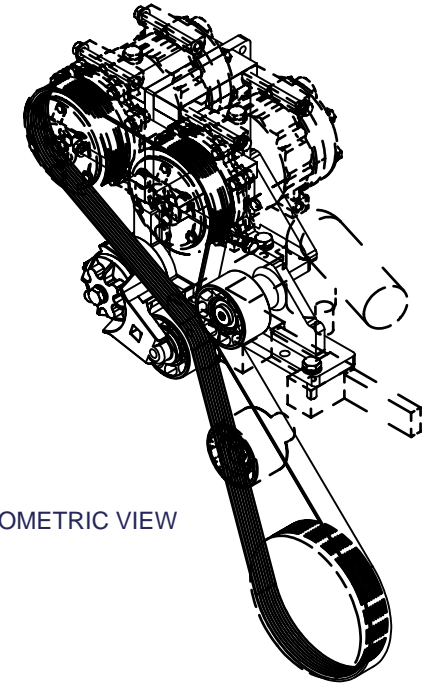
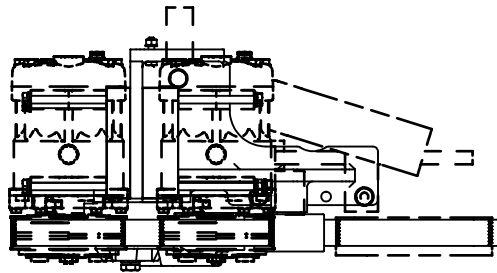
# Bill of Materials Listing

TransArctic Canada Inc.

11/29/2007

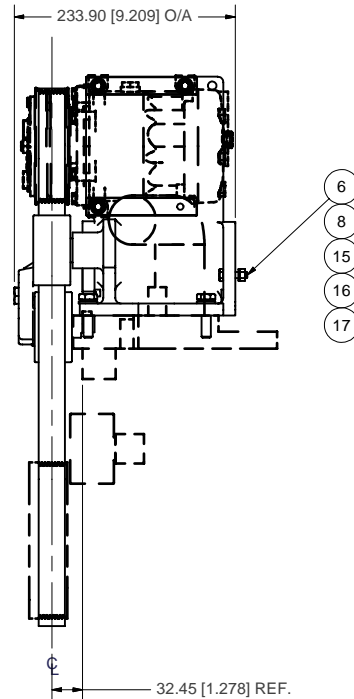
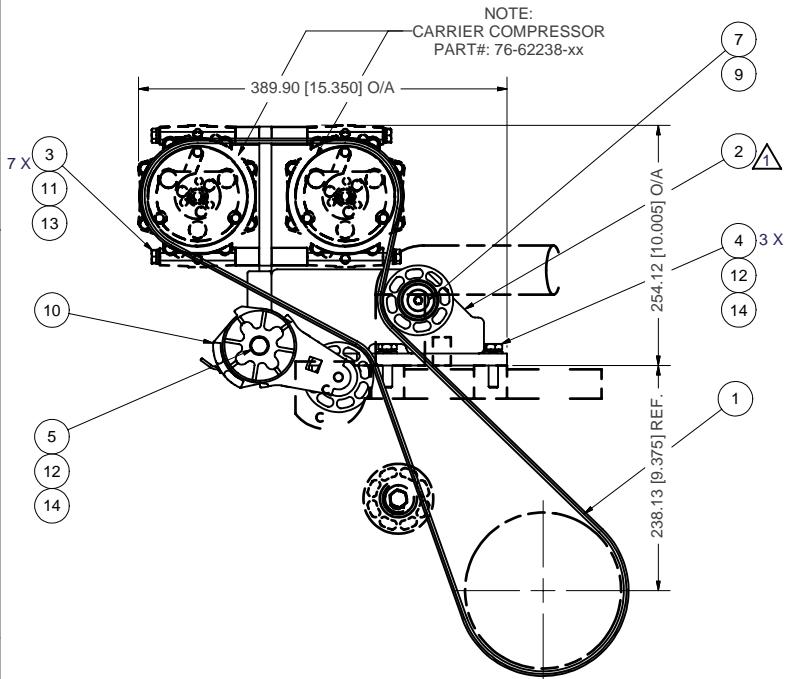
Page 1 of 1

Product Number		Description	Bin	Date	Weight	Uof M	Yield
Line	Component Prod#	Description		Unit	Qty		
<b>KBK72662</b>		<b>Bag Kit, Fasteners, KMK72662 / KMK72062</b>		<b>08/07/07</b>	<b>1.07</b>		<b>0</b>
20	BTC08100	Bolt, Hex, 8 x 1.25 x 100mm, 10.9, Plt		each	7		
30	BTC10040	Bolt, Hex, 10 x 1.5 x 40mm, 10.9, Plt		each	3		
40	BTC10080	Bolt, Hex, 10 x 1.5 x 80mm, 10.9, Plt		each	1		
45	BTP04100	Bolt, Hex, 1/4-20unc, 1", 5, Plt		each	1		
50	BTS10001	Bolt, Shoulder, 10mm (89064)		each	1		
65	NTP04000	Nut, Hex, 1/4-20unc, 5, Plt		each	1		
70	WFA08000	Washer, Flat, 8mm, 8.8, Plt		each	7		
80	WFA10000	Washer, Flat, 10mm, 8.8, Plt		each	4		
90	WLA08000	Washer, Lock, 8mm, 8.8, Plt		each	7		
100	WLA10000	Washer, Lock, 10mm, 8.8, Plt		each	4		
110	WLP04000	Washer, Lock, 1/4", 5, Plt		each	1		



ISOMETRIC VIEW

NOTE:  
CARRIER COMPRESSOR  
PART#: 76-62238-xx



ITEM	QTY	U/M	PART NUMBER	DESCRIPTION
17	1	EACH	HOR70683	HOSE, RAD, 2"ID, CURVED (70683)
16	1	EACH	CLP00040	CLAMP, "P" TYPE, #40, 3/4"w x 2 1/2", PC
15	1	EACH	WLP04000	WASHER, LOCK, 1/4", 5, PLT
14	4	EACH	WLA10000	WASHER, LOCK, 10mm, 8.8, PLT
13	7	EACH	WLA08000	WASHER, LOCK, 8mm, 8.8, PLT
12	4	EACH	WFA10000	WASHER, FLAT, 10mm, 8.8, PLT
11	7	EACH	WFA08000	WASHER, FLAT, 8mm, 8.8, PLT
10	1	EACH	TEN80002	TENR, HD SPRING, BACKSIDE, CCW
9	1	EACH	PUL80076	PULLEY, IDLER, BACKSIDE, P8, 76D, 39W
8	1	EACH	NTP04000	NUT, HEX, 1/4-20UNC, 5, PLT
7	1	EACH	BTS10001	BOLT, SHOULDER, 10mm (IDLER PULLEY)
6	1	EACH	BTP04100	BOLT, HEX, 1/4-20UNC, 1", 5, PLT
5	1	EACH	BTC10080	BOLT, HEX, 10 x 1.5 x 80mm, 10.9, PLT
4	3	EACH	BTC10040	BOLT, HEX, 10 x 1.5 x 40mm, 10.9, PLT
3	7	EACH	BTC08100	BOLT, HEX, 8 x 1.25 x 100mm, 10.9, PLT
2	1	EACH	BMK70069	BKT, MAIN, WELDMT, C7, VISION, 07
1	1	EACH	BEL81715	BELT, 8 GR, 1715mm (67.5") (5080675)

Parts List

DRAWN	brundle	11/29/2007
CHECKED	James Stewart	11/29/2007
QA	Val Jakowlew	11/29/07
MFG	Ron Ingram	11/29/2007
APPROVED	Dale Mason	11/29/2007

**TRANSARCTIC INC.**

TITLE  
**MT KIT, C7, BBRE, 2 TM-16, P8, '07**

SIZE  
**C**

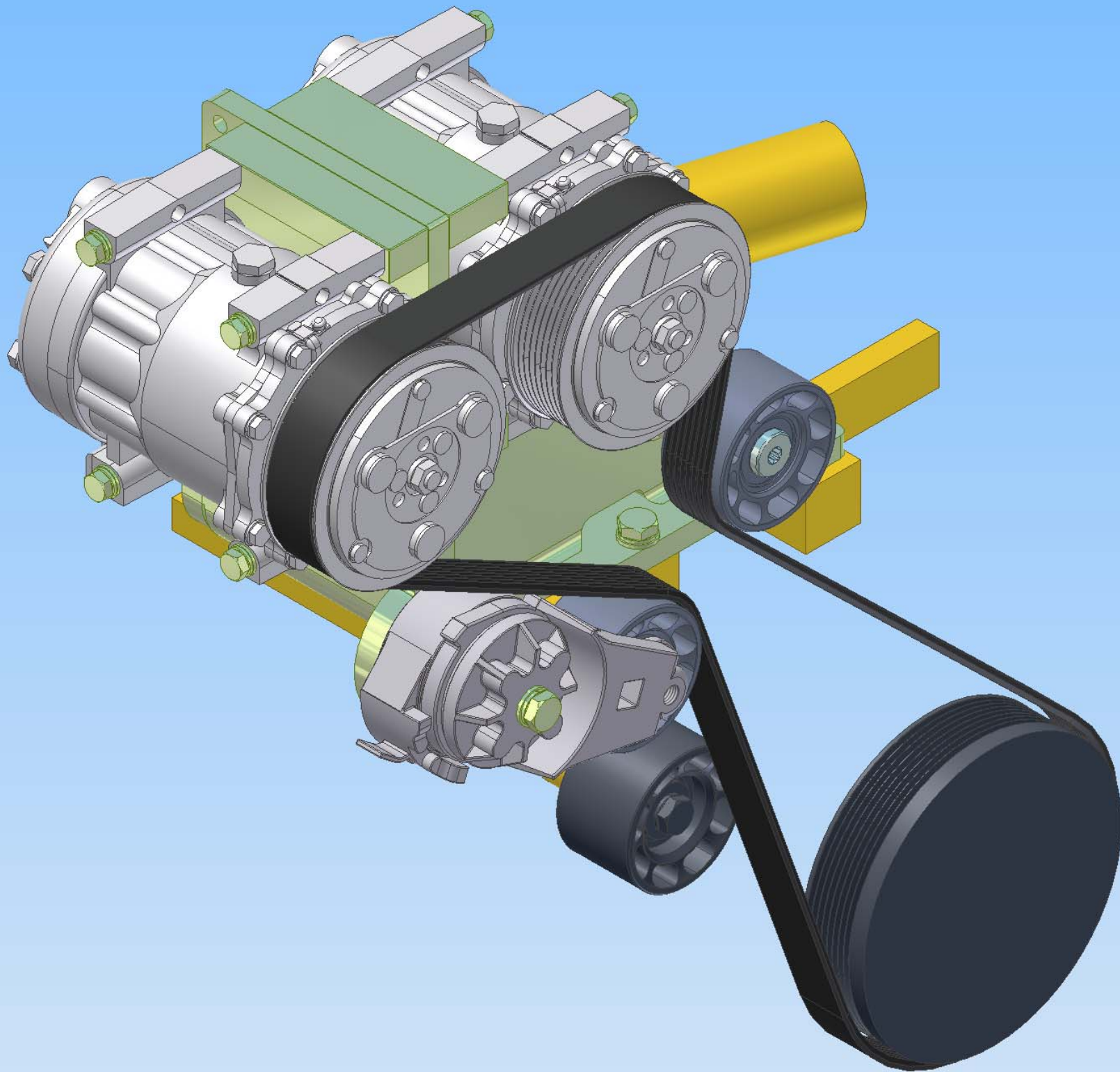
DWG NO  
**KMK72062**

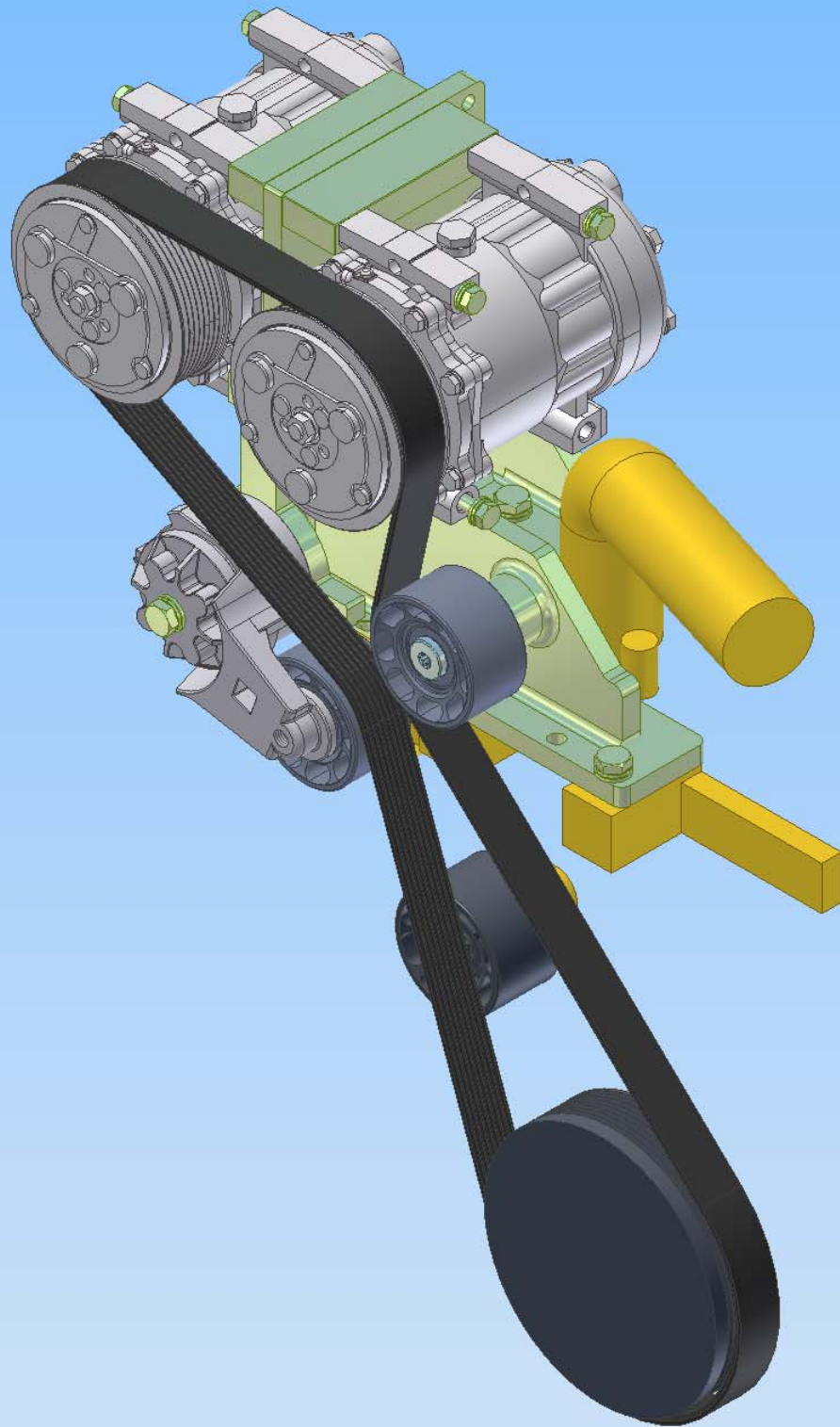
REV  
**1**

1	MODIFIED P/N# BMK70069.	12/8/2008	JRR
0	RELEASED TO PRODUCTION.	11/29/07	VAL
REV/ECN:	DESCRIPTION:	DATE:	BY:
THIS DRAWING CONTAINS PROPRIETARY CONFIDENTIAL INFORMATION OWNED BY TRANSARCTIC CANADA INC. THE DOCUMENT AND THE INFORMATION IN IT ARE NOT TO BE USED, DISCLOSED OR REPRODUCED WITHOUT EXPRESS WRITTEN PERMISSION OF THE COMPANY.			
UNSPECIFIED TOLERANCES:		[ALT. DIM.]	
ONE DECIMAL PLACE (X)	.50	[.020]	
TWO DECIMAL PLACE (XX)	.25	[.010]	
THREE DECIMAL PLACE (XXX)	.10	[.005]	
FRACTIONAL +/- .002"	ANGULAR +/- .50°	THIRD ANGLE PROJECTION	

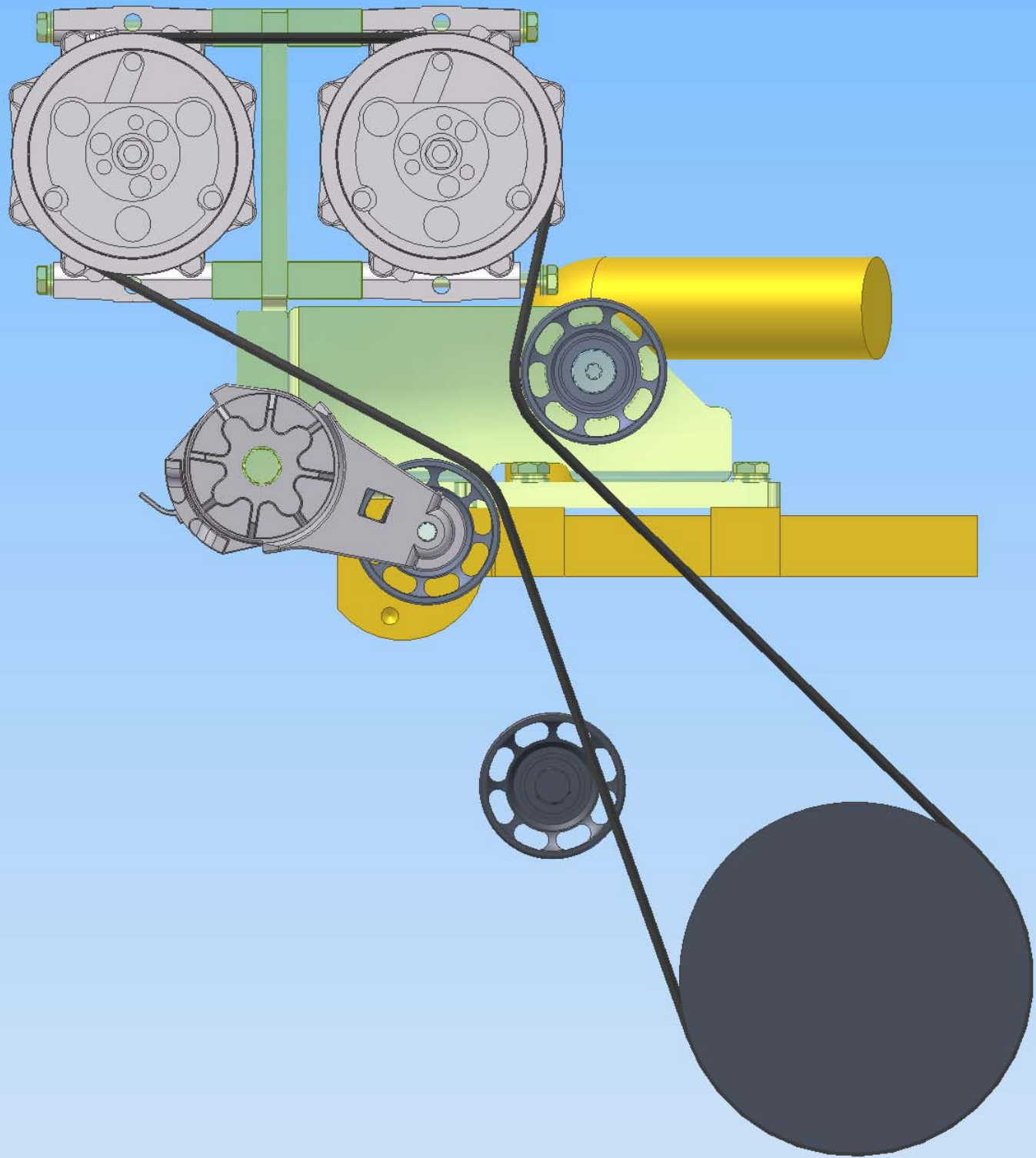
NOTES:

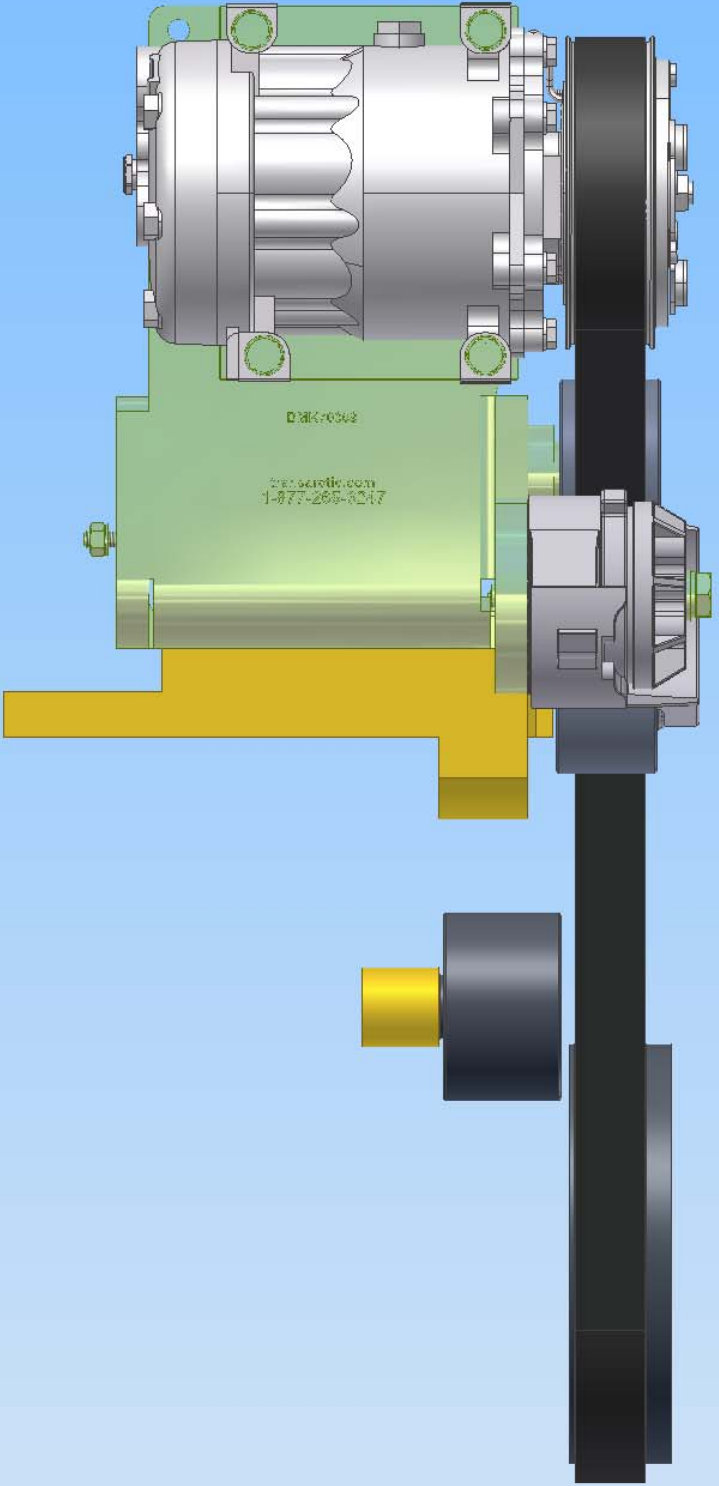
- 1) USE SERVICABLE THREADLOCKER ON ALL FASTENERS TO ENGINE COMPONENTS AND TORQUE **ALL** BOLTS TO S.A.E. SPECIFICATIONS.
- 2) SEE "TRANSARCTIC A/C COMPRESSOR MOUNT INSTALLATION DISCLAIMER".











## **TransArctic A/C Compressor Mount Installation Disclaimer**

All compressor mounts should be installed by qualified and trained personnel using proper tools and equipment in safe working conditions following industry standard guidelines for motor vehicle service and repair.

The installer of any compressor mount purchased from TransArctic must undertake all responsibility of issues arising from that compressor bracket being installed on any vehicle. As well as insure that a **proper and sufficient ground** is established between the compressors' clutches and the vehicle's engine. Mount functionality, operation and durability can all be compromised by an incompetent installation.

Due to the many different situations, parameters and application criteria, which are beyond the compressor mount manufacturer's control, TransArctic does not warrant design, durability, or operational functionality of any compressor mount improperly installed by another party.

**With no implied guarantees it is the mount installer's strict responsibility to determine safety and functionality, of the compressor mount, at the time of installation.**

Please contact TransArctic with any issue arising from installation so we may better improve the product. If you have any reservations about the compressor mount integrity contact TransArctic immediately at 1-877-COLD-AIR.