

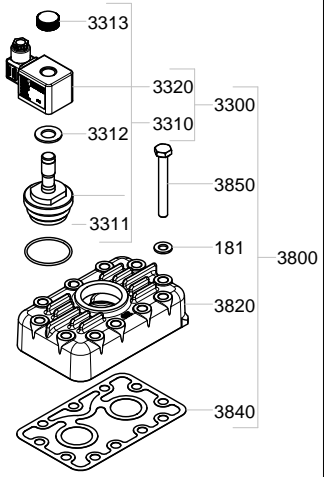
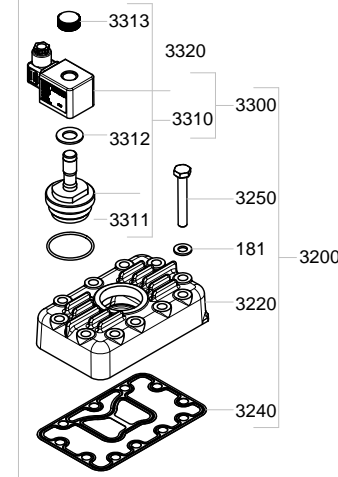
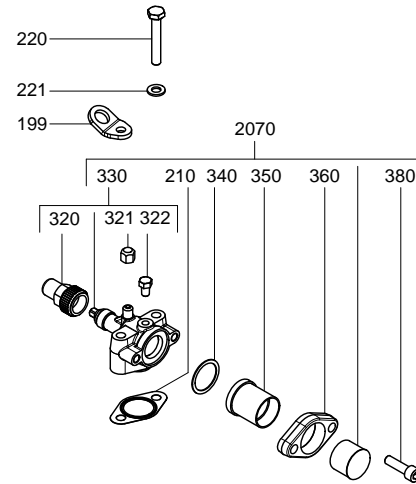
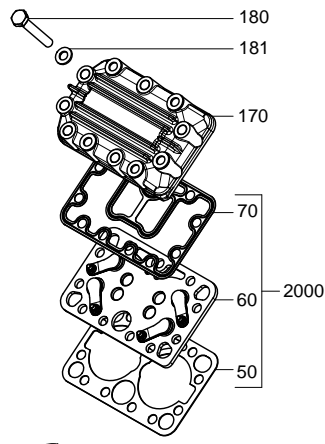
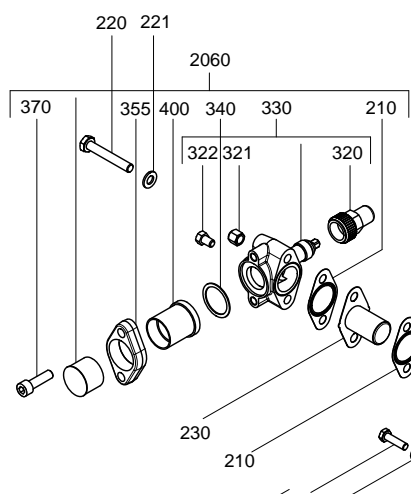
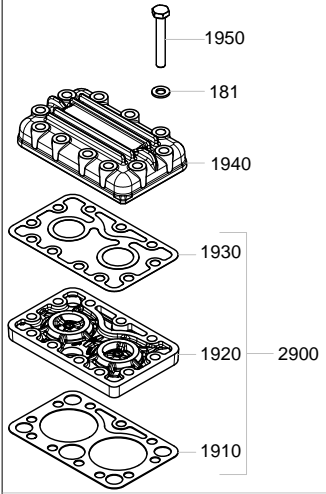
FK40/390-655 K

FK40/390-655 N+TK

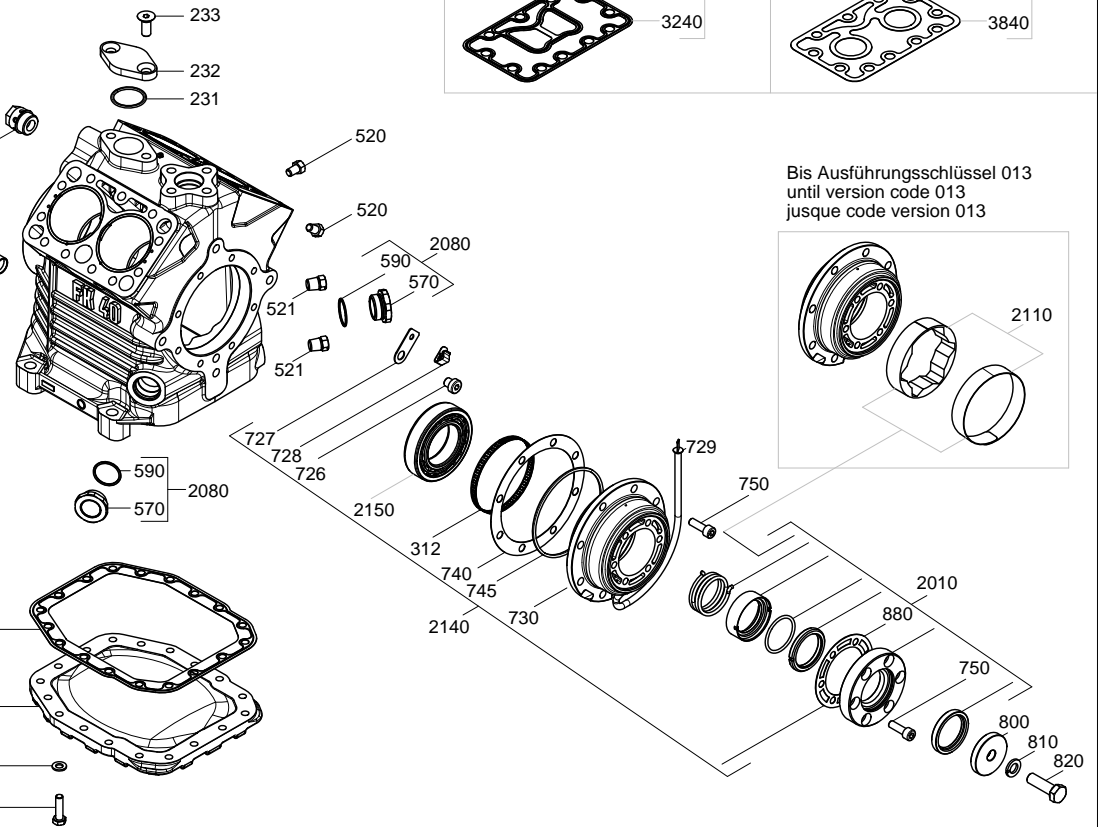
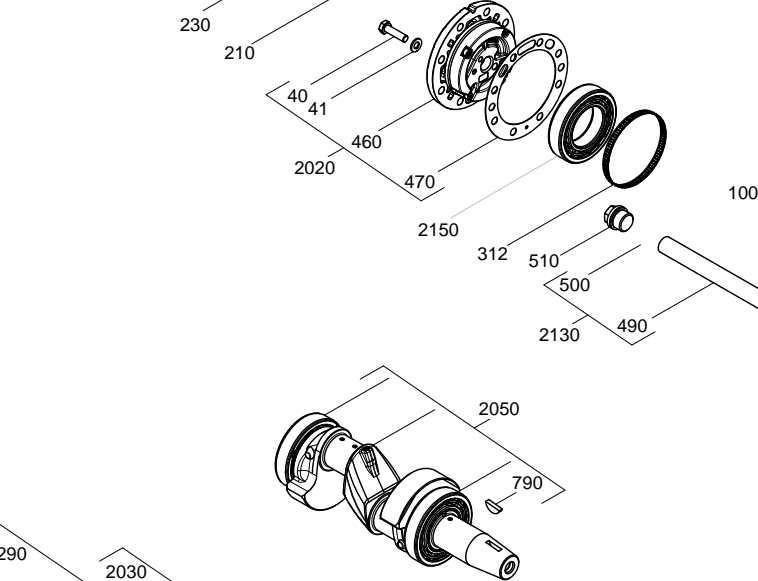
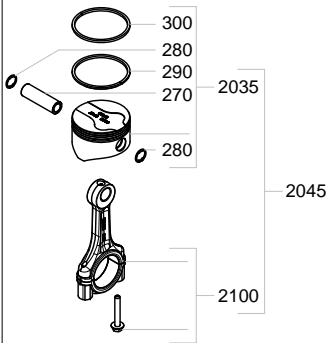
Zubehör / Accessories / Accessoires

FK40/390-655 N+TK

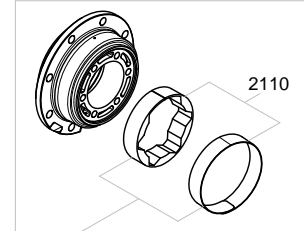
FK40/390-655 K



FK40/390-655 TK



Bis Ausführungsschlüssel 013
until version code 013
jusque code version 013



Fahrzeugverdichter / Vehicle Compressor / Compresseur pour automobiles

Typ	Teile Nr.	Typ	Teile Nr.	Typ	Teile Nr.
FK(X)40/390 N	13977 (13985)	FK(X)40/390 K	13978 (13986)	FK(X)40/390 TK	14339 (14343)
FK(X)40/470 N	13979 (13987)	FK(X)40/470 K	13980 (13988)	FK(X)40/470 TK	14340 (14344)
FK(X)40/560 N	13981 (13989)	FK(X)40/560 K	13982 (13990)	FK(X)40/560 TK	14341 (14345)
FK(X)40/655 N	13983 (13991)	FK(X)40/655 K	13984 (13992)	FK(X)40/655 TK	14342 (14346)

Zeichn.-Nr. / Drawing no. /
Numéro de plan:

1.0851 -13983.0 0f

Stand / As of date / État: 05.13

Bock FK40 Spare Parts List

Position	Item No.	Description	Quantity
20	03876	BASE PLATE H=17.0	1 ST
30	06721	GASKET-BASE PLATE	1 ST
40	06244	HEX.HEAD SCREW M8X30	26 ST
41	05644	DISC A8,4	26 ST
50	05697	GASKET-LOWER VALVE PLATE ø65 FOR FK(X)40/655 N+TK	2 ST
60	07118	VALVE PLATE CPL. ø60/65 FOR FK(X)40/655 N+TK	2 ST
70	06730	GASKET-UPPER VALVE PLATE FOR FK(X)40/655 N+TK	2 ST
100	07940	DECOMPRESSION VALVE M24X1,5	1 ST
170	03384	CYLINDER COVER FOR FK(X)40/655 N+TK	2 ST
180	06034	HEX.HEAD SCREW M10X65 FOR FK(X)40/655 N+TK	22 ST
181	05646	DISC A10,5	22 ST
199	50435	TRANSPORT BRACKET	1 ST
210	50636	GASKET-VALVE FLANGE	3 ST
220	06034	HEX.HEAD SCREW M10X65	4 ST
221	05646	DISC A10,5	3 ST
230	03370	FILTER SUCTION SIDE	1 ST
231	05153	O-RING ø34,59X2,62	1 ST
232	04715	BLANK FLANGE 9MM	1 ST
233	05075	COUNTERSUNK SCREW M10X25	2 ST
270	07857	PISTON PIN ø15X10X50	4 ST
280	05551	CIRCLIP 15X1 DIN 472	8 ST
290	06572	OIL SCRAPER RING PISTON 65	4 ST
300	06564	TAPERED COMPR.RING PISTON 65	4 ST
312	05280	TOLERANCE RING F.BEARING ø90	2 ST
320	05784	CAP NUT M22X1,5	2 ST
321	05789	CAP NUT 7/16"UNF	2 ST
322	05514	LOCKING SCREW 1/8"NPTF	2 ST
330	07128	SHUT-OFF VALVE (AL)	2 ST
340	05067	GASKET RING 42X34X1	2 ST
350	05313	SOLDERED BUSH ø35	1 ST
355	04329	FLANGE OVAL 16MM	1 ST
360	04329	FLANGE OVAL 16MM	1 ST
370	50287	CYLINDER HEAD SCREW M10X35	2 ST
380	50287	CYLINDER HEAD SCREW M10X35	2 ST
400	05313	SOLDERED BUSH ø35	1 ST
460	07990	OIL PUMP COMPLETE	1 ST

470	05094	GASKET-F.OIL P.+REAR BEAR.FL.	1 ST
490	06723	OIL STRAINER	1 ST
500	05342	SEAL RING 27x22x2	1 ST
510	06400	LOCKING SCREW M22X1,5	1 ST
520	05514	LOCKING SCREW 1/8"NPTF	2 ST
521	05801	LOCKING SCREW 1/4"NPTF	2 ST
570	06026	SIGHT GLASS-INSERT ø18 UP TO DESIGN KEY 012	2 ST
	05361	SIGHT GLASS-INSERT ø22 AS OF DESIGN KEY 013	2 ST
590	05142	O-RING ø23,52X1,78 UP TO DESIGN KEY 012	2 ST
	06352	O-RING ø28,30X1,78 AS OF DESIGN KEY 013	2 ST
726	06169	CYLINDER HEAD SCREW M10X10	1 ST
727	03860	CABLE/HOSE HOLDER	1 ST
728	03861	CABLE/HOSE CLAMP	1 ST
729	50184	HAFT PLUG ø5 (PHT,BLACK)	1 ST
730	06726	FRONT BEARING FLANGE	1 ST
740	06165	GASKET-FRONT BEARING FLANGE	1 ST
745	05169	O-RING ø101,19X3,53	1 ST
750	06067	CYLINDER HEAD SCREW M8X25	14 ST
790	05673	WOODRUFF KEY A5X9 DIN 6888	1 ST
800	04425	DISC ø50X12,5X8	1 ST
810	05666	SPRING WASHER B12	1 ST
820	05462	HEX.HEAD SCREW M12X40	1 ST
880	05063	GASKET-SHAFT SEAL COVER	1 ST
1910	06642	GASKET-LOWER VALVE PLATE ø65 FOR FK(X)40/655 K	2 ST
1920	07700	VALVE PLATE CPL. ø50/55/60/65 FOR FK(X)40/655 K	2 ST
1930	06162	GASKET-UPPER VALVE PLATE FOR FK(X)40/655 K	2 ST
1940	03381	CYLINDER COVER FOR FK(X)40/655 K	2 ST
1950	05457	HEX.HEAD SCREW M10X70 FOR FK(X)40/655 K	22 ST
		----- ASSEMBLY KITS -----	
2000	80241	SET-VALVE PLATE FOR FK(X)40/655 N+TK	2 ST
2010	80682	SET-SHAFT SEAL FK40+50 W.MINERAL OIL CHARGE	1 ST
	80023	SET-SHAFT SEAL FKX40+50 W.ESTER OIL CHARGE	1 ST
2020	80017	SET-OIL PUMP	1 ST
2030	80105	SET-PISTON ø65 (OPTIMIZED) FOR FK(X)40/655 N+K	4 ST
2035	80225	SET-PISTON ø65 (CONT +OPTIM)	4 ST

		FOR FK(X)40/655 TK	
2040	80111	SET-PISTON-CONN.W.2 RINGS/65 FOR FK(X)40/655 N+K	4 ST
2045	80226	SET-PISTON-CONN.(65,G.+OPTIM.) FOR FK(X)40/655 TK	4 ST
2050	80154	SET-CRANKSHAFT 49 STROKE,OPT.	1 ST
2060	08082	SET-SHUT-OFF VALVE NS32 (AL)	1 ST
2070	08082	SET-SHUT-OFF VALVE NS32 (AL)	1 ST
2080	08698	SET-SIGHT GLASS ø18 UP TO DESIGN KEY 012	2 ST
	08552	SET-SIGHT GLASS ø22 AS OF DESIGN KEY 013	2 ST
2090	80230	SET-GASKETS FOR FK(X)40/655 N+TK NOT SHOWN	1 ST
	80001	SET-GASKETS FOR FK(X)40/655 K NOT SHOWN	1 ST
2100	08449	SET-CONNECTING ROD	4 ST
2110	80129	SET-CLAMP.RING W.FELT INSERT UP TO DESIGN KEY 013	1 ST
2130	80076	SET-OIL STRAINER	1 ST
2140	80081	SET-FRONT BEARING FLANGE	1 ST
2150	80118	SET-CYLINDRICAL ROLLER BEARING	2 ST
2900	80010	SET-VALVE PLATE FOR FK(X)40/655 K	2 ST
		----- ACCESSORIES -----	
3200	08704	SET-CAP.REG.CR87 24V DC WITH CYLINDER COVER FOR FK(X)40/655 N+TK	1 ST
3220	03383	CYLINDER COVER F.CR, W.BUSH FOR FK(X)40/655 N+TK	1 ST
3240	06730	GASKET-UPPER VALVE PLATE FOR FK(X)40/655 N+TK	1 ST
3250	05457	HEX.HEAD SCREW M10X70 FOR FK(X)40/655 N+TK	11 ST
3300	08418	SET-CAP.REG.CR87 24V DC	1 ST
3310	07541	VALVE BODY LR87	1 ST
3311	05987	O-RING ø48,0X2,5 GREEN	1 ST
3312	05143	DISC ø30X16X2,0	1 ST
3313	05885	KNURLED NUT M15X1 WITH O-RING	1 ST
3320	07526	SOLENOID COIL 24V DC	1 ST
	07525	SOLENOID COIL 12V DC	1 ST
3600	80022	SET-REPLACEMENT ADAPTOR SET THE SAME SHUT-OFF VALVE POSITIONING SIMILAR TO FK4/467 NOT SHOWN	1 ST
3800	08709	SET-CAP.REG.CR87 24V DC WITH CYLINDER COVER FOR FK(X)40/655 K	1 ST

3820	03323	CYLINDER COVER F.CR, W.BUSH FOR FK(X)40/655 K	1 ST
3840	06162	GASKET-UPPER VALVE PLATE FOR FK(X)40/655 K	1 ST
3850	06338	HEX.HEAD SCREW M10X85 FOR FK(X)40/655 K	11 ST
3999	02279	REFR.MACH.OIL SP46 / 1 LTR.CAN	1 ST
	02280	REFR.MACH.OIL SP46 / 5 LTR.CAN	1 ST
	02281	REFR.MACH.OIL SP46 /20 LTR.CAN NOT SHOWN	1 ST
	02282	REFR.MACH.OIL SE55 / 1 LTR.CAN	1 ST
	02283	REFR.MACH.OIL SE55 / 5 LTR.CAN	1 ST
	02284	REFR.MACH.OIL SE55 /10 LTR.CAN NOT SHOWN ONLY FOR X-COMPRESSORS!	1 ST