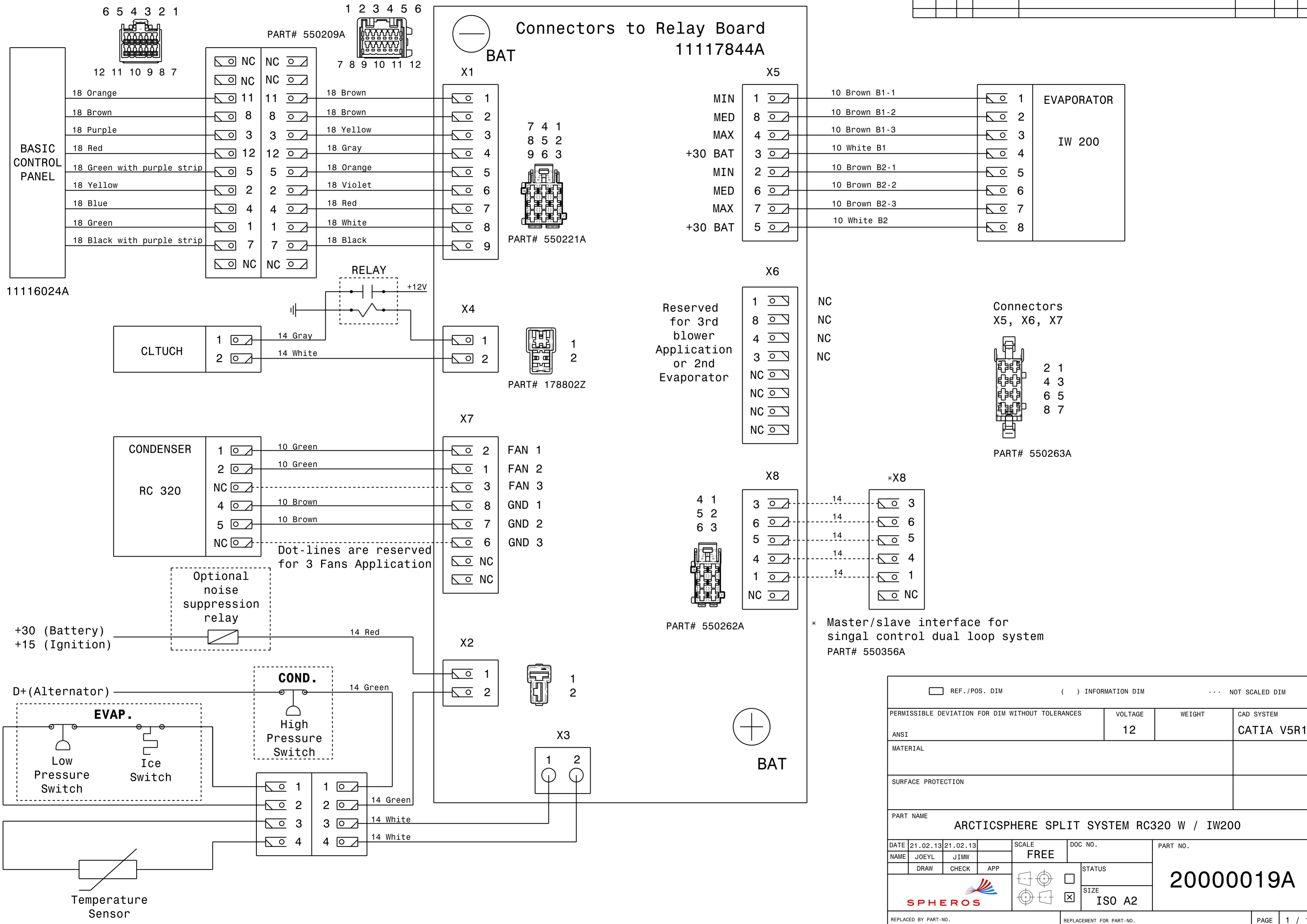


CL1	CL2	QTY	NUMBER	CHANGE	DD. MM. YY	DRAW	CHECK



REF./POS. DIM		INFORMATION DIM		NOT SCALED DIM	
PERMISSIBLE DEVIATION FOR DIM WITHOUT TOLERANCES		VOLTAGE	WEIGHT	CAD SYSTEM	
ANSI		12		CATIA V5R19	
MATERIAL					
SURFACE PROTECTION					
PART NAME ARCTICSPHERE SPLIT SYSTEM RC320 W / IW200					
DATE	21.02.13	21.02.13	SCALE	DOC NO.	PART NO.
NAME	JOEYL	JIMW	FREE		20000019A
DRAW	CHECK	APP			
SPHEROS			STATUS		SIZE
			ISO A2		
REPLACED BY PART-NO.			REPLACEMENT FOR PART-NO.		PAGE 1 / 1