

Bill of Materials Listing

TransArctic Canada Inc.

2/23/2012
Page 1 of 1

Product Number		Description	Bin	Date	Weight	Uof M	Yield
Line	Component Prod#	Description		Unit	Qty		
KMC82491		Mt Kit, XBR-ISC, 05K, 2B, 8" Crank, '10		3/4/2011	170.51		0
20	BEL32311	Belt, Banded B gr, 2311mm (91")		each	1		
30	BMC83080	Bkt, Main, Frt PI, XBR-ISC		each	1		
40	BMC83081	Bkt, Main, RR PI, XBR-ISC		each	1		
50	BMC83082	Bkt, Main, Alt PI, XBR-ISC		each	1		
60	BMC83083	Bkt, Main, Idler, XBR-ISC		each	1		
70	BMC83087	Bkt, Dampner, Weldm't, XBR-ISC		each	1		
80	BMC83090	Bkt, PI, Coolant, XBR-ISC		each	1		
100	BMN80008	Vibration Isolator, Bar, 16.50 x 2 x 1.50		each	2		
110	BMN80009	Bkt, Main, Base PI, IC, RE300		each	1		
115	BMN80025	Bkt, Back, PL, Slide, IC, RE300		each	1		
120	KKT82461	Mt Kit, Transit, O5K, '07		each	1		
130	PUL80074	Pulley, Idler, B/S, Wide, 76d (89102)		each	2		
140	PUL83004	Pulley, Crank, ISC, 8.3L, 2B/X, 8", '08		each	1		
150	SCD09510	Spacer, Col, Drl, 9.53mm x 25.4o x 10.32i		each	1		
160	SCD65110	Spacer, Chmr, Drl, 65.1mm x 34.9o x 10.32i		each	1		
170	SLV17010	Sleeve, Pulley, 16.9o x 22.23mm x 10.32i		each	2		
180	KBC82491	Bag Kit, Fasteners, KMC82491		each	1		

Bill of Materials Listing

TransArctic Canada Inc.

2/23/2012
Page 1 of 1

Product Number		Description	Bin	Date	Weight	Uof M	Yield
Line	Component Prod#	Description		Unit	Qty		
KBC82491		Bag Kit, Fasteners, KMC82491		3/11/2011	5.30		0
10	BTC10035	Bolt, Hex, 10 x 1.5 x 35mm, 10.9, Plt,FT		each	7		
20	BTC10040	Bolt, Hex, 10 x 1.5 x 40mm, 10.9, Plt,FT		each	4		
30	BTC10065	Bolt, Hex, 10 x 1.5 x 65mm, 10.9, Plt,FT		each	1		
40	BTC10120	Bolt, Hex, 10 x 1.5 x 120mm, 10.9, Plt		each	1		
50	BTC12060	Bolt, Hex, 12 x 1.75 x 60mm, 10.9,Plt,FT		each	4		
60	BTQ08126	Bolt, Hex, 1/2-20unf, 1.25", 8, Plt		each	9		
80	BTQ08151	Bolt, Hex, 1/2-20unf, 1.5", 8, Plt		each	3		
90	BTQ08200	Bolt, Hex, 1/2-13unc, 2.0", 8, Plt		each	6		
105	BTP08653	Bolt, Hex, 1/2-13unc, 6.5", 5, Plt, FT		each	1		
110	NTA10000	Nut, Hex, 10 x 1.5, 8.8, Plt		each	9		
120	NTP08000	Nut, Hex, 1/2-13unc, 5, Plt		each	4		
130	WFA10000	Washer, Flat, 10mm, 8.8, Plt		each	11		
135	WFA10002	Washer, Flat, 10mm, Hvy, 8.8, Plt		each	2		
140	WFQ08000	Washer, Flat, 1/2", 8, Plt		each	20		
150	WLA10000	Washer, Lock, 10mm, 8.8, Plt		each	13		
170	WLQ08000	Washer, Lock, 1/2", 8, Plt		each	17		

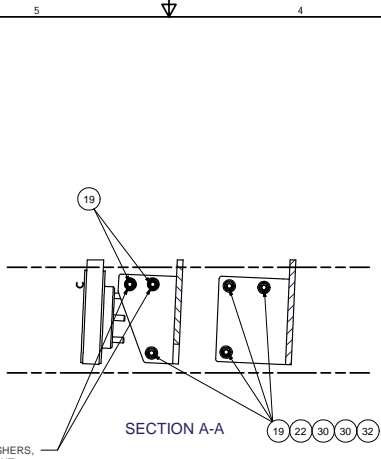
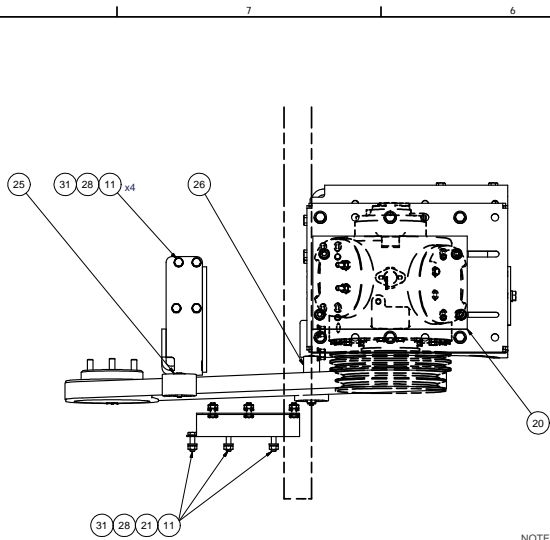
Bill of Materials Listing

4/15/2011

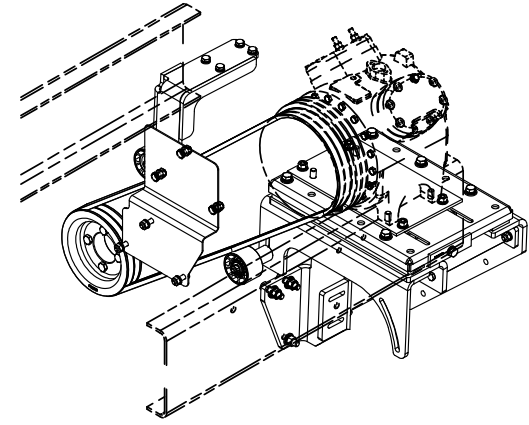
TransArctic Canada Inc.

Page 1 of 1

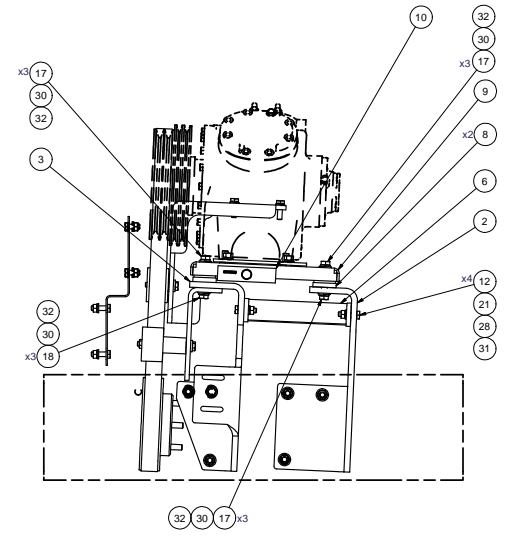
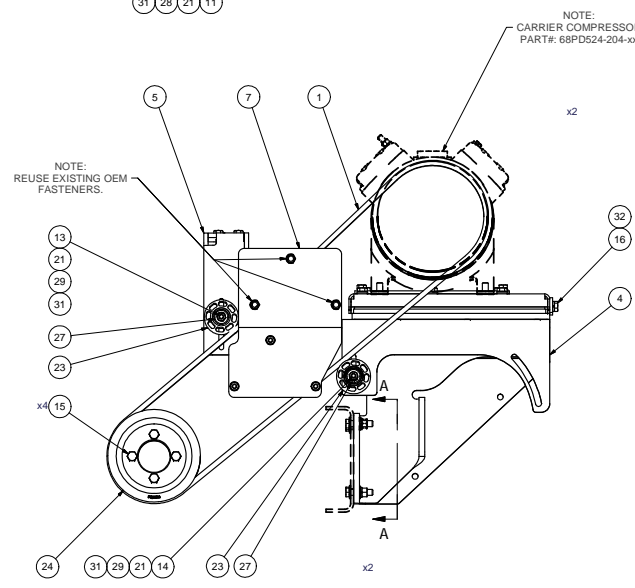
Product Number	Description	Date	Weight	Uof M	Yield
Line Component Prod#	Description	Bin Unit	Qty		
KKT82461	Mt Kit, Transit, O5K, '07		10/19/2007	13.98	0
10 BMN80031	Bkt, Main, Slide, Assy, 05K, IC, RE300	each	1		
20 BMN80032	Bkt, Adapter, PL, IC, RE300	each	1		
30 CSF08100	Capscrew, FH, 1/2-13 x 1", Alloy, Plt	each	4		
40 NTP07000	Nut, Hex, 7/16-14unc, 5, Plt	each	4		
50 WFN07000	Washer, Flat, 7/16", 2, Plt	each	4		
60 WLP07000	Washer, Lock, 7/16", 5, Plt	each	4		



NOTE:
REUSE EXISTING OEM WASHERS,
LOCK WASHERS AND NUT.



ISOMETRIC VIEW

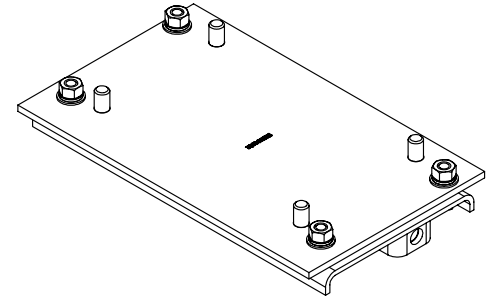
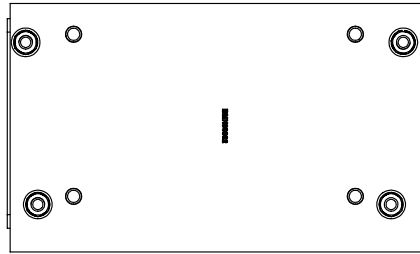


ITEM	QTY	U/M	PART NUMBER	DESCRIPTION
32	17	EACH	WLO08000	WASHER, LOCK, 1/2", 8, PLT
31	13	EACH	WLA10000	WASHER, LOCK, 10mm, 8.8, PLT
30	20	EACH	WFO08000	WASHER, FLAT, 1/2", 8, PLT
29	2	EACH	WFA10002	WASHER, FLAT, 10mm, HWY, 8.8, PLT
28	11	EACH	WFA10000	WASHER, FLAT, 10mm, 8.8, PLT
27	2	EACH	SLV17010	SLEEVE, PULLEY, 16.90 x 22.23mm x 10.32i
26	1	EACH	SCD65110	SPACER, COL. DRL, 65.1mm x 34.90 x10.32i
25	1	EACH	SCD09510	SPACER, COL. DRL, 9.53mm x 25.40 x10.32i
24	1	EACH	PUL83004	PULLEY, CRANK, ISC, 8.3L, 2B/X, 8", '08
23	2	EACH	PUL80074	PULLEY, IDLER, BACKSIDE, PB, 74D, 46.27W
22	4	EACH	NTP08000	NUT, HEX, 1/2-13UNC, 5, PLT
21	9	EACH	NTA10000	NUT, HEX, 10 x 1.5, 8.8, PLT
20	1	EACH	KKT82461	MT KIT, TRANSIT, OSK, 07
19	6	EACH	BTQ08200	BOLT, HEX, 1/2-13UNC x 2.00, 8, PLT
18	3	EACH	BTQ08151	BOLT, HEX, 1/2-20UNF x 1.50, 8, PLT
17	9	EACH	BTQ08126	BOLT, HEX, 1/2-13UNC x 1.25, 8, PLT
16	1	EACH	BTQ08653	BOLT, HEX, 1/2-13UNC x 6.50, 5, PLT, FT
15	4	EACH	BTC12060	BOLT, HEX, 12 x 1.75 x 60mm, 10.9, PLT
14	1	EACH	BTC10120	BOLT, HEX, 10 x 1.5 x 120mm, 10.9, PLT
13	1	EACH	BTC10065	BOLT, HEX, 10 x 1.5 x 65mm, 10.9, PLT
12	4	EACH	BTC10040	BOLT, HEX, 10 x 1.5 x 40mm, 10.9, PLT
11	7	EACH	BTC10035	BOLT, HEX, 10 x 1.5 x 35mm, 10.9, PLT
10	1	EACH	BMN80025	BKT, BACK, PL, SLIDE, IC, RE300
9	1	EACH	BMN80009	BKT, MAIN, BASE, PL, IC, RE300
8	2	EACH	BMN80008	VIBRATION ISOLATOR, BAR, 16.50 x 2 x 1.50
7	1	EACH	BMC83090	BKT, PL, COOLANT, XBR-ISC
6	1	EACH	BMC83087	BKT, DAMPNER, WELDM'T, XBR-ISC
5	1	EACH	BMC83083	BKT, MAIN, IDLER, XBR-ISC
4	1	EACH	BMC83082	BKT, MAIN, ALT PL, XBR-ISC
3	1	EACH	BMC83081	BKT, MAIN, RR PL, XBR-ISC
2	1	EACH	BMC83080	BKT, MAIN, FRT PL, XBR-ISC
1	1	EACH	BEL32311	BELT, Banded B Gr, 2311mm (91")

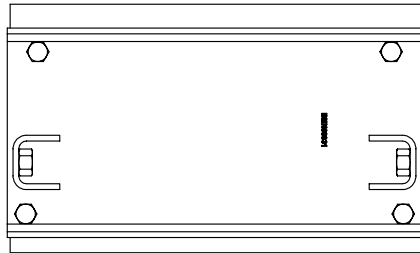
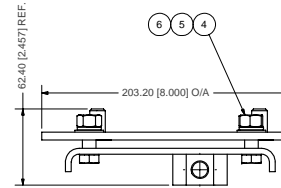
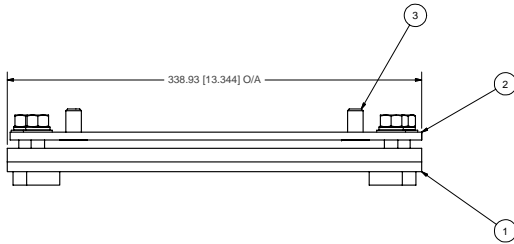
NOTES:
1) USE SERVICABLE THREADLOCKER ON ALL FASTENERS TO ENGINE COMPONENTS AND TORQUE ALL BOLTS TO S.A.E. SPECIFICATIONS.
2) SEE "TRANSARTIC A/C COMPRESSOR MOUNT INSTALLATION DISCLAIMER".

UNSPECIFIED TOLERANCES:	ALL DIMS	FRONT VIEW
ONE DECIMAL PLACE (.X)	30	FRONT VIEW
TWO DECIMAL PLACES (.XX)	25	FRONT VIEW
FRACTIONAL (1/16")	ANGULAR	FRONT VIEW

DRAWN vjakowlew	2/23/2012	
CHECKED Jose Rodriguez	2/23/2012	
REVIEWED James Stewart	2/23/2012	
APPROVED Dale Mason	2/23/2012	
TITLE		MT KIT, XBR-ISC, 05K, 2B, 8" CRANK, '10
SIZE		DWG NO KMC82491
DRAWING UNIT OF MEASURE		MM (INCH)
SCALE		3:16
SHEET		1 OF 1



ISOMETRIC VIEW



- NOTES:**
- 1) USE SERVICABLE THREADLOCKER ON ALL FASTENERS TO ENGINE COMPONENTS AND TORQUE **ALL BOLTS** TO S.A.E. SPECIFICATIONS.
 - 2) SEE 'TRANSARGTIC A/C COMPRESSOR MOUNT INSTALLATION DISCLAIMER'.
 - 3) WEIGHT: 13.96 LB

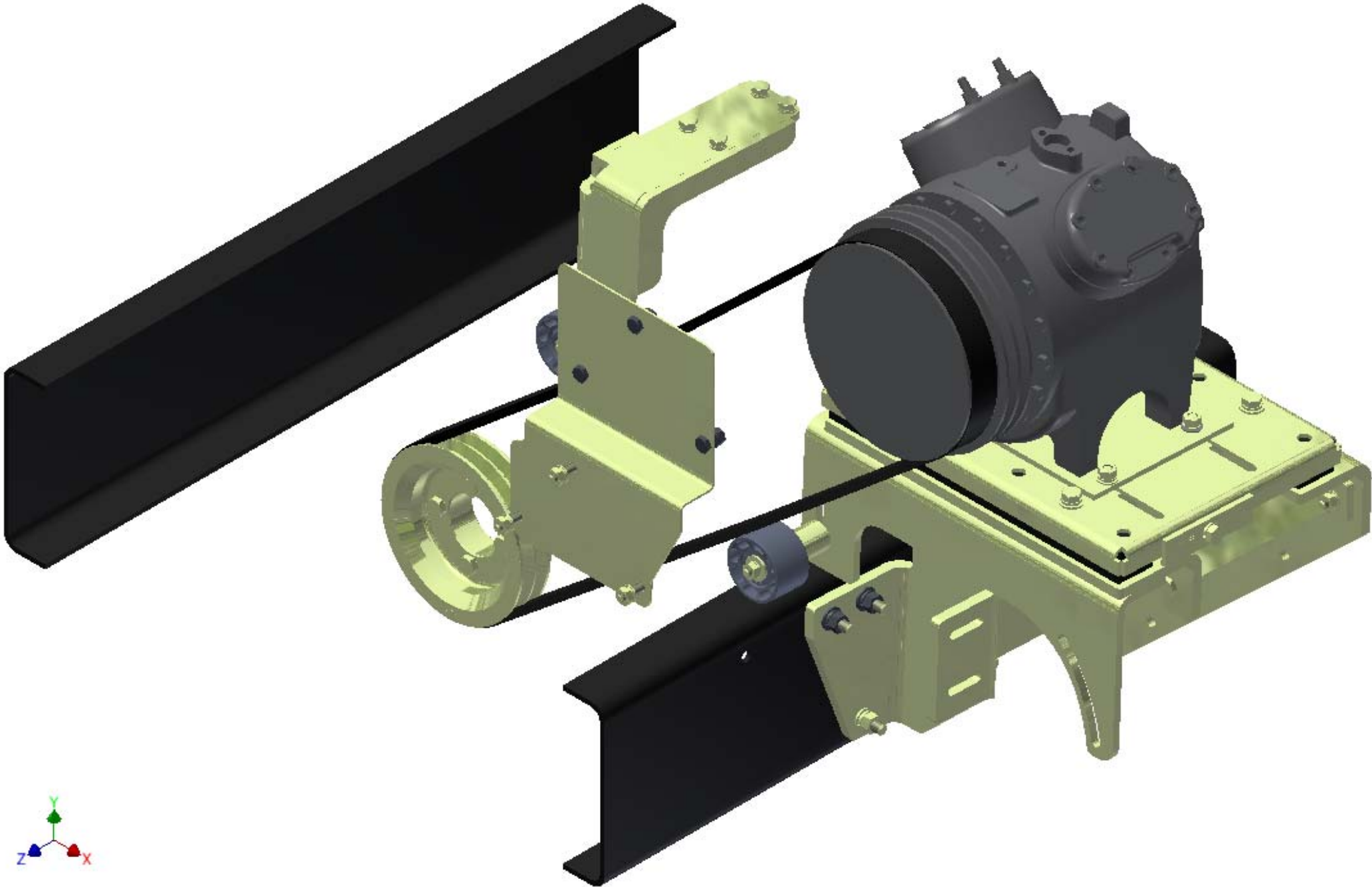
ITEM	QTY	U/M	PART NUMBER	DESCRIPTION
6	4	EACH	WLP07000	WASHER, LOCK, 7/16", 5, PLT
5	4	EACH	WFN07000	WASHER, FLAT, 7/16", 2, PLT
4	4	EACH	NTP07000	NUT, HEX, 7/16-14UNC, 5, PLT
3	4	EACH	CSP08100	CAPSCREW, FH, 3/8-16 x 1", 9, PLT
2	1	EACH	BMN80032	BKT, ADAPTER, PL, IC, RE300
1	1	EACH	BMN80031	BKT, MAIN, SLIDE, ASSY, OSK, IC, RE300

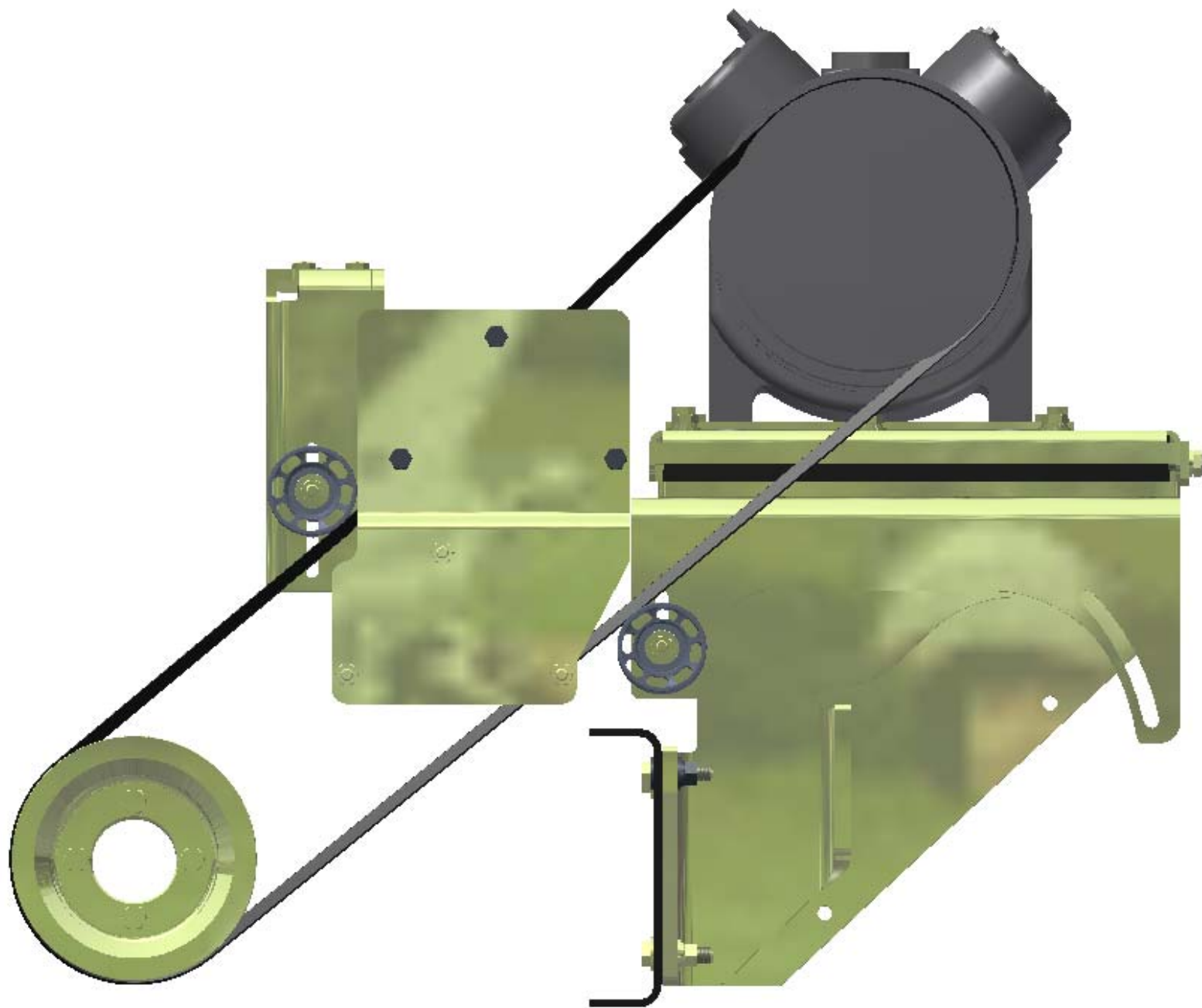
TRANSARGTIC INC.

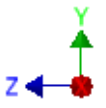
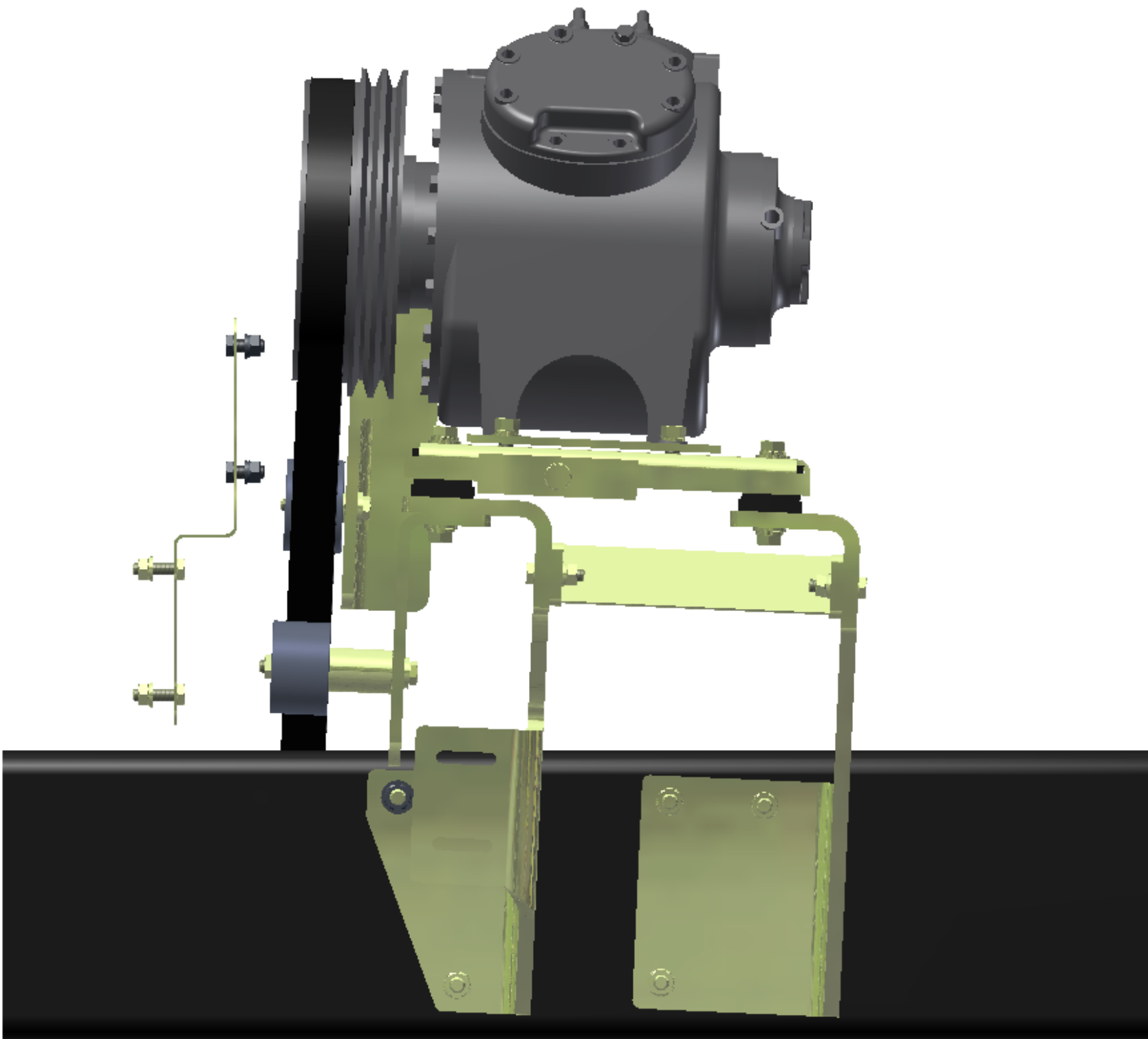
DRAWN Jose Rodriguez 10/20/2008 CHECKED Val Jakowlew 10/20/2008 TITLE TRANSARGTIC INC.	DATE: 10/20/2008 BY: Val Jakowlew DESCRIPTION: MT KIT, TRANSIT, OSK, '07	REV: 0 RELEASED TO PRODUCTION: 10/20/2008 APPROVED Ron Ingram 10/20/2008 APPROVED Dale Mason 10/20/2008	DWG NO KKT82461 REV 0
--	--	--	--------------------------------

UNSPECIFIED TOLERANCES: DIM DECIMAL PLACE (X) .00 (2D) DIM DECIMAL PLACE (X) .00 (3D) DIM DECIMAL PLACE (X) .00 (3D) FRACTIONAL (X) 1/32 (2D) FRACTIONAL (X) 1/32 (3D) ANGULAR (X) .01 (2D) ANGULAR (X) .01 (3D)	
---	--

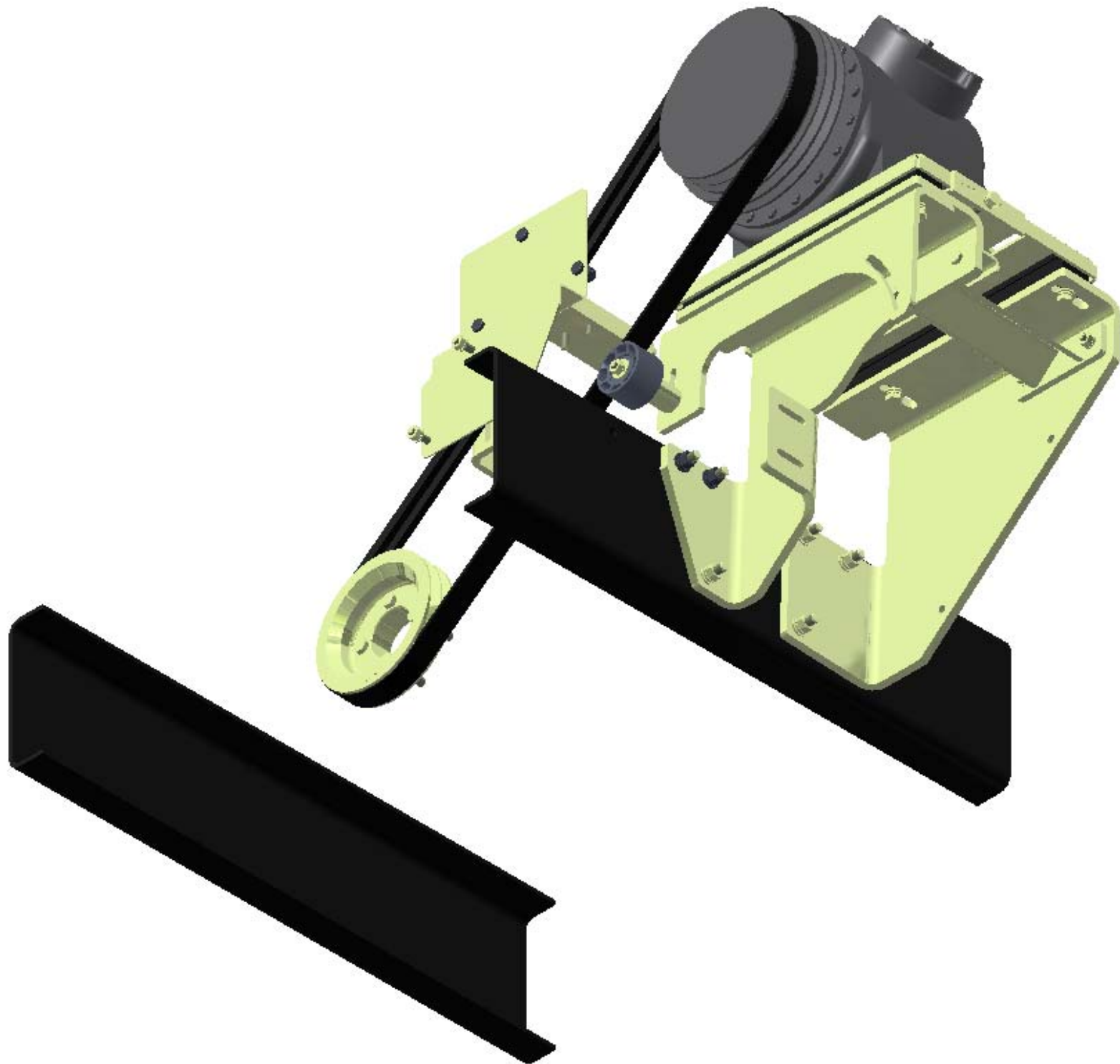
DRAWING UNIT OF MEASURE	MM (INCH)	SCALE	1:2	SHEET	1	OF	1
-------------------------	-----------	-------	-----	-------	---	----	---











TransArctic A/C Compressor Mount Installation Disclaimer

All compressor mounts should be installed by qualified and trained personnel using proper tools and equipment in safe working conditions following industry standard guidelines for motor vehicle service and repair.

The installer of any compressor mount purchased from TransArctic must undertake all responsibility of issues arising from that compressor bracket being installed on any vehicle. As well as insure that a **proper and sufficient ground** is established between the compressors' clutches and the vehicle's engine. Mount functionality, operation and durability can all be compromised by an incompetent installation.

Due to the many different situations, parameters and application criteria, which are beyond the compressor mount manufacturer's control, TransArctic does not warrant design, durability, or operational functionality of any compressor mount improperly installed by another party.

With no implied guarantees it is the mount installer's strict responsibility to determine safety and functionality, of the compressor mount, at the time of installation.

Please contact TransArctic with any issue arising from installation so we may better improve the product. If you have any reservations about the compressor mount integrity contact TransArctic immediately at 1-877-COLD-AIR.

Mark OEM tensioner location

Install Kit

Check for Interferences

Check to ensure that the proper OEM tensioner orientation is maintained

Run engine with A/C system engaged for at least 10 minutes to run in belt

Check OEM tensioner orientation and adjust as required

Responsabilidad limitada de TransArctic en la instalación del soporte del compresor

Todos los soportes de los compresores deben ser instalados por personas calificadas y entrenadas, usando para ello los equipos y herramientas necesarios para esta labor en buenas condiciones y según las normas y guías para el servicio y/o reparación de motores de vehículos.

El instalador de los soportes comprados en TransArctic asume toda la responsabilidad de cualquier problema que surga en el soporte del compresor al vehículo; de igual manera es responsable que el cable a tierra sea conectado entre el embrague del compresor y el motor del vehículo.

Se advierte que el buen funcionamiento y la durabilidad del soporte pueden ser comprometidos por defectos en su instalación.

Debido a las diversas situaciones que se puedan presentar fuera del control del fabricante, TransArctic no garantiza el diseño, la durabilidad o el correcto funcionamiento de cualquier equipo inapropiadamente instalado por terceros.

Esta sobreentendido que el Instalador del montaje del compresor es estrictamente responsable de la seguridad y funcionamiento del equipo en el momento de la instalación.

Si tuviera algún problema o duda acerca de la instalación del soporte del compresor pongase en contacto inmediatamente con TransArctic al teléfono 1-877-COLD-AIR de modo que podamos mejorar nuestro producto.

Note la ubicación del medidor de tensión OEM

Instale el equipo

Controlar si hay interferencias.

Asegure que el medidor de tensión mantenga la orientación justa.

Encienda el motor por lo menos 10 minutos con el sistema A/C enganchado para que la correa corra

Controle la orientación justa del medidor de tensión y ajuste a las condiciones requeridas del fabricante