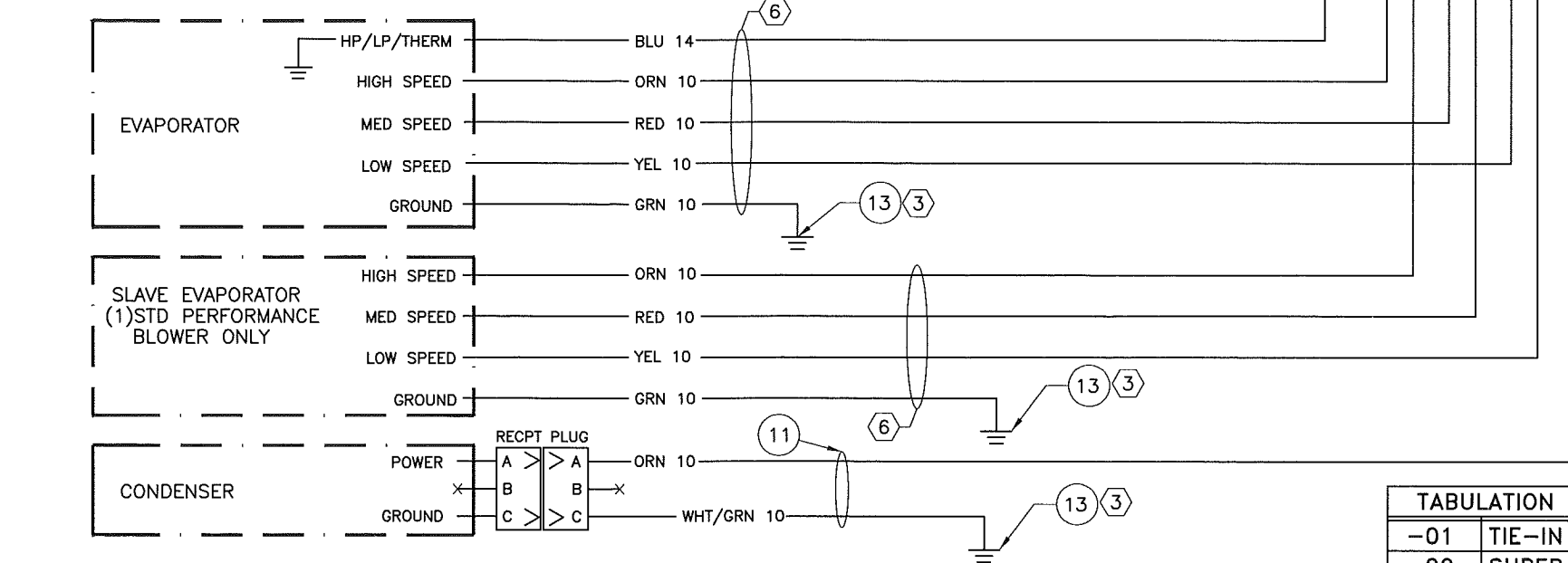
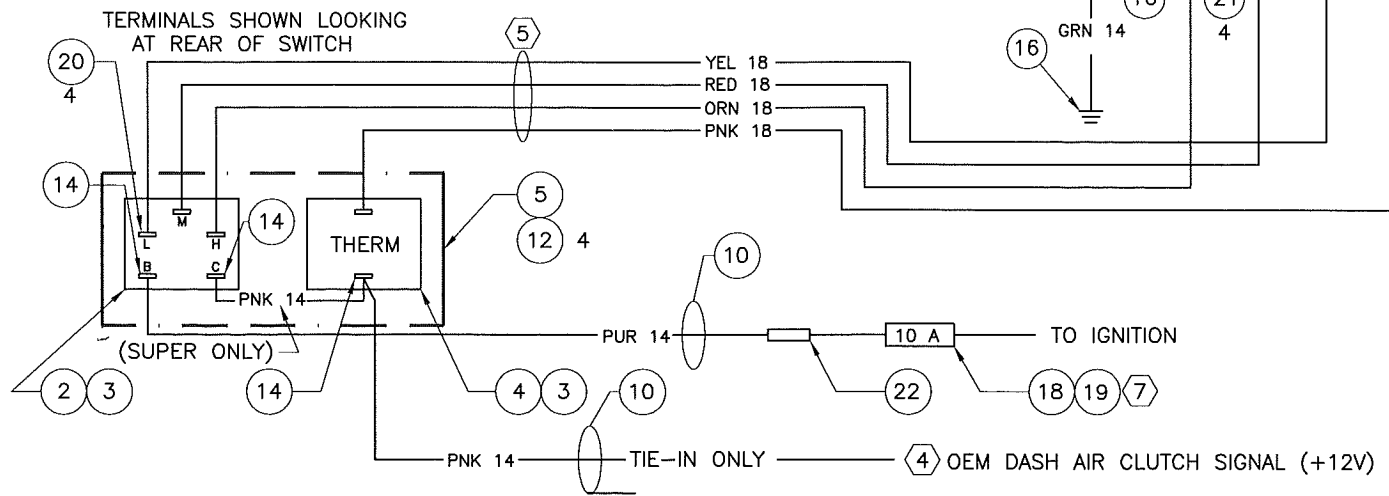
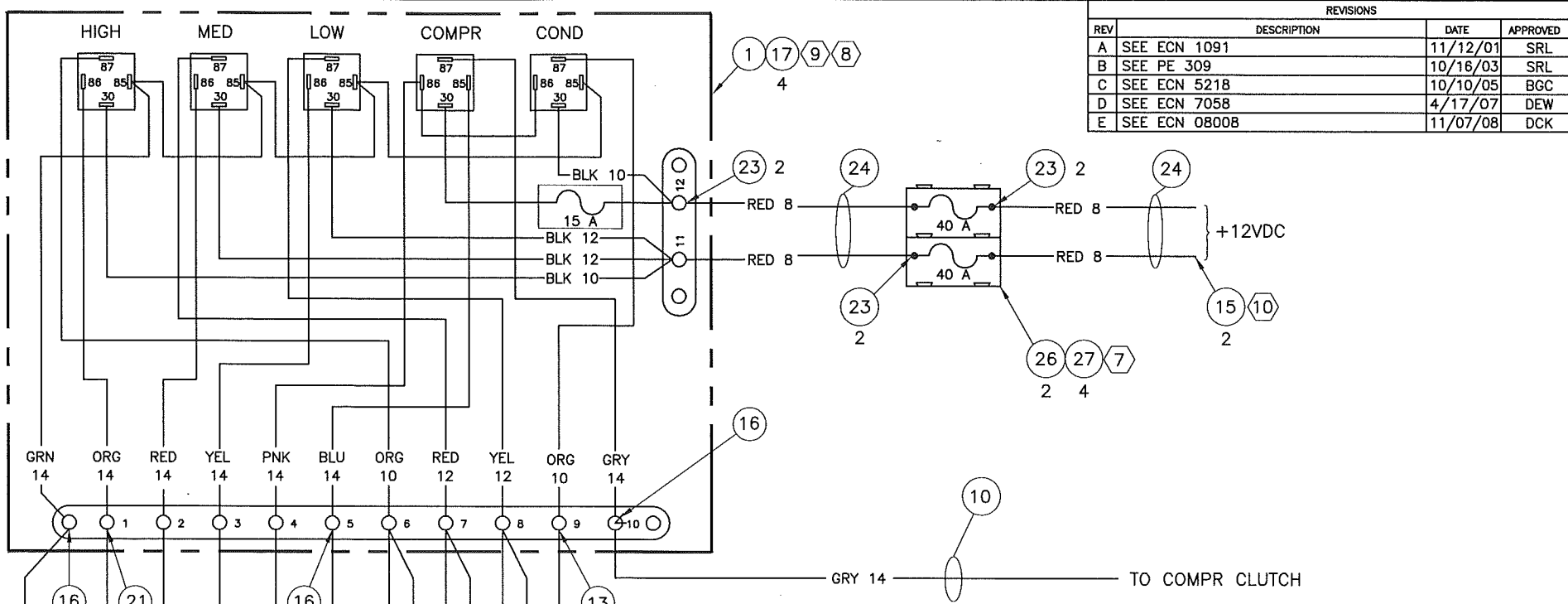


REVISIONS			
REV	DESCRIPTION	DATE	APPROVED
A	SEE ECN 1091	11/12/01	SRL
B	SEE PE 309	10/16/03	SRL
C	SEE ECN 5218	10/10/05	BGC
D	SEE ECN 7058	4/17/07	DEW
E	SEE ECN 08008	11/07/08	DCK

- NOTES:
- PACKAGE ALL ITEMS AND A COPY OF THIS DRAWING IN CARTON.
 - IDENTIFY PART NUMBER AND REV LEVEL.
 - GROUND TO CHASSIS AT CLOSEST POINT TO AVOID VOLTAGE LOSS.
 - OEM CLUTCH WIRE MUST BE REMOVED FROM CLUTCH & CONNECTED TO PINK T/A WHEN PIPING T/A SYSTEM WITH OEM DASH COMPR.
 - PART # 116049 TO BE PURCHASED SEPARATELY. USE ITEM 28 TO SECURE HARNESS AT RELAY BOARD.
 - PART # 116048 TO BE PURCHASED SEPARATELY. USE ITEM 29 TO SECURE HARNESS AT RELAY BOARD.
 - LOCATE POWER FUSES WITHIN 4 FT. OF POWER SOURCE AND BEFORE PASSING THROUGH ANY PARTITIONS. FUSES LOCATED ELSEWHERE MUST BE PRE-APPROVED BY TRANS/AIR ENGINEERING DEPARTMENT.
 - TORQUE TERMINAL STRIP SCREWS TO 20 IN.-LBS.
 - MOUNT RELAY BOARD IN A DRY LOCATION, PROTECTED FROM ROAD SPRAY. IF THIS IS NOT POSSIBLE, PROTECT BOARD WITH SPLASH COVER, T/A P/N 701258, PURCHASED SEPARATELY.
 - USE ONLY BATTERY OR ALTERNATOR POSITIVE POST OR ADEQUATE OEM-PROVIDED STUD FOR POWER PICK-UP POINT. WHEN USING OEM-PROVIDED STUD, VERIFY OEM FEEDER TO STUD AND ANY CIRCUIT PROTECTION UPSTREAM OF STUD ARE SIZED SUFFICIENTLY FOR ADDED A/C LOAD.



5	5	611026	CLAMP, 3/4"	29
5	5	611045	CLAMP, 3/8"	28
4	4	619125	SCREW, PAN HD, #6 X 5/8", SELF DRILL	27
2	2	701401	FUSE HOLDER ASSEMBLY, MIDI, BOLT-ON	26
4ft	4ft	116004	WIRE, #14 GA GREEN	25
10ft	10ft	119002	LOOM, 1/2	24
6	6	115003	TERMINAL, #10 RING, 8 GA	23
1	1	115007	CONNECTOR, BUTT, 14-16 GA	22
4	4	115108	TERMINAL, #10 RING 18-22 GA	21
4	4	115029	TERMINAL, FEM 18-22 GA	20
1	1	110050-10	FUSE, MINI, BLADE-TYPE, 10 A	19
1	1	110075	FUSE HOLDER, MINI, 16 GA	18
14	14	619021	SCREW, #10, SELF TAPPING	17
4	4	115001	TERMINAL, #10 RING, 14-16 GA	16
2	2	115004	TERMINAL, 5/16 RING, 10-12 GA	15
3	2	115031	TERMINAL, FEM 14-16 GA	14
10	10	115016	TERMINAL, #10 RING, 10-12 GA	13
4	4	619113	SCREW, PAN HD, #6 X 1/2, SELF DRILL, BLK	12
1	1	701336-30	HARNESS, CONDENSER	11
30ft	40ft	119005	LOOM, 3/8	10
20ft	20ft	116040	WIRE, #8 GA RED	9
20ft	20ft	116022	WIRE, #14 GA GRAY	8
10ft	10ft	116023	WIRE, #14 GA PURPLE	7
1ft	10ft	116021	WIRE, #14 GA PINK	6
1	1	701413	PLATE, SWITCH	5
1	1	111051	THERMOSTAT	4
2	2	610008	KNOB, ROTARY SWITCH	3
1	1	113006	SWITCH, ROTARY, 4 POSITION	2
1	1	701280-01	RELAY BOARD ASSEMBLY, 12 VOLT	1

QTY REQD PER ASSY	FSCM NO.	PART NO.	DESCRIPTION	MATERIAL / SPECIFICATION	ITEM NO.
			PARTS LIST		
UNLESS OTHERWISE SPECIFIED: DIMENSIONS ARE IN INCHES TOLERANCES ON DECIMALS 2PL 3PL ANGLE ±.03 ±.010 ±.1					
INTERPRET DRAWING PER DOD-STD-100 REMOVE BURRS AND SHARP EDGES DO NOT SCALE DRAWING					
MATERIAL:		DRAWN BY	DATE	TRANS/AIR MFG CORP	
		SRL	07/24/01	ELECTRICAL INSTALLATION, BASIC II, 3 SPD, DRIVER THERM, W/ SLAVE	
		CHECKER	DATE	SIZE	CODE
		BCB	7/19/01	D	
		DRAWING APPROVAL		DWG NO.	503746
		DCR		REV	E
		DESIGN APPROVAL		SCALE	NTS
				SHEET	

TABULATION	
-01	TIE-IN
-02	SUPER

NEXT ASSY	USED ON
	APPLICATION