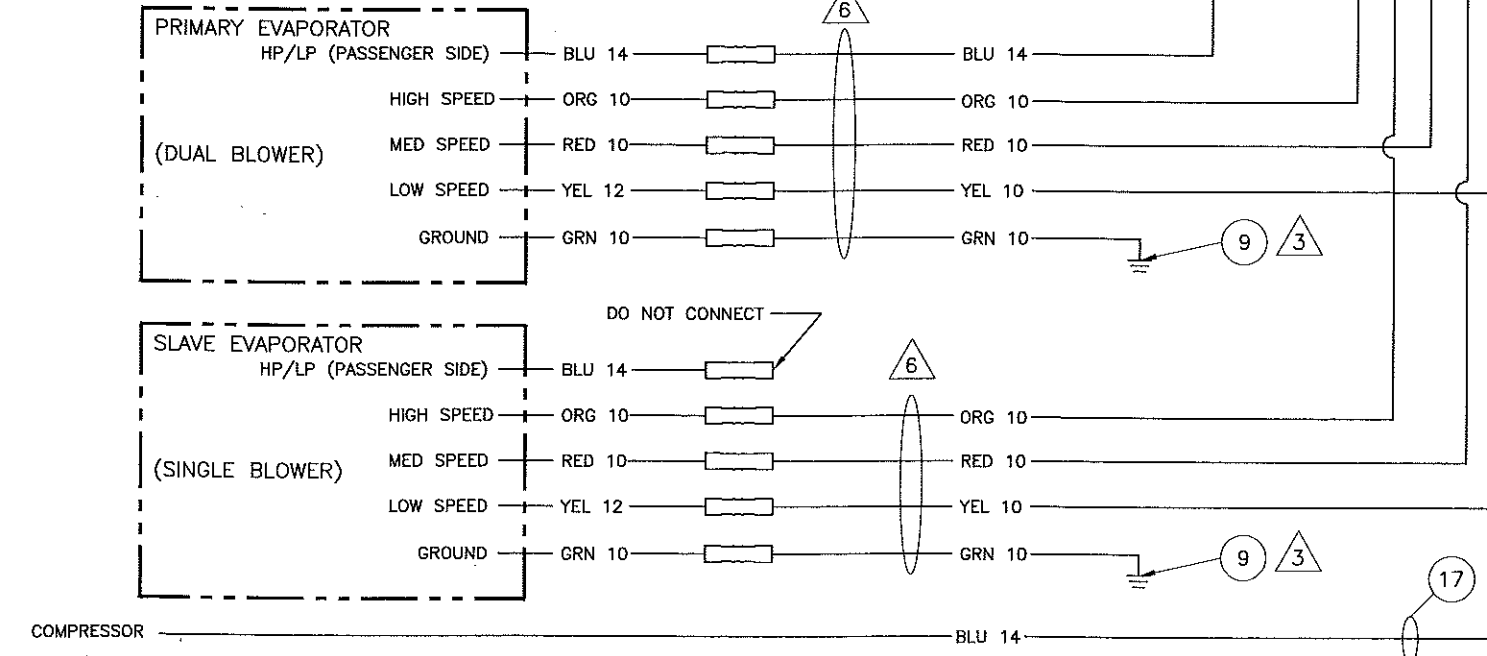
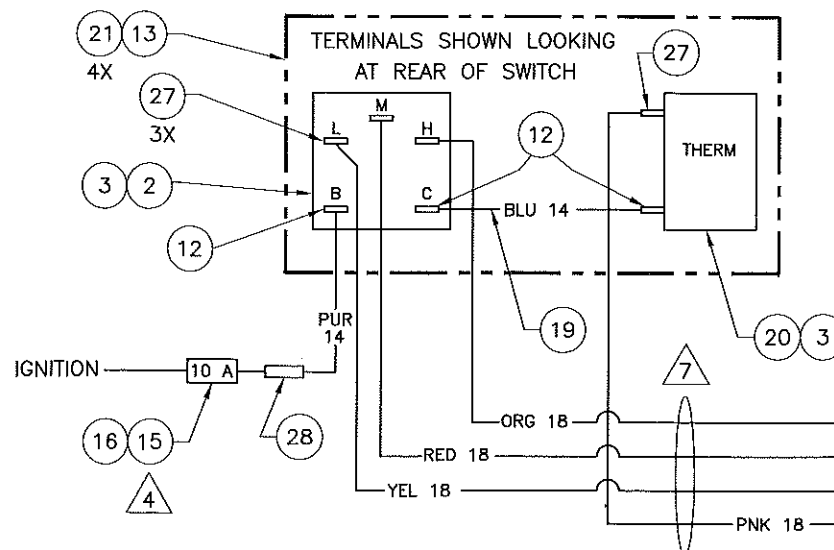
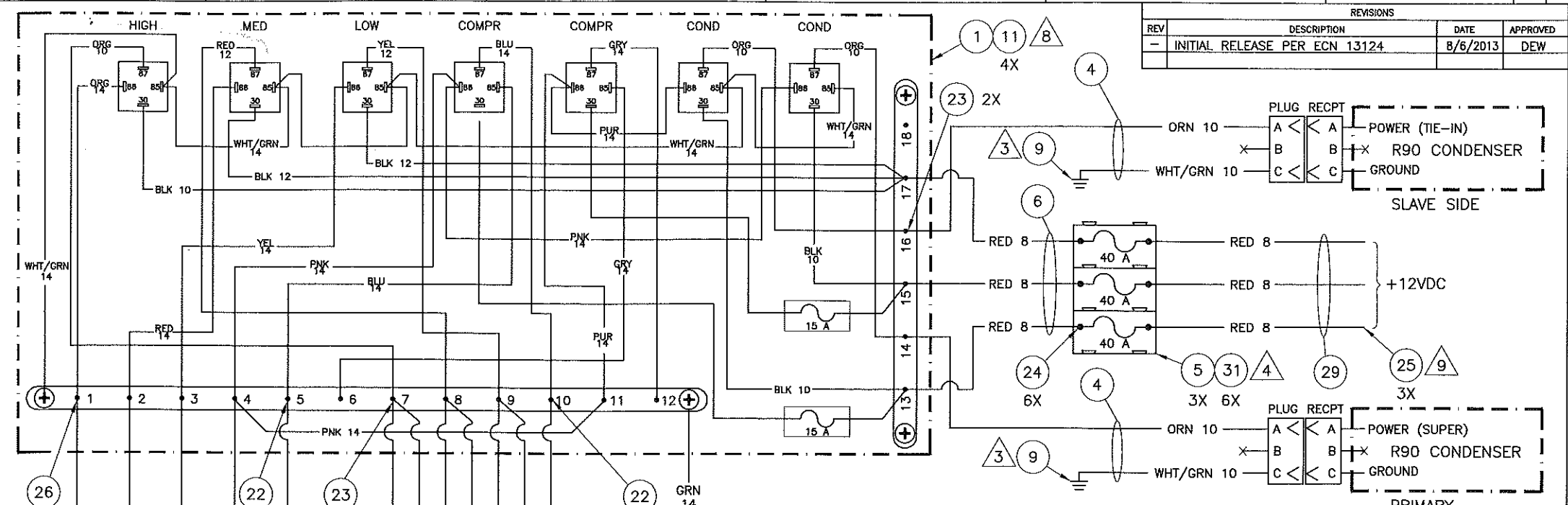


REVISIONS			
REV	DESCRIPTION	DATE	APPROVED
-	INITIAL RELEASE PER ECN 13124	8/6/2013	DEW

- NOTES:**
1. PACKAGE ALL ITEMS AND A COPY OF THIS DRAWING IN BOX.
 2. IDENTIFY PART NUMBER AND REVISION LEVEL.
 3. GROUND TO CHASSIS AT CLOSEST POINT TO AVOID VOLTAGE LOSS.
 4. LOCATE POWER FUSES WITHIN 4 FEET OF POWER SOURCE AND BEFORE PASSING THROUGH ANY PARTITIONS. FUSES LOCATED ELSEWHERE MUST BE PRE-APPROVED BY T/A ENGINEERING DEPT.
 5. CLAMPS (ITEMS 8 & 10) AND SCREWS (ITEM 11) ARE SUPPLIED TO SECURE WIRING.
 6. 6 CONDUCTOR CABLE, P/N 116048, TO BE PURCHASED SEPARATELY.
 7. 4 CONDUCTOR CABLE, P/N 116049, TO BE PURCHASED SEPARATELY.
 8. TORQUE TERMINAL STRIP SCREWS TO 20 IN-LBS.
 9. USE ONLY BATTERY OR ALTERNATOR POSITIVE POST OR ADEQUATE OEM-PROVIDED STUD FOR POWER PICK-UP POINT. WHEN USING OEM PROVIDED STUD, VERIFY OEM FEEDER TO STUD AND ANY CIRCUIT PROTECTION UPSTREAM OF STUD ARE SIZED SUFFICIENTLY FOR ADDED A/C LOAD.



QTY	DESCRIPTION	PART NO.	ITEM NO.
31	SCREW, PAN HD, #6 X 5/8, SELF DRILL	619125	6
30	WIRE, 14 GA, GREEN	116004	4FT
29	LOOM, 1/2	119002	2FT
28	CONNECTOR, BUTT, 14-16 A	115007	1
27	TERMINAL, FEM 18-22 GA	115029	4
26	TERMINAL, #10 RING 18-22 GA	115108	4
25	TERMINAL, 5/16 RING, 8 GA	115004	3
24	TERMINAL #10 RING 8 GA	115003	6
23	TERMINAL #10 RING 10-12 GA	115016	8
22	TERMINAL #10 RING 14-16 GA	115001	4
21	SCREW, PAN HD, PHIL, #6 X 1/2, SELF DRILL, BLACK	619113	4
20	THERMOSTAT	111051	1
19	WIRE, #14 BLUE	116005	18FT
18			
17	LOOM, 3/8 INCH	119005	18FT
16	FUSE, MINI, BLADE TYPE, 10 A	110050-10	1
15	FUSEHOLDER, MINI, 16 GA	110075	1
14	WIRE, #14 PURPLE	116023	1FT
13	PLATE, SWITCH	701413	1
12	TERMINAL, FEM 14-16 GA	115031	3
11	SCREW, PHILLIPS, #10 SELF TAP	619021	14
10	CLAMP, INSULATED .75 ID	611026	5
9	TERMINAL, 1/4 RING, 10-12 GA	115021	4
8	CLAMP, INSULATED .38 ID	611045	5
7	WIRE, 8 GA, RED	116040	6FT
6	HARNESS, POWER	701193-02	1
5	FUSE HOLDER ASSEMBLY, MIDI, BOLT-ON	701401	3
4	HARNESS, CONDENSER	701336-30	2
3	KNOB, ROTARY SWITCH	610008	2
2	SWITCH, ROTARY, 4 POSITION	113006	1
1	RELAY BOARD ASSEMBLY	701406	1

QTY REQD PER ASSY	PARTS LIST	MATERIAL / SPECIFICATION	ITEM NO.
	UNLESS OTHERWISE SPECIFIED: DIMENSIONS ARE IN INCHES TOLERANCES ON DECIMALS 2PL 3PL ANGLE ± ± ±		
	INTERPRET DRAWING PER DOD-STD-100 REMOVE BURRS AND SHARP EDGES DO NOT SCALE DRAWING		
	DRAWN BY DEW DATE 8/6/13		
	CHECKER [Signature] DATE 8/7/13		
	DRAWING APPROVAL [Signature] DATE 8/7/13		
	DESIGN APPROVAL [Signature]		
	SCALE NONE		

TRANS/AIR MFG CORP

ELECTRICAL INSTALLATION, BASIC II,
3 SPD, DRIVER THERM,
R90 CONDENSER W/ SLAVE EVAP

DWG NO. 5031424 REV -

APPLICATION	USED ON