

Bill of Materials Listing

TransArctic Canada Inc.

6/11/2009
Page 1 of 1

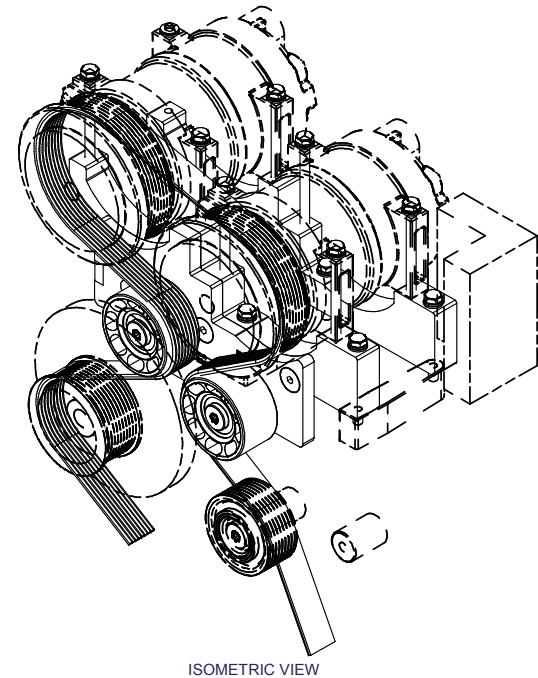
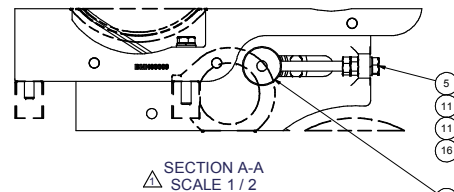
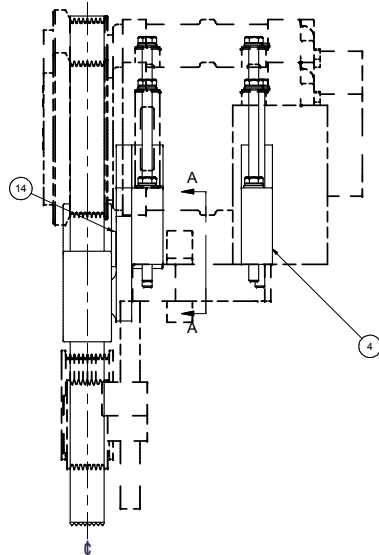
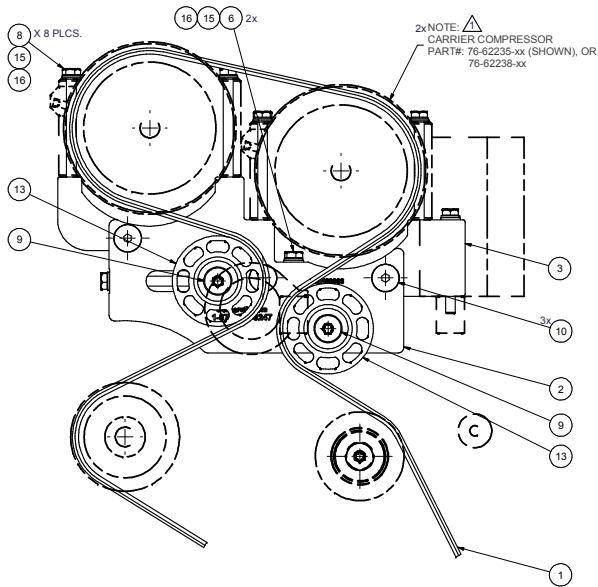
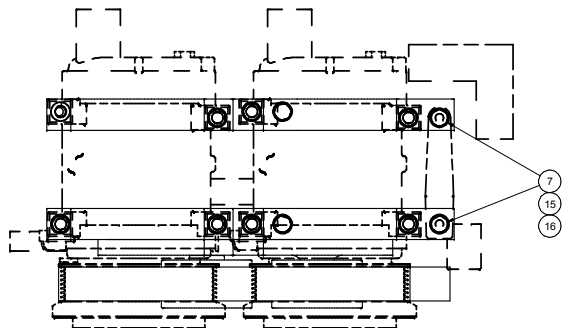
Product Number	Description	Date	Weight	Uof M	Yield
Line Component Prod#	Description	Bin Unit	Qty		
KMN64571	Mt. Kit, MForce 7, CE200, 2 21/16, 07		5/25/2007	21.73	0
10 BEL83200	Belt, 8gr, 3200mm (126.0") (5081260)		each	1	
20 BMN60008	Bkt, Idler, Weldmt, CE200		each	1	
30 BMN60009	Bkt, Comp, Riser, Front, CE200		each	1	
40 BMN60010	Bkt, Comp, Riser, Rear, CE200		each	1	
50 NTS10492	Nut, Tensioner, 10 mm, 49.21 mm o/a, PLT		each	1	
60 SCD11617	Spacer, Col, Drl, 11.6mm x 28.6o x 17i		each	1	
70 PUL80076	Pulley, Idler, Backside, P8, 76d (89062)		each	2	
80 KBN64571	Bag Kit, Fasteners, KMN64571		each	1	

Bill of Materials Listing

TransArctic Canada Inc.

6/11/2009
Page 1 of 1

Product Number	Description	Date	Weight	Uof M	Yield
Line Component Prod#	Description	Bin Unit	Qty		
KBN64571	Bag Kit, Fasteners,KMN64571	5/25/2007	1.42		0
10	BTC08050 Bolt, Hex, 8 x 1.25 x 50mm, 10.9, Plt	each	2		
20	BTC08080 Bolt, Hex, 8 x 1.25 x 80mm, 10.9, Plt	each	2		
30	BTC08100 Bolt, Hex, 8 x 1.25 x 100mm, 10.9, Plt	each	8		
40	BTA08101 Bolt, Hex, 8 x 1.25 x 100mm, 8.8, Plt,FT	each	1		
50	BTS10001 Bolt, Shoulder, 10mm (89064)	each	2		
60	CSF10036 Capscrew, FH, 10 x 1.5 x 35mm, 10.9,Plt	each	3		
70	NTA08000 Nut, Hex, 8 x 1.25, 8.8, Plt	each	2		
90	WFA08000 Washer, Flat, 8mm, 8.8, Plt	each	12		
100	WLA08000 Washer, Lock, 8mm, 8.8, Plt	each	13		



- NOTES:
1) USE SERVICABLE THREADLOCKER ON ALL FASTENERS TO ENGINE COMPONENTS AND TORQUE ALL BOLTS TO S.A.E. SPECIFICATIONS.
2) SEE "TRANSARGTIC A/C COMPRESSOR MOUNT INSTALLATION DISCLAIMER".

ITEM	QTY	U/M	PART NUMBER	DESCRIPTION
16	13	EACH	WLA08000	WASHER, LOCK, 8mm, 8.8, PLT
15	12	EACH	WFA08000	WASHER, FLAT, 8mm, 8.8, PLT
14	1	EACH	SCD11617	SPACER, COL, DRL, 11.6mm x 28.6o x 17l
13	2	EACH	PUL80076	PULLEY, IDLER, BACKSIDE, P8, 76D, 39W
12	1	EACH	NTS10492	NUT, TENSIONER, 10 mm, 49.21 mm o/a, PLT
11	2	EACH	NTA08000	NUT, HEX, 8 x 1.25, 8.8 PLT
10	3	EACH	CSF10036	CAPSCREW, FH, 10 x 1.5 x 35mm, 10.9, PLT
9	2	EACH	BTS10001	BOLT, SHOULDER, 10mm (IDLER PULLEY)
8	7	EACH	BTC08100	BOLT, HEX, 8 x 1.25 x 100mm, 10.9, PLT
7	2	EACH	BTC08080	BOLT, HEX, 8 x 1.25 x 80mm, 10.9, PLT
6	2	EACH	BTC08050	BOLT, HEX, 8 x 1.25 x 50mm, 10.9, PLT
5	1	EACH	BTA08101	BOLT, HEX, 8 x 1.25 x 100mm, 8.8, TB, PLT
4	1	EACH	BMN60010	BKT, COMP, RISER, REAR, CE200
3	1	EACH	BMN60009	BKT, COMP, RISER, FRONT, CE200
2	1	EACH	BMN60008	BKT, IDLER, WELDMT, CE200
1	1	EACH	BEL83200	BELT, 8gr, 3200mm (126.0") (S081260)

BILL OF MATERIALS

DRAWN: **brunde** 5/25/2007
 CHECKED: **JBR**
 1. REMOVED WORK NOTE ADDED NOTE 8/1/2008 JBR
 2. RELEASED TO PRODUCTION 8/6/2007 JBR
 REV: ECN DESCRIPTION: DATE: BY: VJL
 MFG: **Jakowlew** 5/25/2007
 MFG: **Ron Ingram** 5/25/2007
 APPROVED: **Dale Mason** 5/25/2007

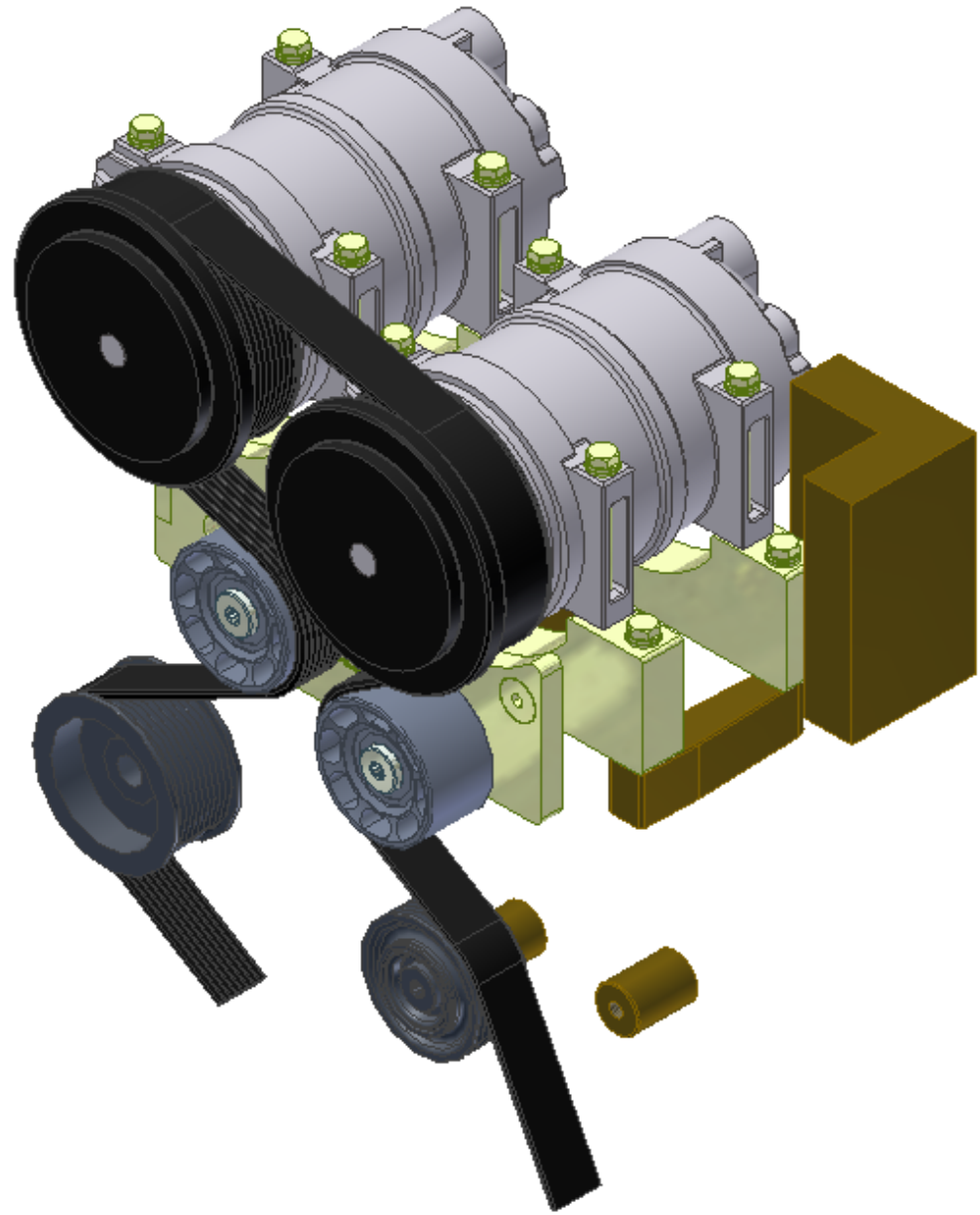
TRANSARGTIC INC.

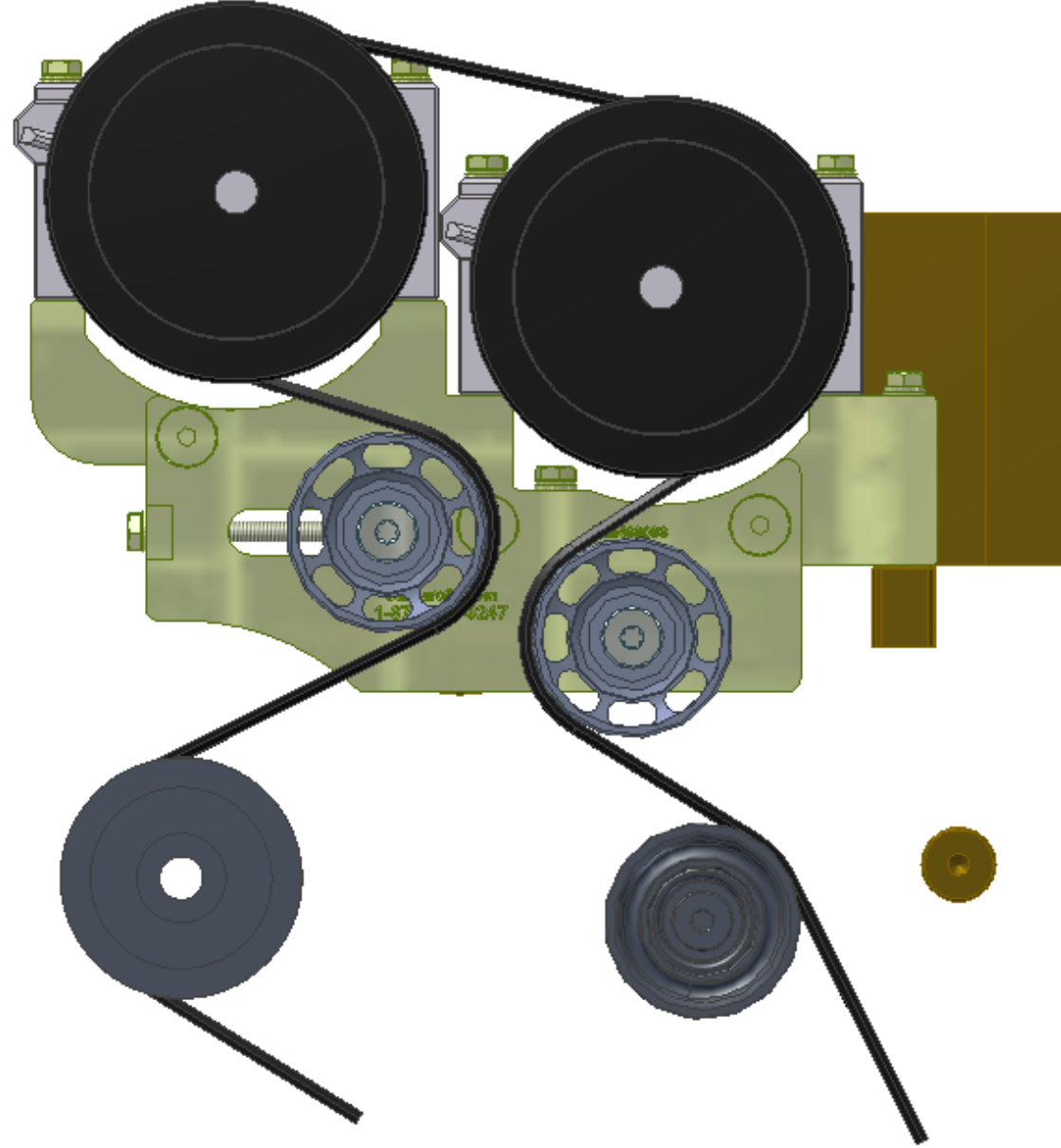
MT. KIT, MFORCE 7, CE200, 2 21/16, 07

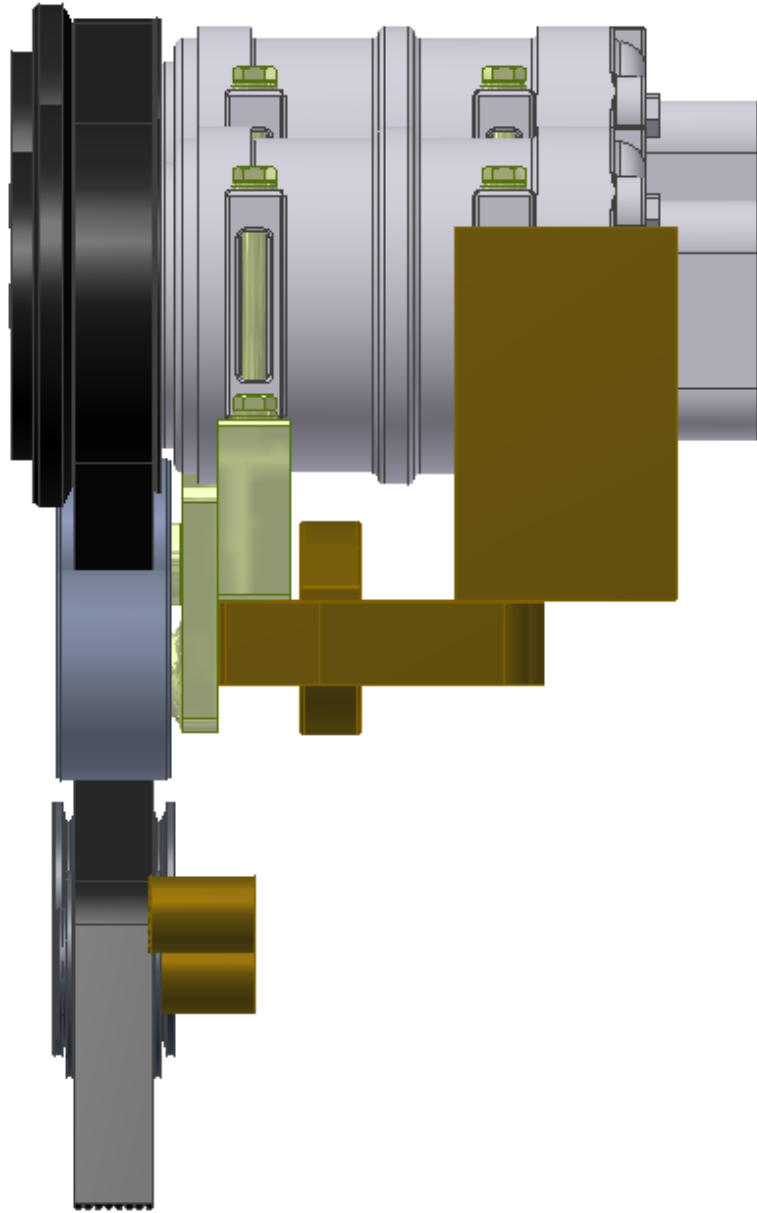
UNSPECIFIED TOLERANCES:	(ALL DIM)	GROUP
ONE DECIMAL PLACE (10)	AS SHOWN	
TWO DECIMAL PLACE (20)	AS SHOWN	
FRACTIONAL (1/32)	AS SHOWN	

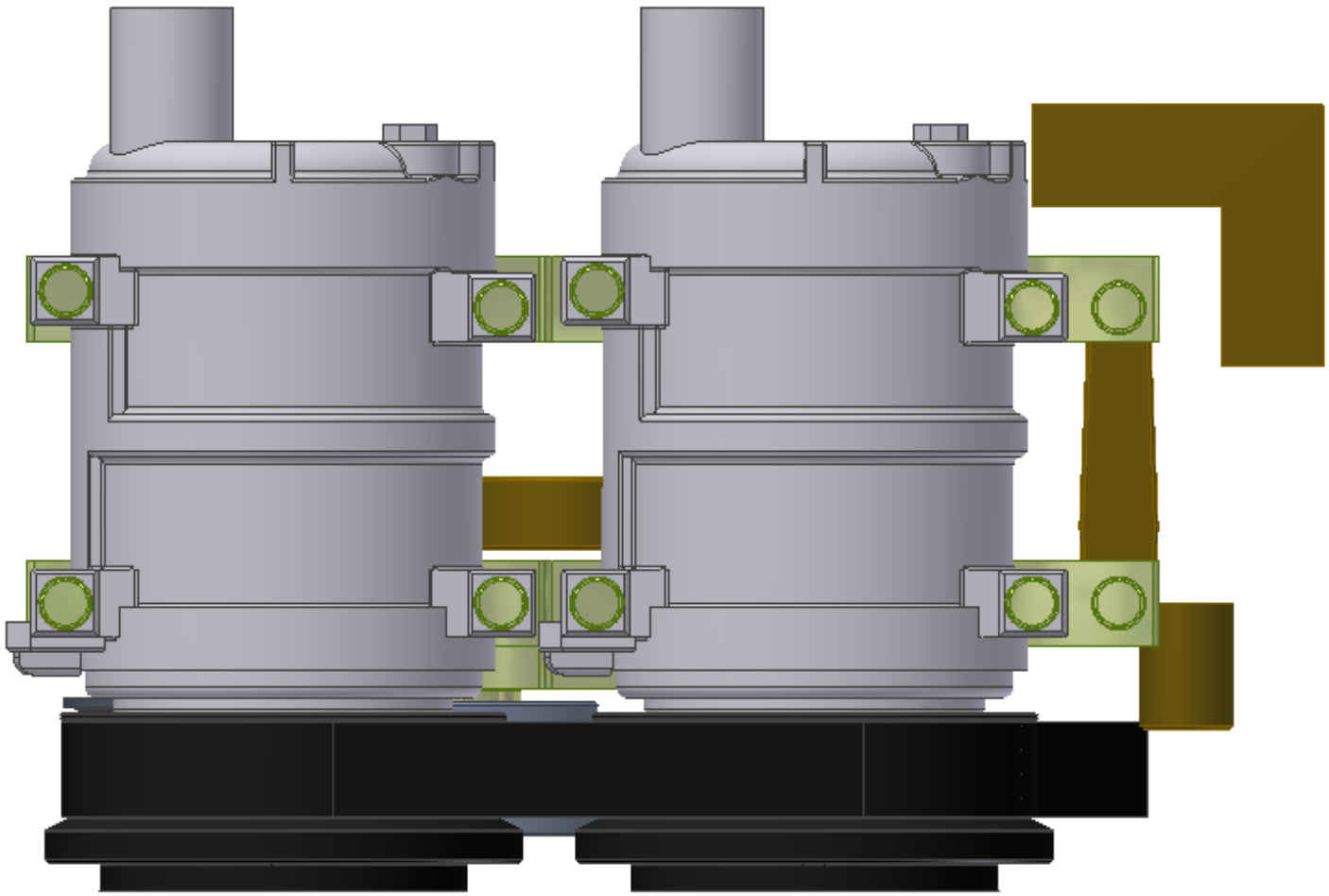


DWG NO: **KMN64571** REV: **1**
 DRAWING UNIT OF MEASURE: **MM (INCH)** SCALE: **1:2** SHEET **1** OF **1**





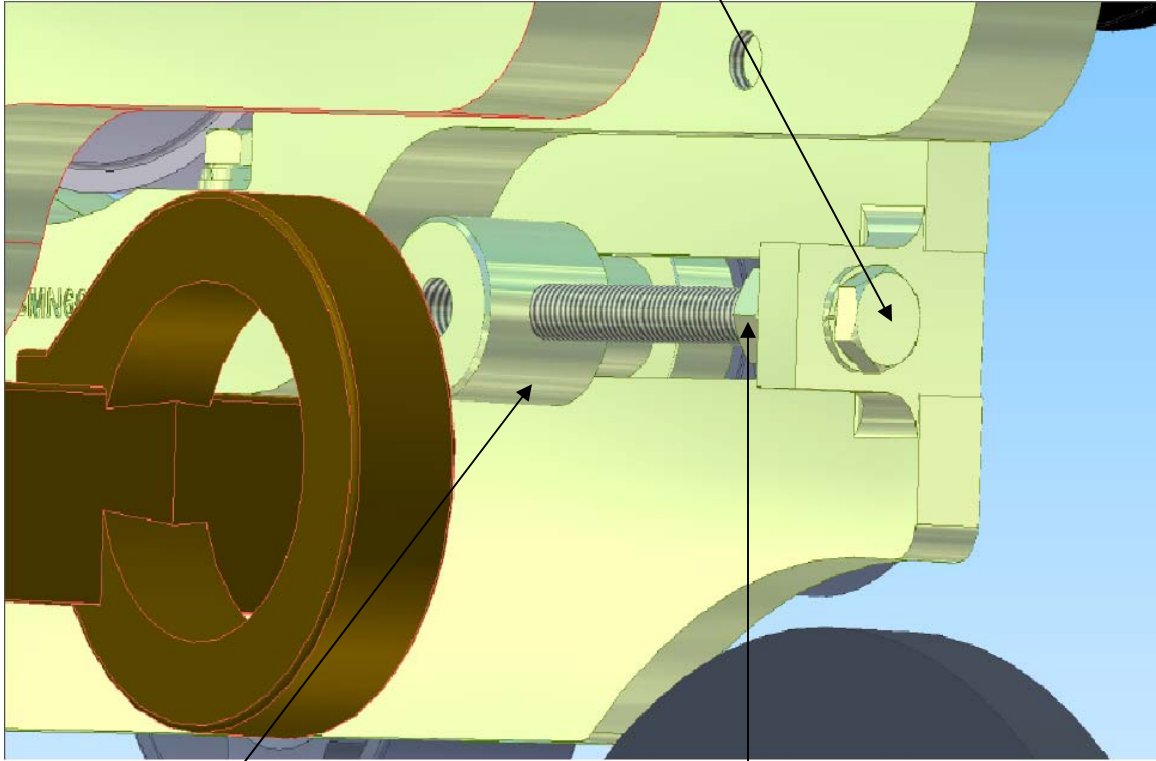




KMN64571 - MT. KIT, MFORCE 7, CE200, 2 21/16, 07

TENSIONER ASSEMBLY

BTA08101 – 100mm FULLY THREADED BOLT.



NTS10492 – TENSIONER NUT

2 X NTA08000 – HEX NUTS

TransArctic A/C Compressor Mount Installation Disclaimer

All compressor mounts should be installed by qualified and trained personnel using proper tools and equipment in safe working conditions following industry standard guidelines for motor vehicle service and repair.

The installer of any compressor mount purchased from TransArctic must undertake all responsibility of issues arising from that compressor bracket being installed on any vehicle. As well as insure that a **proper and sufficient ground** is established between the compressors' clutches and the vehicle's engine. Mount functionality, operation and durability can all be compromised by an incompetent installation.

Due to the many different situations, parameters and application criteria, which are beyond the compressor mount manufacturer's control, TransArctic does not warrant design, durability, or operational functionality of any compressor mount improperly installed by another party.

With no implied guarantees it is the mount installer's strict responsibility to determine safety and functionality, of the compressor mount, at the time of installation.

Please contact TransArctic with any issue arising from installation so we may better improve the product. If you have any reservations about the compressor mount integrity contact TransArctic immediately at 1-877-COLD-AIR.