

# Bill of Materials Listing

TransArctic Canada Inc.

1/19/2016  
Page 1 of 1

Product Number	Description	Date	Weight	Uof M	Yield
Line    Component    Prod#	Description	Bin                    Unit	Qty		
<b>KMK72676</b>	<b>Mt Kit, C7, BBCV, 2 TM-21, P8, '07</b>		<b>8/7/2007</b>	<b>34.85</b>	<b>0</b>
10 BEL81791	Belt, 8gr, 1791mm (70.5") (5080705)	each	1		
20 BMK70069	Bkt, Main, Weldmt, C7, Vision, 07	each	1		
30 BMK70098	Bkt, Weldmt, Guard, Comp, C7, Vision, 07	each	1		
40 PUL80076	Pulley, Idler, Backside, P8, 76d (89101)	each	1		
50 TEN80002	Tenr, HD Spring, BackSide, CCW (89200A)	each	1		
60 KBK72676	Bag Kit, Fasteners, KMK72676 / KMK72076	each	1		

WARNING! Can also use a 5080695 or a 5080690 belt in lieu of the 5080705 called up in the B.O.M.

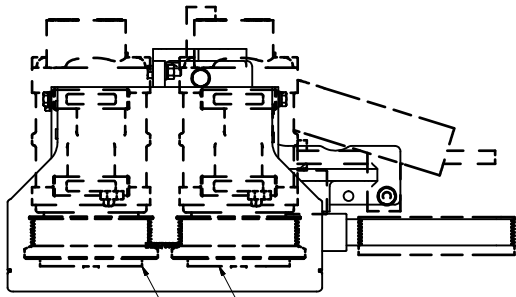
\*\*\* Dependant on the type of front casting on the engine.  
Orientation/Location of the fan to the shroud opening.. \*\*\*

# Bill of Materials Listing

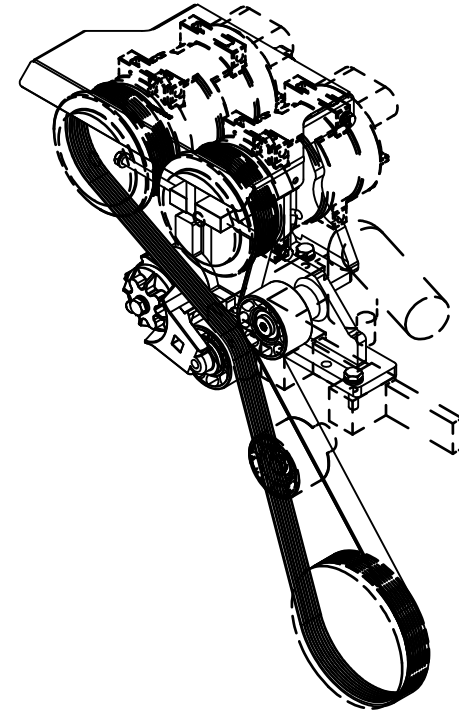
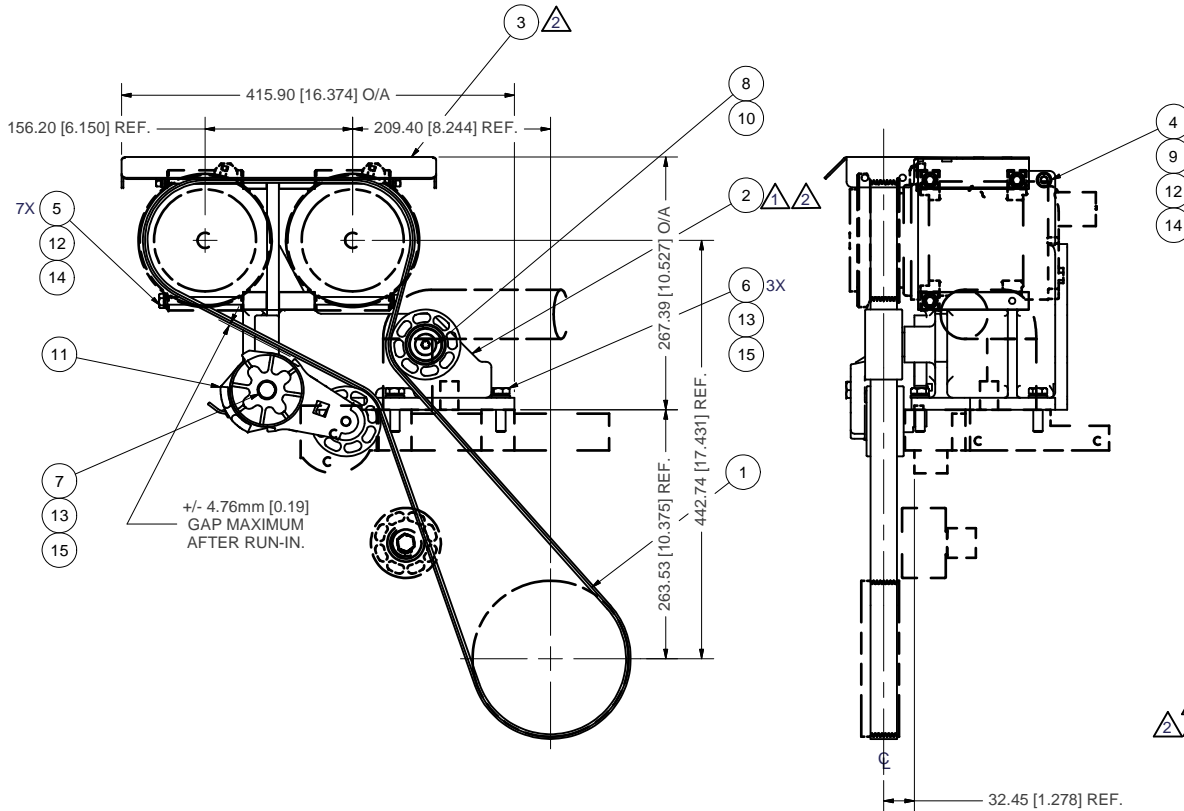
TransArctic Canada Inc.

1/19/2016  
Page 1 of 1

Product Number	Description	Date	Weight	Uof M	Yield
Line    Component    Prod#	Description	Bin                    Unit	Qty		
<b>KBK72676</b>	<b>Bag Kit, Fasteners, KMK72676 / KMK72076</b>	<b>8/7/2007</b>	<b>1.19</b>		<b>0</b>
10	BTC08030	Bolt, Hex, 8 x 1.25 x 30mm, 10.9, Plt,FT	each	1	
20	BTC08100	Bolt, Hex, 8 x 1.25 x 100mm, 10.9, Plt	each	7	
30	BTC10040	Bolt, Hex, 10 x 1.5 x 40mm, 10.9, Plt,FT	each	3	
40	BTC10080	Bolt, Hex, 10 x 1.5 x 80mm, 10.9, Plt,FT	each	1	
50	BTS10001	Bolt, Shoulder, 10mm (89064)	each	1	
60	NTA08000	Nut, Hex, 8 x 1.25, 8.8, Plt	each	1	
70	WFA08000	Washer, Flat, 8mm, 8.8, Plt	each	8	
80	WFA10000	Washer, Flat, 10mm, 8.8, Plt	each	4	
90	WLA08000	Washer, Lock, 8mm, 8.8, Plt	each	8	
100	WLA10000	Washer, Lock, 10mm, 8.8, Plt	each	4	



NOTE:  
CARRIER COMPRESSOR  
PART#: 76-62235-xx



ISOMETRIC VIEW

ITEM	QTY	U/M	PART NUMBER	DESCRIPTION
15	4	EACH	WLA10000	WASHER, LOCK, 10mm, 8.8, PLT
14	8	EACH	WLA08000	WASHER, LOCK, 8mm, 8.8, PLT
13	4	EACH	WFA10000	WASHER, FLAT, 10mm, 8.8, PLT
12	8	EACH	WFA08000	WASHER, FLAT, 8mm, 8.8, PLT
11	1	EACH	TEN80002	TENR, HD SPRING, BACKSIDE, CCW
10	1	EACH	PUL80076	PULLEY, IDLER, BACKSIDE, P8, 76D, 39W
9	1	EACH	NTA08000	NUT, HEX, 8 x 1.25, 8.8 PLT
8	1	EACH	BTS10001	BOLT, SHOULDER, 10mm (IDLER PULLEY)
7	1	EACH	BTC10080	BOLT, HEX, 10 x 1.5 x 80mm, 10.9, PLT
6	3	EACH	BTC10040	BOLT, HEX, 10 x 1.5 x 40mm, 10.9, PLT
5	7	EACH	BTC08100	BOLT, HEX, 8 x 1.25 x 100mm, 10.9, PLT
4	1	EACH	BTC08030	BOLT, HEX, 8 x 1.25 x 30mm, 10.9, PLT
3	1	EACH	BMK70098	BKT, WELDMT, GUARD, COMP, C7, VISION, 07
2	1	EACH	BMK70069	BKT, MAIN, WELDMT, C7, VISION, 07
1	1	EACH	BEL81791	BELT, 8 GR, 1791mm (70.5") (5080705)

Parts List

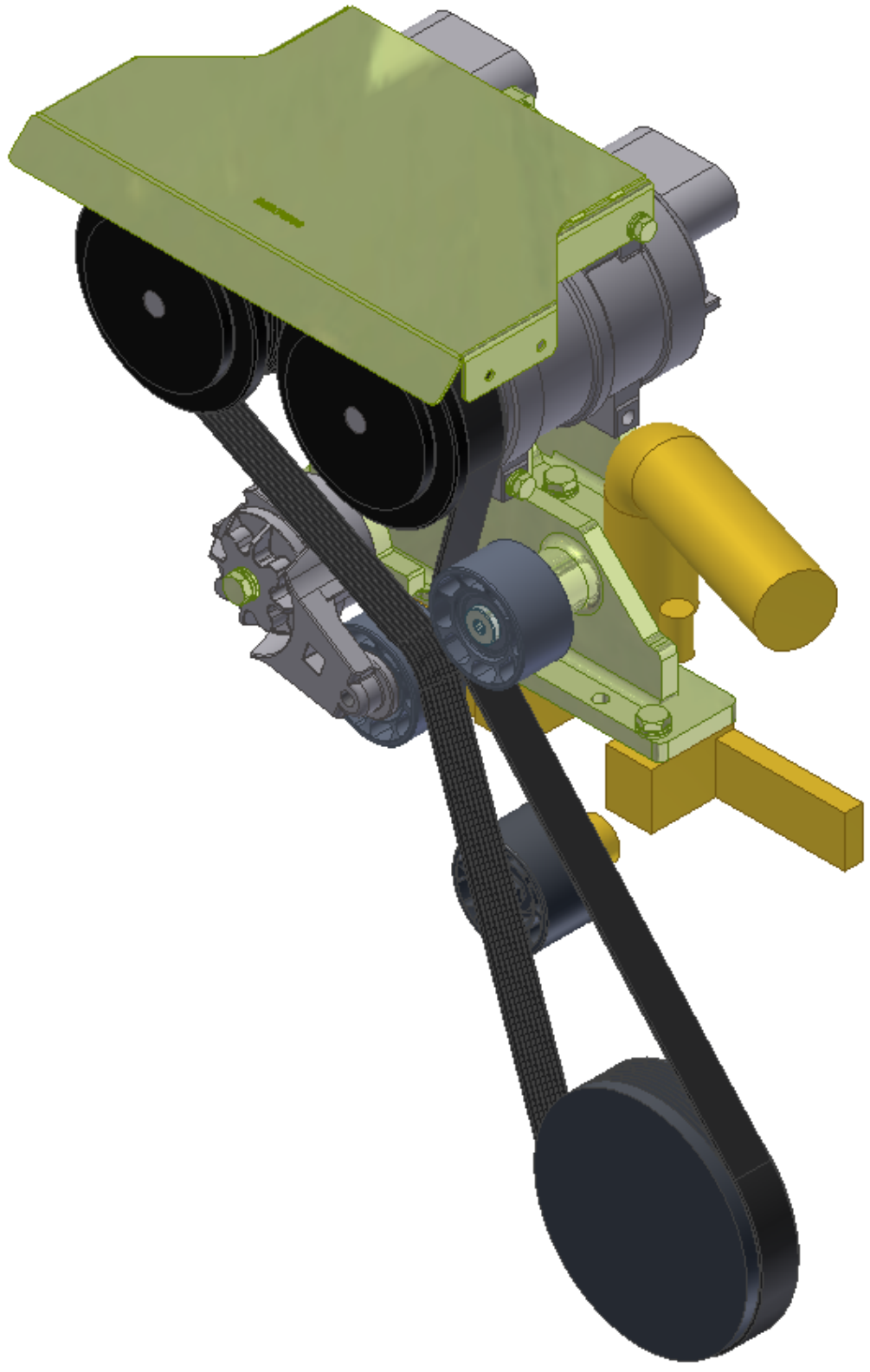
DRAWN	brundle	8/3/2007
CHECKED	James Stewart	8/3/2007
QA	Val Jakowlew	8/3/2007
MFG	Ron Ingram	8/3/2007
APPROVED	Dale Mason	8/3/2007

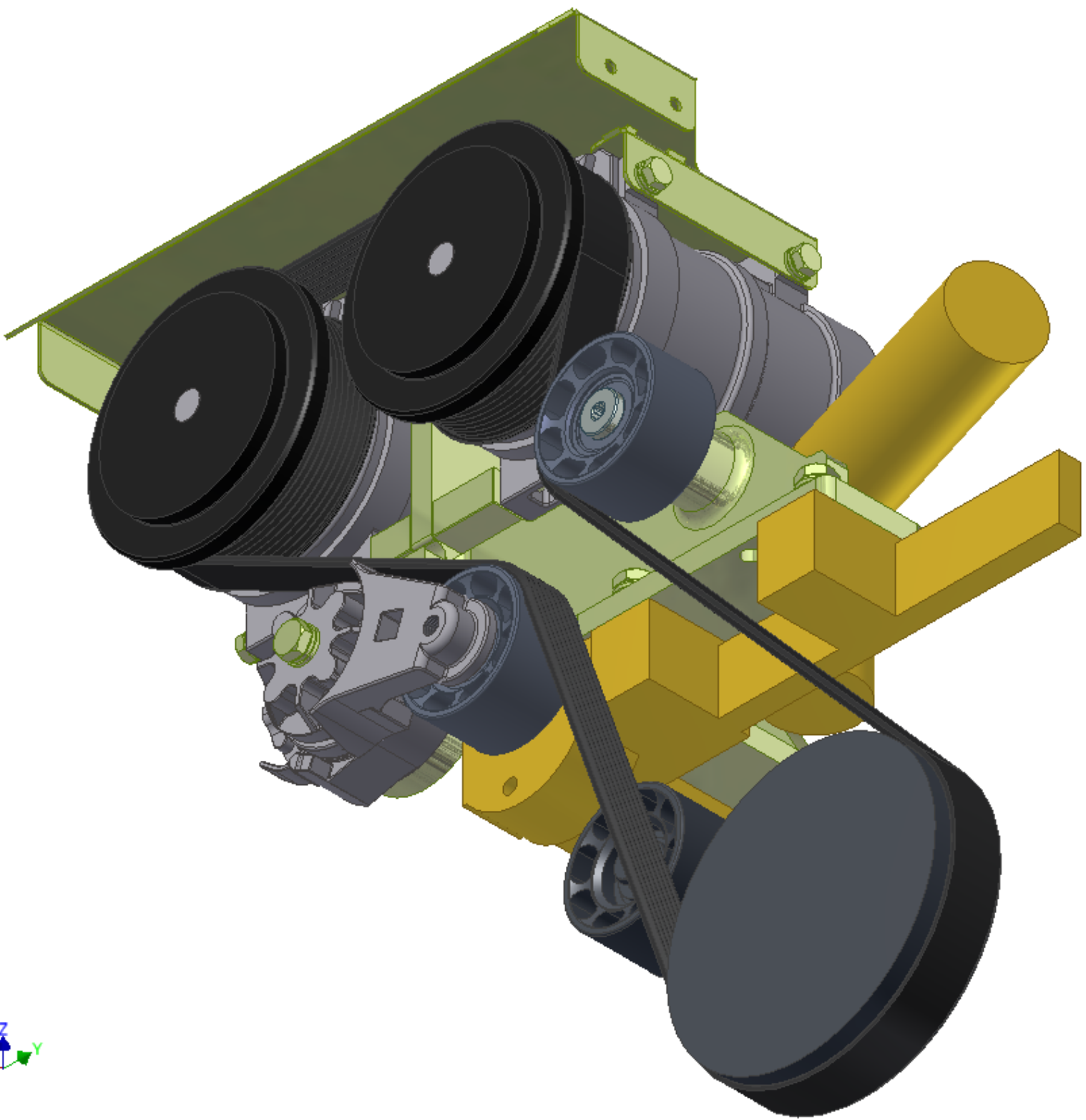
		TITLE	REV
		MT KIT, C7, BBCV, 2 TM-21, P8, '07	2
SIZE	DWG NO	REV	
C	KMK72676	2	
SCALE	1 : 4	SHEET	1 OF 1

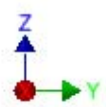
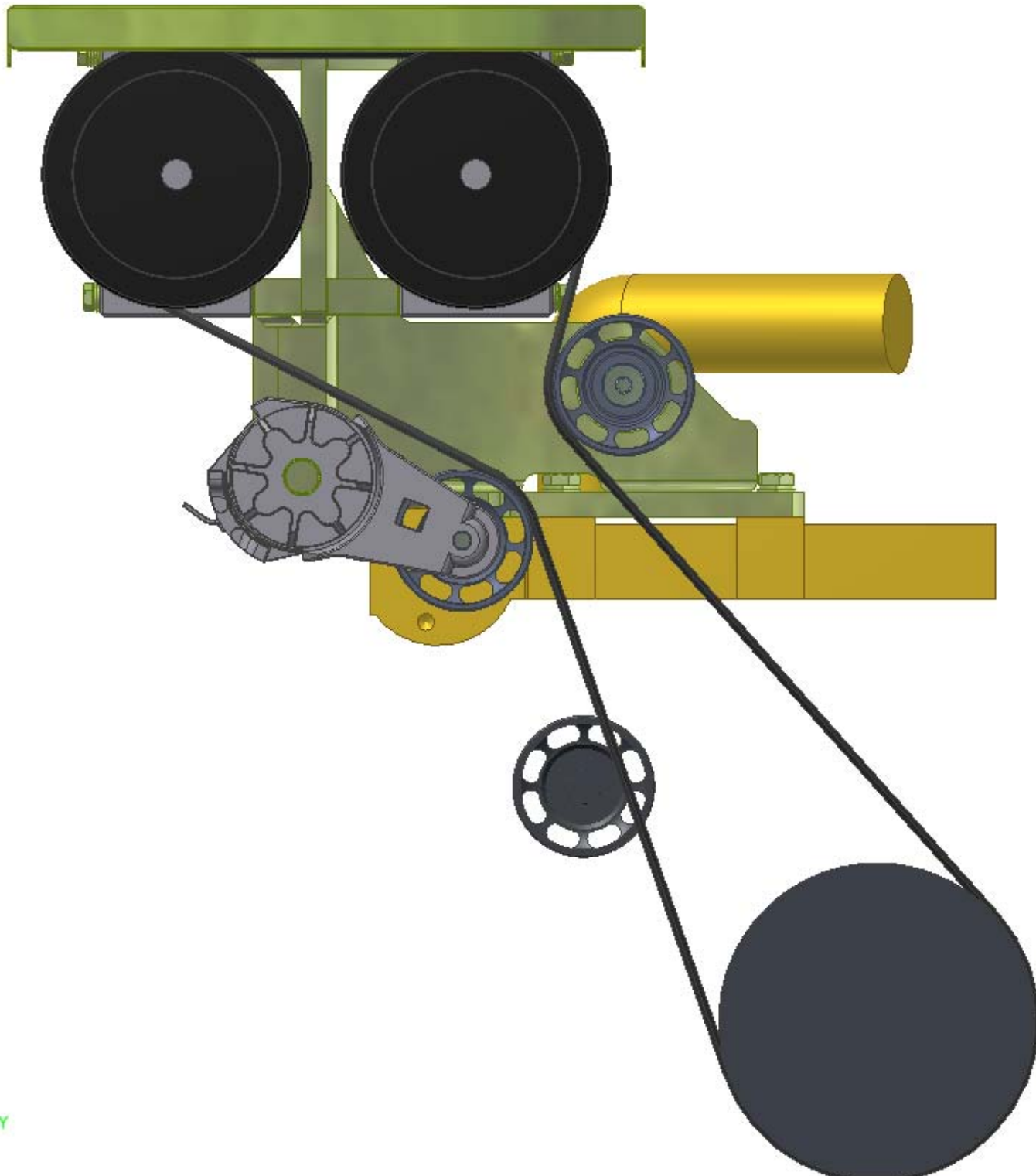
2	-	WAS PIN BMK70070 & BMK70069 WAS MOD	01/19/16	VALJ
1	-	P/N# BMK70069 BEEN MODIFIED.	12/5/2008	JRR
0	-	RELEASED TO PRODUCTION.	8/3/2007	BRAR
REV	ECN	DESCRIPTION	DATE	BY
THIS DRAWING CONTAINS PROPRIETARY CONFIDENTIAL INFORMATION OWNED BY TRANSARCTIC CANADA INC. THE DOCUMENT AND THE INFORMATION IN IT ARE NOT TO BE USED, DISCLOSED OR REPRODUCED WITHOUT EXPRESS WRITTEN PERMISSION OF THE COMPANY.				
UNSPECIFIED TOLERANCES:		(ALT. DIM)		
ONE DECIMAL PLACE (X)	.50	(.020)		
TWO DECIMAL PLACE (XX)	.25	(.010)		
THREE DECIMAL PLACE (XXX)	.10	(.005)		
FRACTIONAL +/- .002"	ANGULAR +/- .50°			
		THIRD ANGLE PROJECTION		

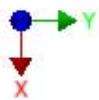
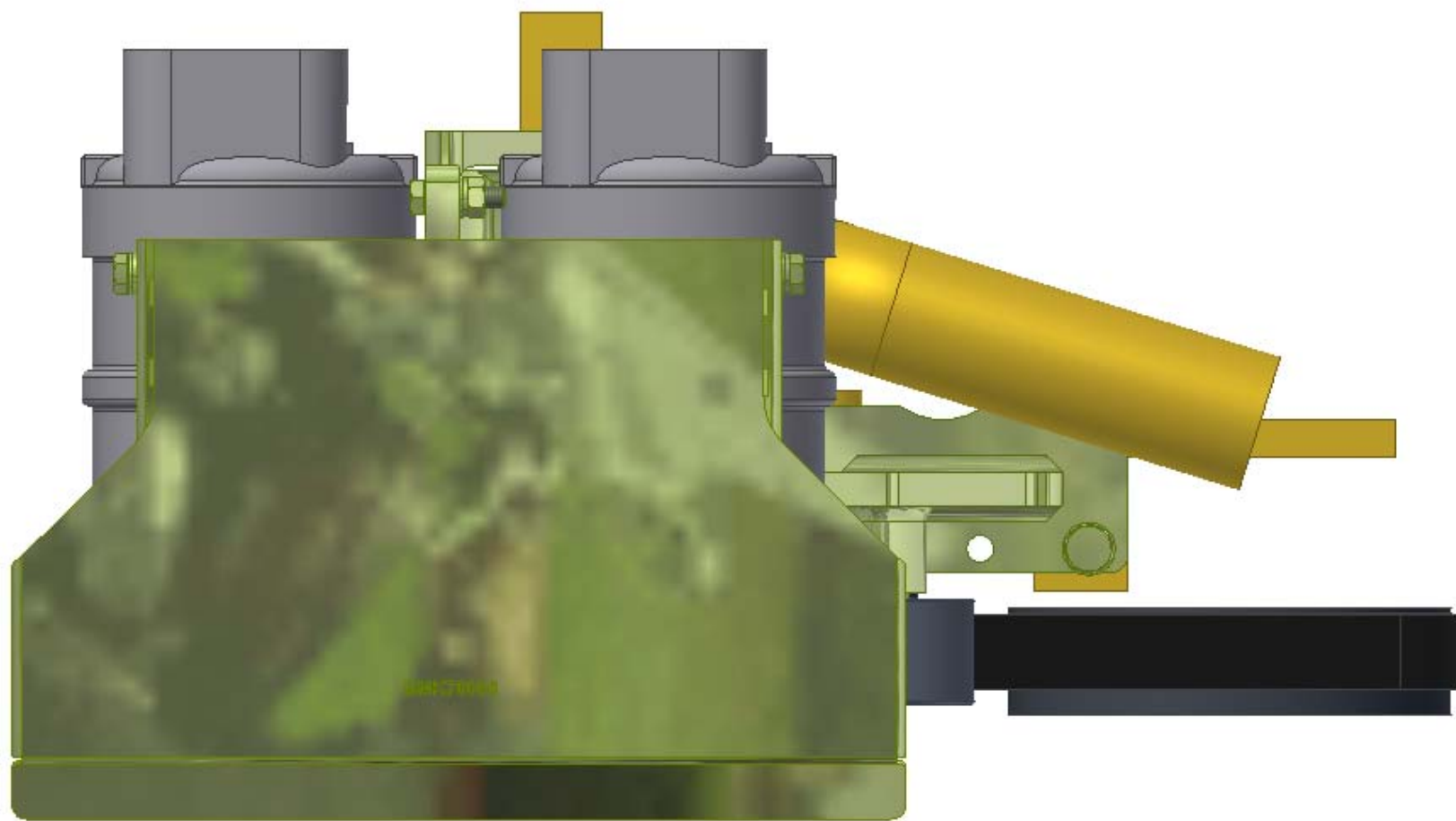
NOTES:

- 1) USE SERVICABLE THREADLOCKER ON ALL FASTENERS TO ENGINE COMPONENTS AND TORQUE **ALL** BOLTS TO S.A.E. SPECIFICATIONS.
- 2) SEE "TRANSARCTIC A/C COMPRESSOR MOUNT INSTALLATION DISCLAIMER".

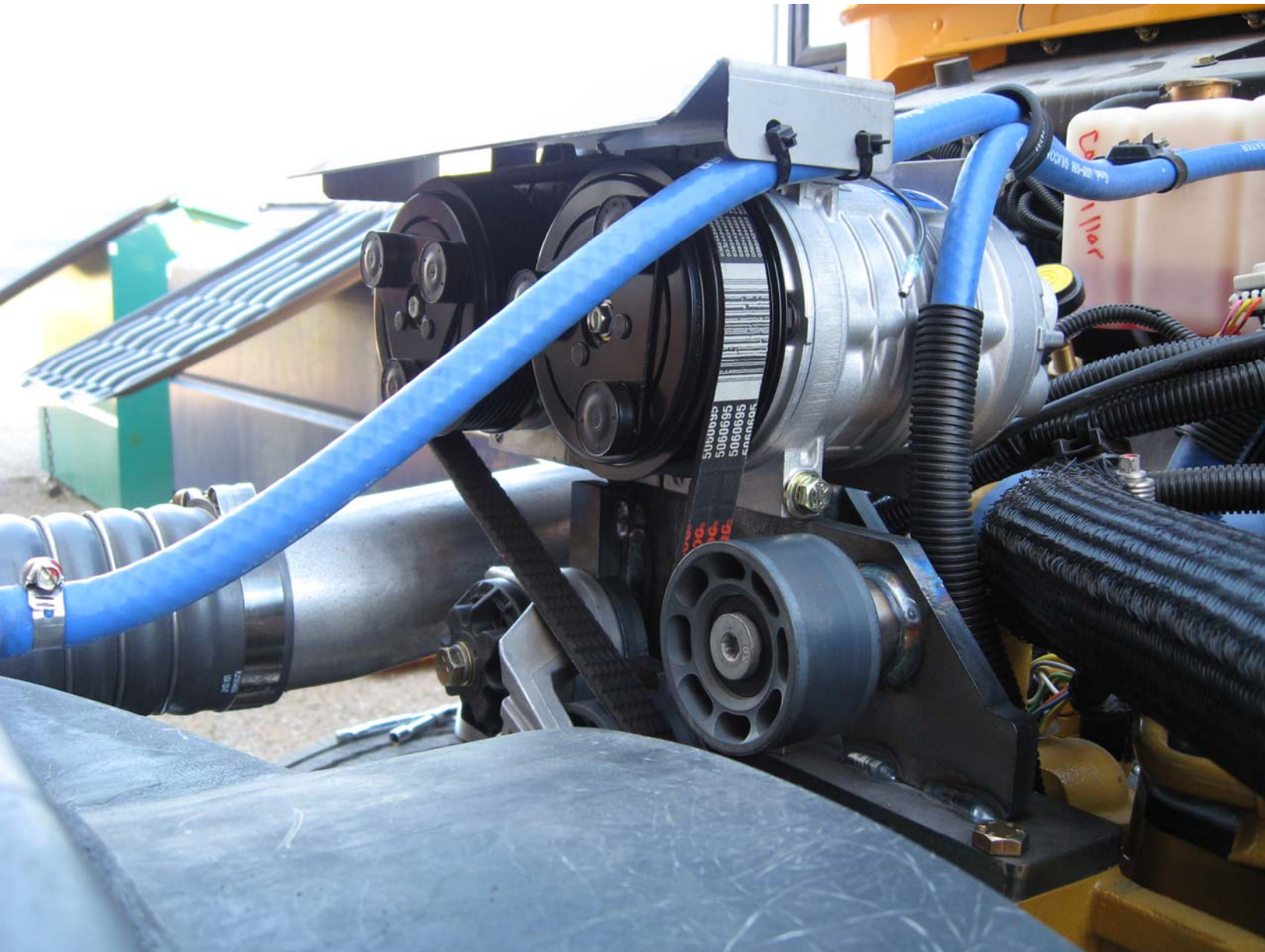




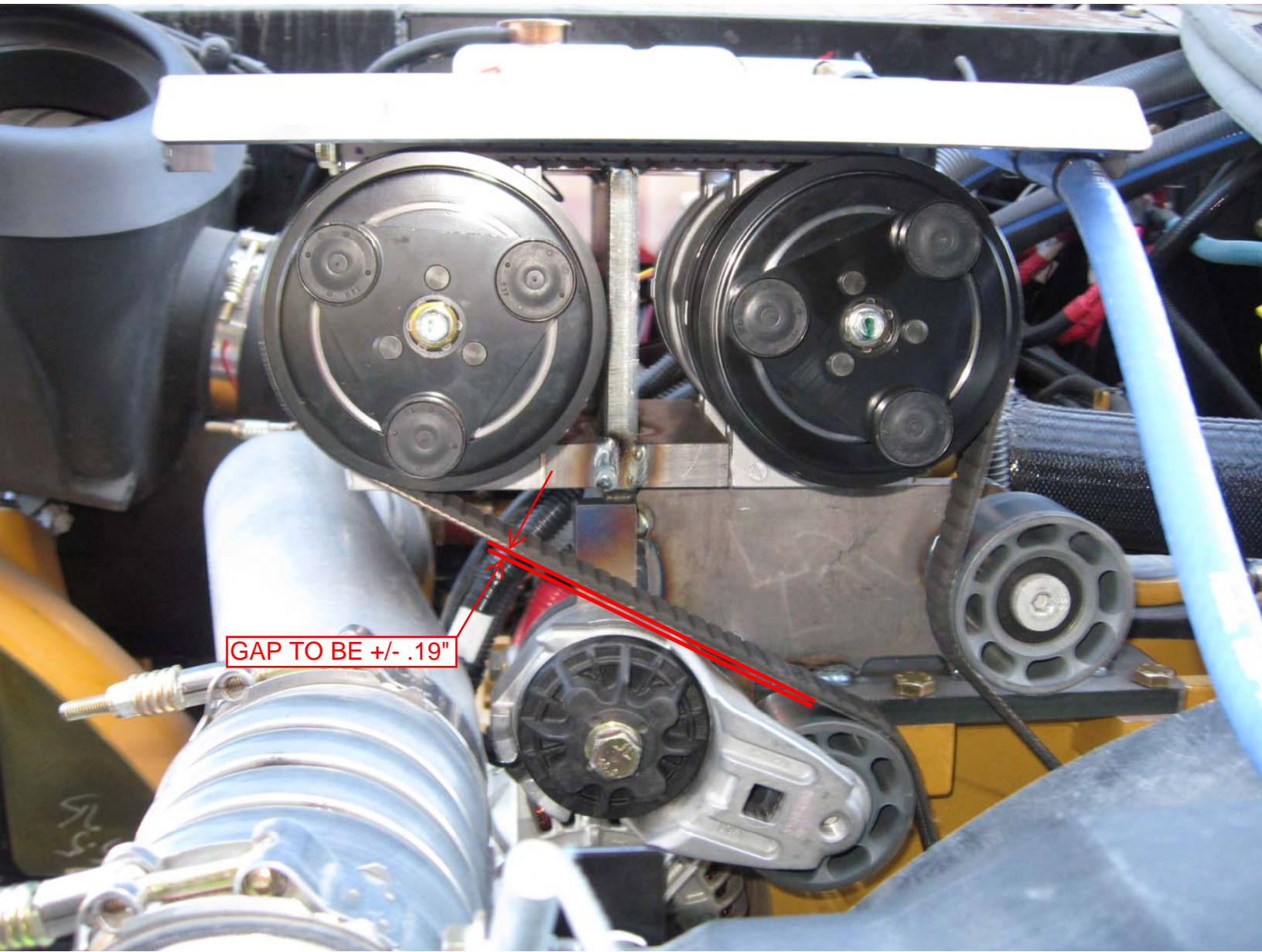












GAP TO BE +/- .19"

## **TransArctic A/C Compressor Mount Installation Disclaimer**

All compressor mounts should be installed by qualified and trained personnel using proper tools and equipment in safe working conditions following industry standard guidelines for motor vehicle service and repair.

The installer of any compressor mount purchased from TransArctic must undertake all responsibility of issues arising from that compressor bracket being installed on any vehicle. As well as insure that a **proper and sufficient ground** is established between the compressors' clutches and the vehicle's engine. Mount functionality, operation and durability can all be compromised by an incompetent installation.

Due to the many different situations, parameters and application criteria, which are beyond the compressor mount manufacturer's control, TransArctic does not warrant design, durability, or operational functionality of any compressor mount improperly installed by another party.

**With no implied guarantees it is the mount installer's strict responsibility to determine safety and functionality, of the compressor mount, at the time of installation.**

Please contact TransArctic with any issue arising from installation so we may better improve the product. If you have any reservations about the compressor mount integrity contact TransArctic immediately at 1-877-COLD-AIR.

**Mark OEM tensioner location**

**Install Kit**

**Check for Interferences**

**Check to ensure that the proper OEM tensioner orientation is maintained**

**Run engine with A/C system engaged for at least 10 minutes to run in belt**

**Check OEM tensioner orientation and adjust as required**

### **Responsabilidad limitada de TransArctic en la instalación del soporte del compresor**

Todos los soportes de los compresores deben ser instalados por personas calificadas y entrenadas, usando para ello los equipos y herramientas necesarios para esta labor en buenas condiciones y según las normas y guías para el servicio y/o reparación de motores de vehículos.

El instalador de los soportes comprados en TransArctic asume toda la responsabilidad de cualquier problema que surja en el soporte del compresor al vehículo; de igual manera es responsable que el cable a tierra sea conectado entre el embrague del compresor y el motor del vehículo.

Se advierte que el buen funcionamiento y la durabilidad del soporte pueden ser comprometidos por defectos en su instalación.

Debido a las diversas situaciones que se puedan presentar fuera del control del fabricante, TransArctic no garantiza el diseño, la durabilidad o el correcto funcionamiento de cualquier equipo inapropiadamente instalado por terceros.

**Esta sobreentendido que el Instalador del montaje del compresor es estrictamente responsable de la seguridad y funcionamiento del equipo en el momento de la instalación.**

Si tuviera algún problema o duda acerca de la instalación del soporte del compresor pongase en contacto inmediatamente con TransArctic al teléfono 1-877-COLD-AIR de modo que podamos mejorar nuestro producto.

**Note la ubicación del medidor de tensión OEM**

**Instale el equipo**

**Controlar si hay interferencias.**

**Asegure que el medidor de tensión mantenga la orientación justa.**

**Encienda el motor por lo menos 10 minutos con el sistema A/C enganchado para que la correa corra**

**Controle la orientación justa del medidor de tensión y ajuste a las condiciones requeridas del fabricante**