

Bill of Materials Listing

TransArctic Canada Inc.

11/8/2012
Page 1 of 1

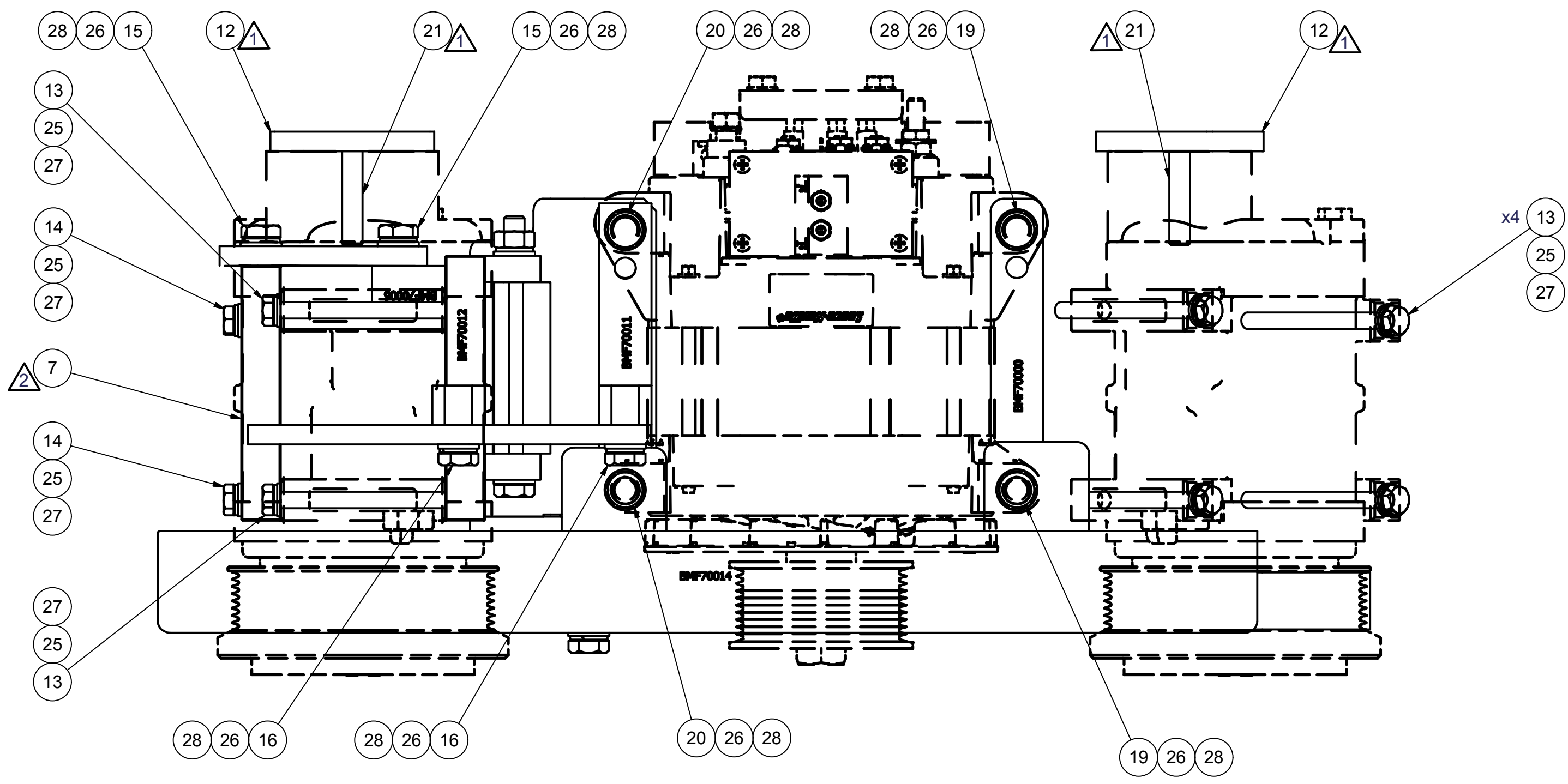
Product Number	Description	Date	Weight	Uof M	Yield	
Line	Component Prod#	Bin	Unit	Qty		
KMF72670	Mt Kit, FORD 6.8L LPG, BBCV, 2 TM-21,'12			3/23/2012	19.78	0
5	PAC15110		Pack, Carton, 15" x 11" x 10", 51 ECT	each	1	
10	BEL83200		Belt, 8gr, 3200mm (126.0") (5081260)	each	1	
20	BMF70000		Bkt, Spacer, Bar, D/S, ALT, '12	each	1	
30	BMF70002		Bkt, Tenr, Arm, Bottom, Ford, '12	each	1	
40	BMF70004		Bkt, Main, Weldm't, FORD, '12	each	1	
50	BMF70005		Bkt, Tenr, Arm, Top, Ford, '12	each	1	
60	BMF70006		Bkt, Block, Lower, Ford, '12	each	1	
70	BMF70009		Bkt, Cradle, Low, P/S, 87mm	each	1	
80	BMF70010		Bkt, Cradle, Weldm't, Lower , FORD, '12	each	1	
90	BMF70011		Bkt, Cradle, Weldm't, Top, D/S, Ford,'12	each	1	
100	BMF70012		Bkt, Cradle, Weldm't, Top, P/S, '12	each	1	
105	BMF70014		Bkt, Shroud, Cover, 12Ga, Ford, '12	each	1	
115	BMZ01054		Plate, Retainer, Compressor, FTG, C/S	each	2	
125	PUL80089		Pulley, Idler, Backside,P8,86.4d (89106)	each	1	
135	SLV17010		Sleeve, Pulley, 16.9o x 22.23mm x 10.32i	each	1	
145	KBF72670		Bag Kit, Fasteners, KMF72670/KMF72070	each	1	

Bill of Materials Listing

TransArctic Canada Inc.

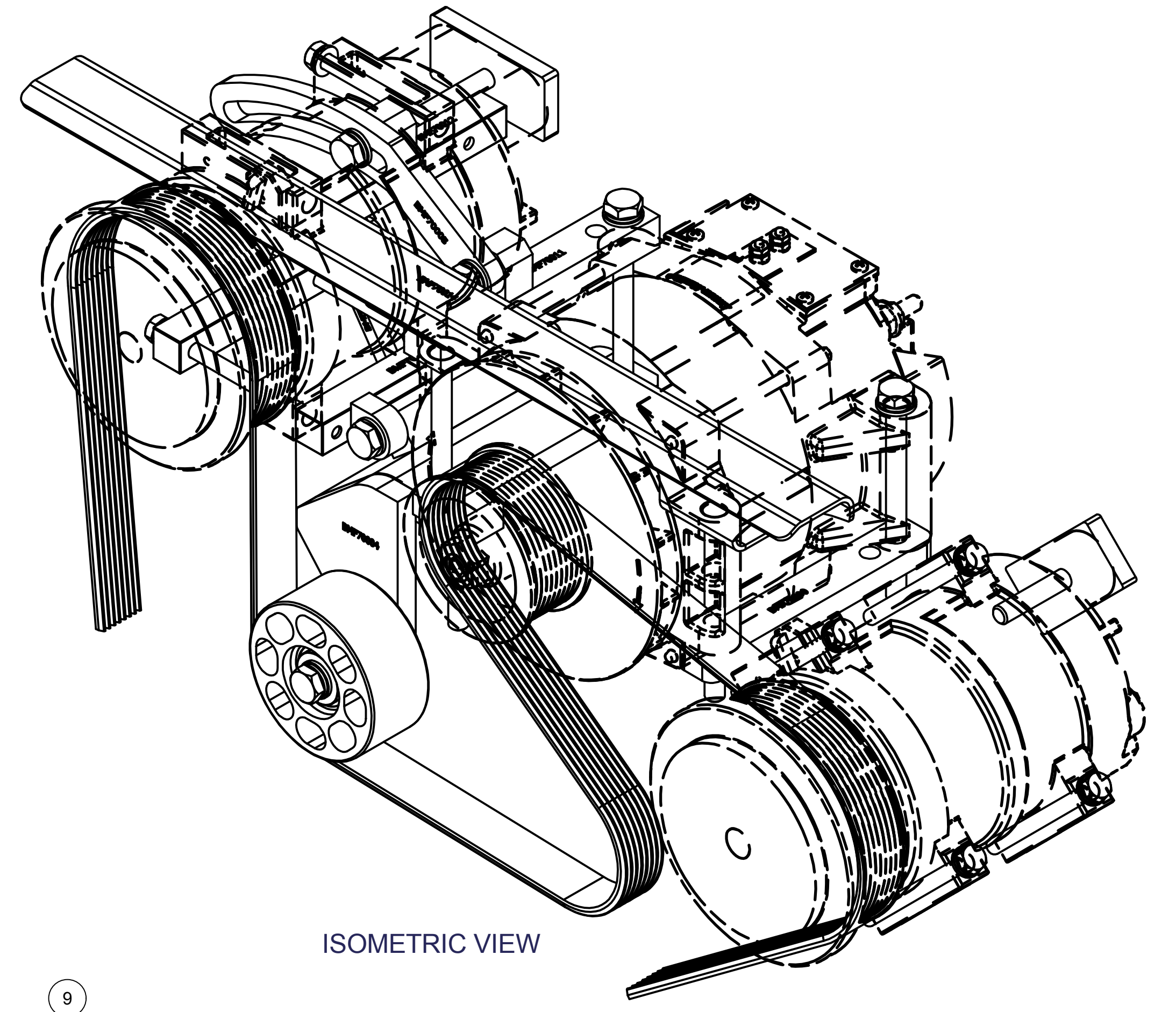
11/8/2012
Page 1 of 1

Product Number	Description	Date	Weight	Uof M	Yield
Line Component Prod#	Description	Bin Unit	Qty		
KBF72670	Bag Kit, Fasteners, KMF72670/KMF72070		3/2/2012	2.42 ea	1
10	BTC08100		Bolt, Hex, 8 x 1.25 x 100mm, 10.9, Plt	each	6
20	BTC08120		Bolt, Hex, 8 x 1.25 x 120mm, 10.9, Plt	each	2
30	BTC10025		Bolt, Hex, 10 x 1.5 x 25mm, 10.9, Plt	each	2
40	BTC10030		Bolt, Hex, 10 x 1.5 x 30mm, 10.9, Plt	each	2
50	BTC10060		Bolt, Hex, 10 x 1.5 x 60mm, 10.9, Plt	each	1
60	BTC10090		Bolt, Hex, 10 x 1.5 x 90mm, 10.9, Plt	each	1
70	BTC10120		Bolt, Hex, 10 x 1.5 x 120mm, 10.9, Plt	each	2
80	BTC10130		Bolt, Hex, 10 x 1.5 x 130mm, 10.9, Plt	each	3
90	NTA10000		Nut, Hex, 10 x 1.5, 8.8, Plt	each	1
100	WFA08000		Washer, Flat, 8mm, 8.8, Plt	each	8
110	WFA10000		Washer, Flat, 10mm, 8.8, Plt	each	12
120	WLA08000		Washer, Lock, 8mm, 8.8, Plt	each	8
130	WLA10000		Washer, Lock, 10mm, 8.8, Plt	each	11
140	CSF10056		Capscrew, FH, 10 x 1.5 x 55mm, 10.9,Plt	each	2

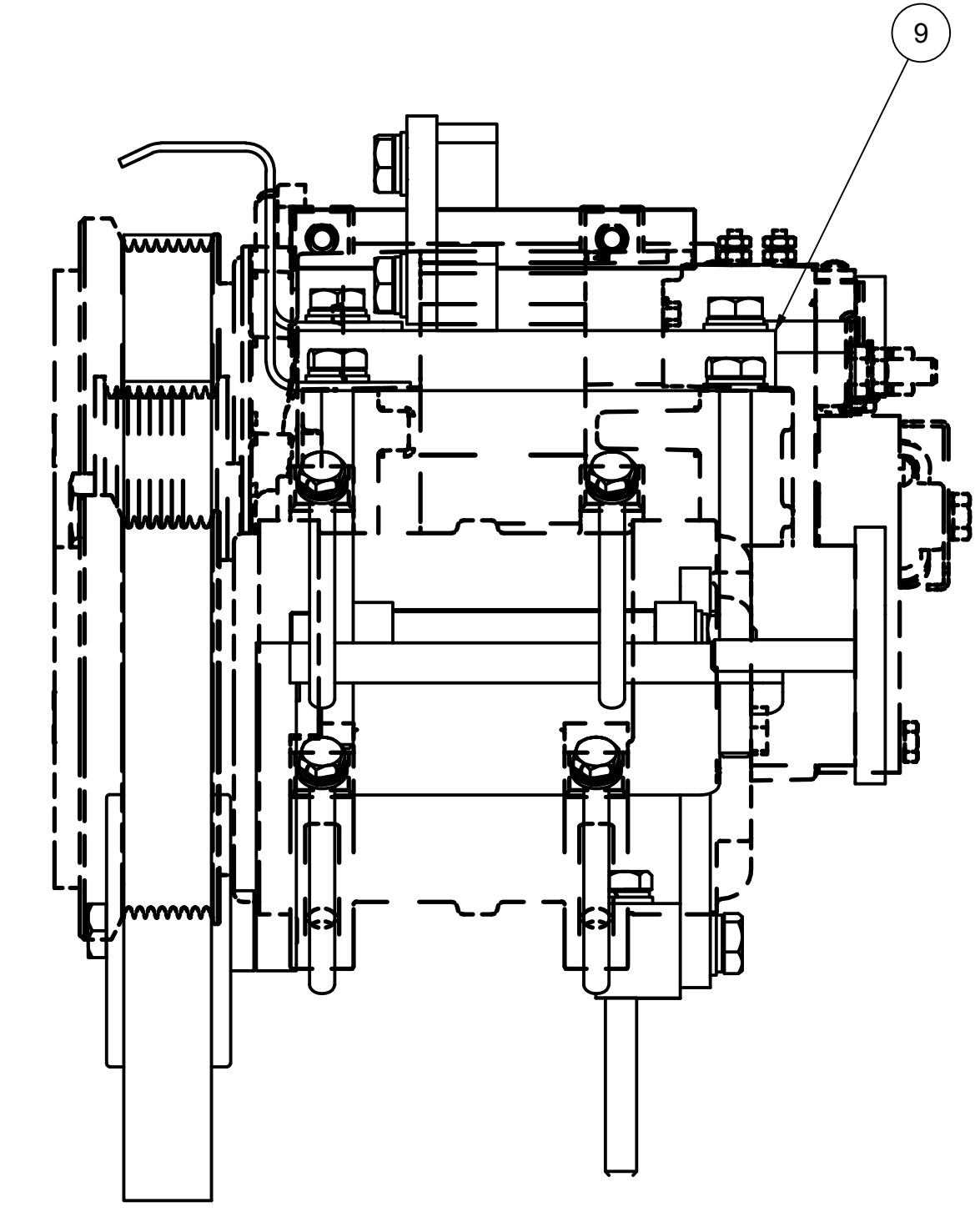
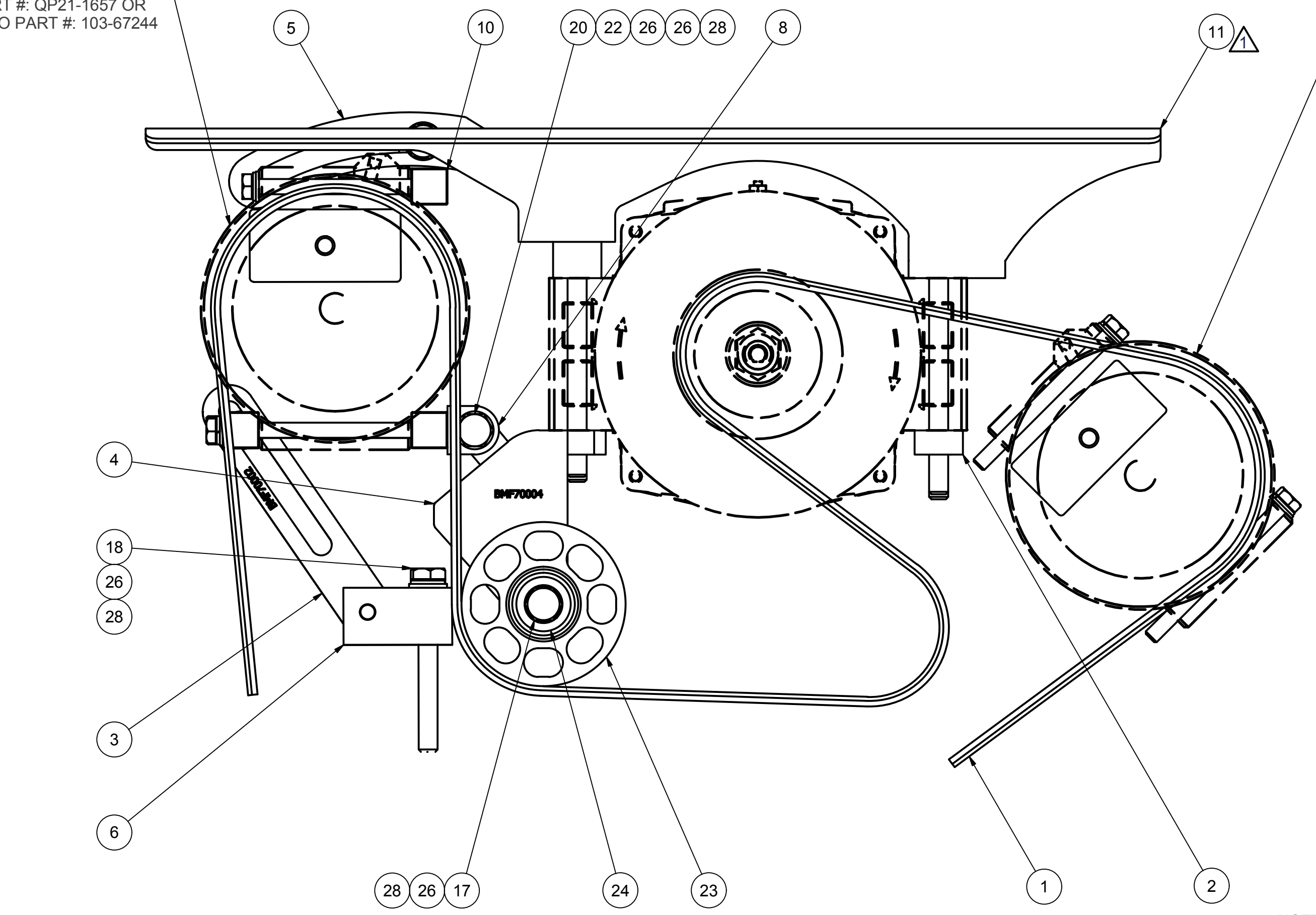


NOTE:
QUE COMPRESSOR
PART #: QP21-1657 OR
VALEO PART #: 103-67244

NOTE:
QUE COMPRESSOR
PART #: QP21-1657 OR
VALEO PART #: 103-67244



ISOMETRIC VIEW

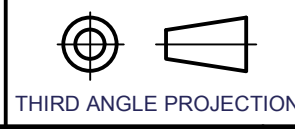


NOTES:
1) USE SERVICABLE THREADLOCKER ON ALL FASTENERS TO ENGINE COMPONENTS AND TORQUE ALL BOLTS TO S.A.E. SPECIFICATIONS.
2) SEE "TRANSARCTIC A/C COMPRESSOR MOUNT INSTALLATION DISCLAIMER".

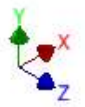
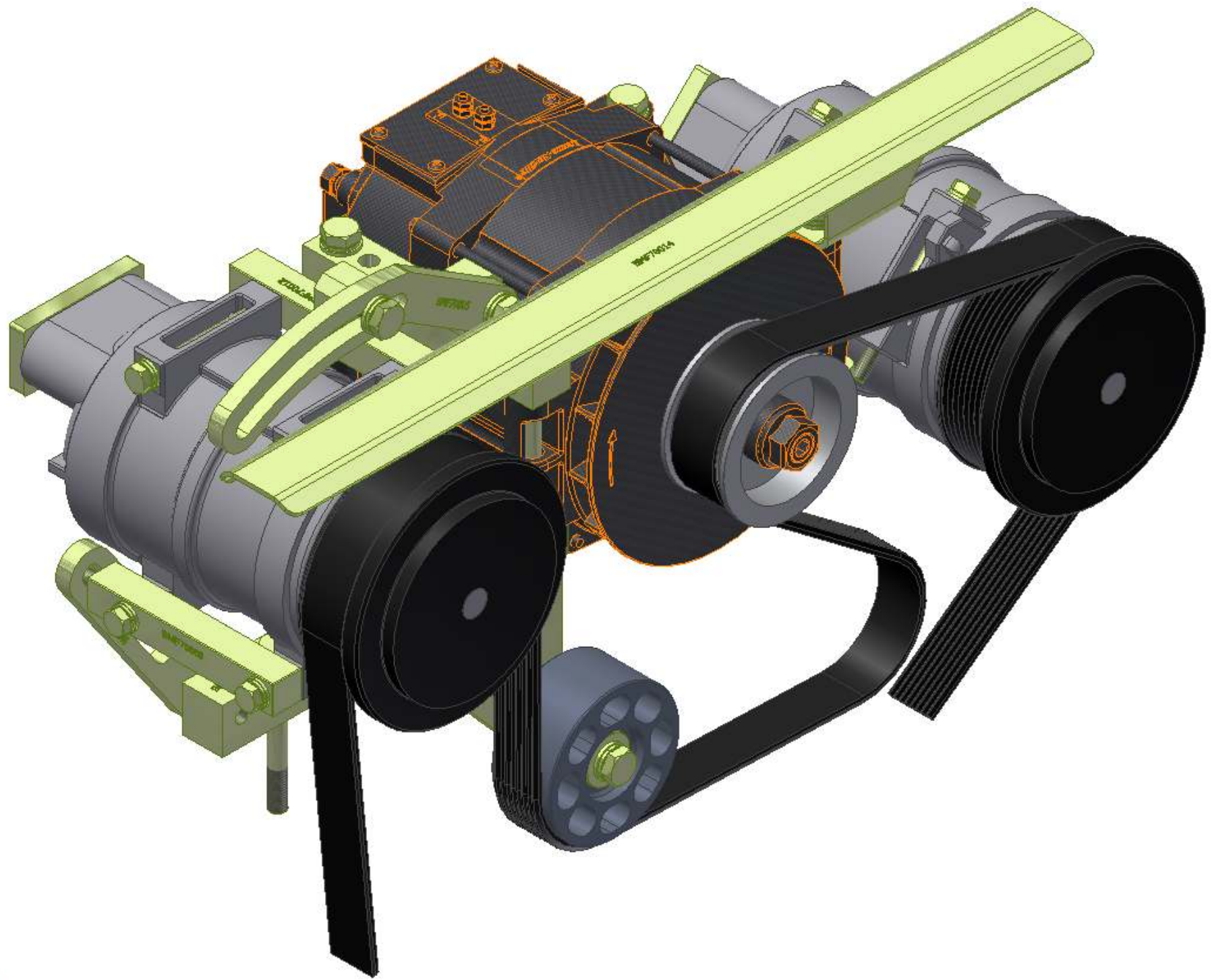
ITEM	QTY	U/M	PART NUMBER	DESCRIPTION
28	11	EACH	WLA10000	WASHER, LOCK, 10mm, 8.8, PLT
27	8	EACH	WLA08000	WASHER, LOCK, 8mm, 8.8, PLT
26	12	EACH	WFA10000	WASHER, FLAT, 10mm, 8.8, PLT
25	8	EACH	WFA08000	WASHER, FLAT, 8mm, 8.8, PLT
24	1	EACH	SLV17010	SLEEVE, PULLEY, 16.9o x 22.23mm x 10.32i
23	1	EACH	PUL80089	PULLEY, IDLER, BACKSIDE, P8, 86.4D, 39W
22	1	EACH	NTA10000	NUT, HEX, 10 x 1.5, 8.8, PLT
21	2	EACH	CSF10056	CAPSCREW, FH, 10 x 1.5 x 55mm, 10.9, PLT
20	3	EACH	BTC10130	BOLT, HEX, 10 x 1.5 x 130mm, 10.9, PLT
19	2	EACH	BTC10120	BOLT, HEX, 10 x 1.5 x 120mm, 10.9, PLT
18	1	EACH	BTC10090	BOLT, HEX, 10 x 1.5 x 90mm, 10.9, PLT
17	1	EACH	BTC10060	BOLT, HEX, 10 x 1.5 x 60mm, 10.9, PLT
16	2	EACH	BTC10030	BOLT, HEX, 10 x 1.5 x 30mm, 10.9, PLT
15	2	EACH	BTC10025	BOLT, HEX, 10 x 1.5 x 25mm, 10.9, PLT
14	2	EACH	BTC08120	BOLT, HEX, 8 x 1.25 x 120mm, 10.9, PLT
13	6	EACH	BTC08100	BOLT, HEX, 8 x 1.25 x 100mm, 10.9, PLT
12	2	EACH	BMZ01054	PLATE, RETAINER, COMPRESSOR, FITTING, C/S
11	1	EACH	BMF70014	BKT, SHROUD, COVER, 12ga, FORD, '12
10	1	EACH	BMF70012	BKT, CRADLE, WELDM'T, TOP, P/S, '12
9	1	EACH	BMF70011	BKT, CRADLE, WELDM'T, TOP, D/S, FORD, '12
8	1	EACH	BMF70010	BKT, CRADLE, WELDM'T, LOWER, FORD, '12
7	1	EACH	BMF70009	BKT, CRADLE, LOW, P/S, 87mm
6	1	EACH	BMF70006	BKT, BLOCK, LOWER, FORD, '12
5	1	EACH	BMF70005	BKT, TENR, PL, TOP, FORD, '12
4	1	EACH	BMF70004	BKT, MAIN, WELDM'T, FORD, '12
3	1	EACH	BMF70002	BKT, TENR, ARM, BOTTOM, FORD, '12
2	1	EACH	BMF70000	BKT, SPACER, BAR, D/S, ALT, '12
1	1	EACH	BEL83200	BELT, 8gr, 3200mm (126.0") (5081260)

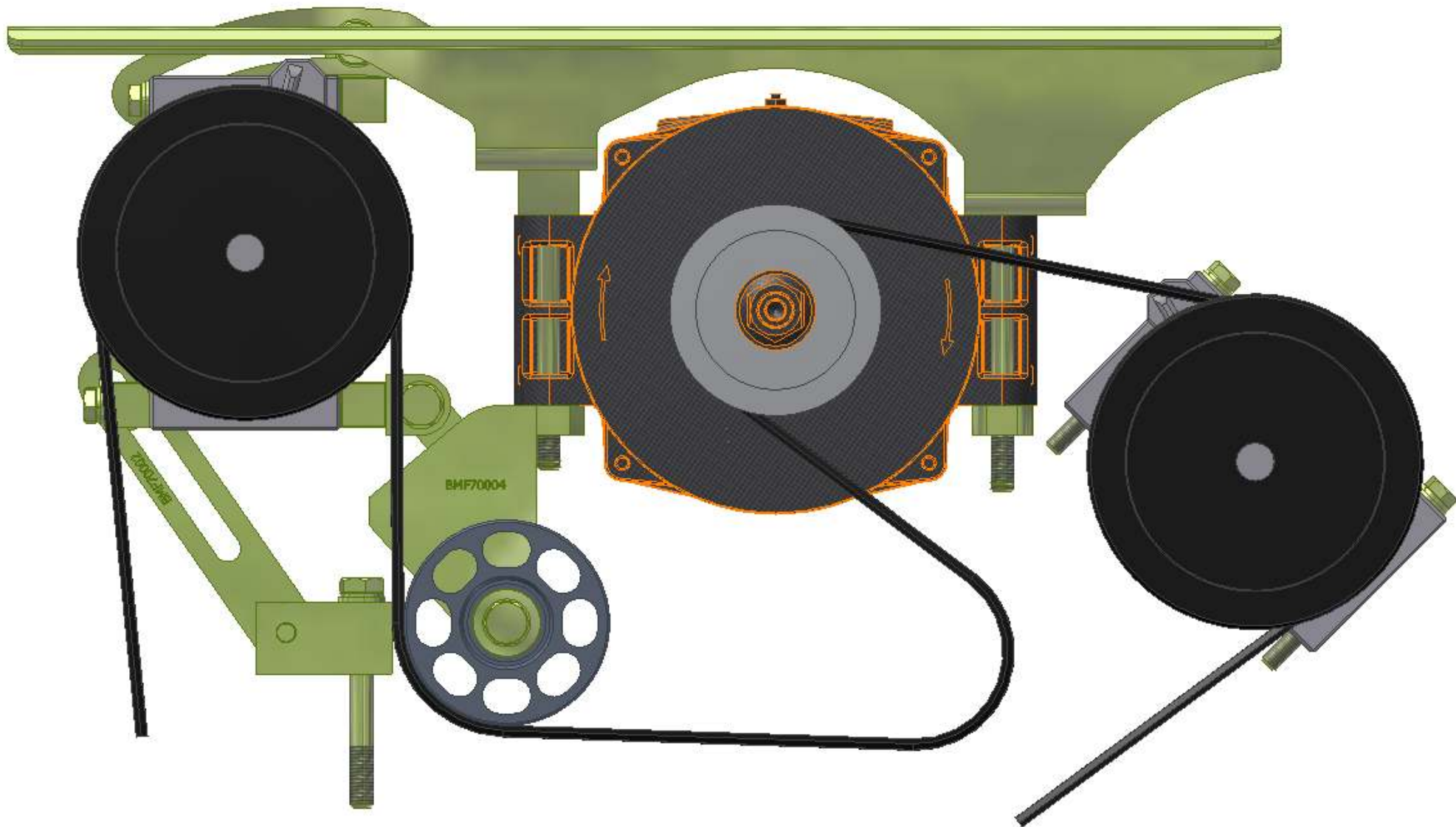
BILL OF MATERIALS						
DRAWN	Jose Rodriguez	3/22/2012				
CHECKED	Val Jakowlew	3/22/2012				
RELEASED TO PRODUCTION	James Stewart	3/22/2012				
APPROVED	Ron Ingram	3/22/2012				
REV	ECN	DESCRIPTION	DATE	BY	DATE	BY
2		REVISED BMF70009.	12/3/2013	JRR		
1		GENERAL REVISION.	11/8/2012	JRR		
0		RELEASED TO PRODUCTION	7/6/2012	JRR		
TITLE: MT KIT, FORD 6.8L LPG, BBCV, 2 TM-21, '12						
DRAWING UNIT OF MEASURE: MM [INCH]		SCALE: 1:1	DWG NO: KMF72670	REV: 2		
SHEET 1 OF 1						

UNSPECIFIED TOLERANCES: (ALT DIM)			
ONE DECIMAL PLACE (XX)	MM	[INCH]	50
TWO DECIMAL PLACE (XXX)	MM	[INCH]	25
THREE DECIMAL PLACE (XXXX)	MM	[INCH]	10
FRACTIONAL +/- .002"	ANGULAR	+/- .50°	



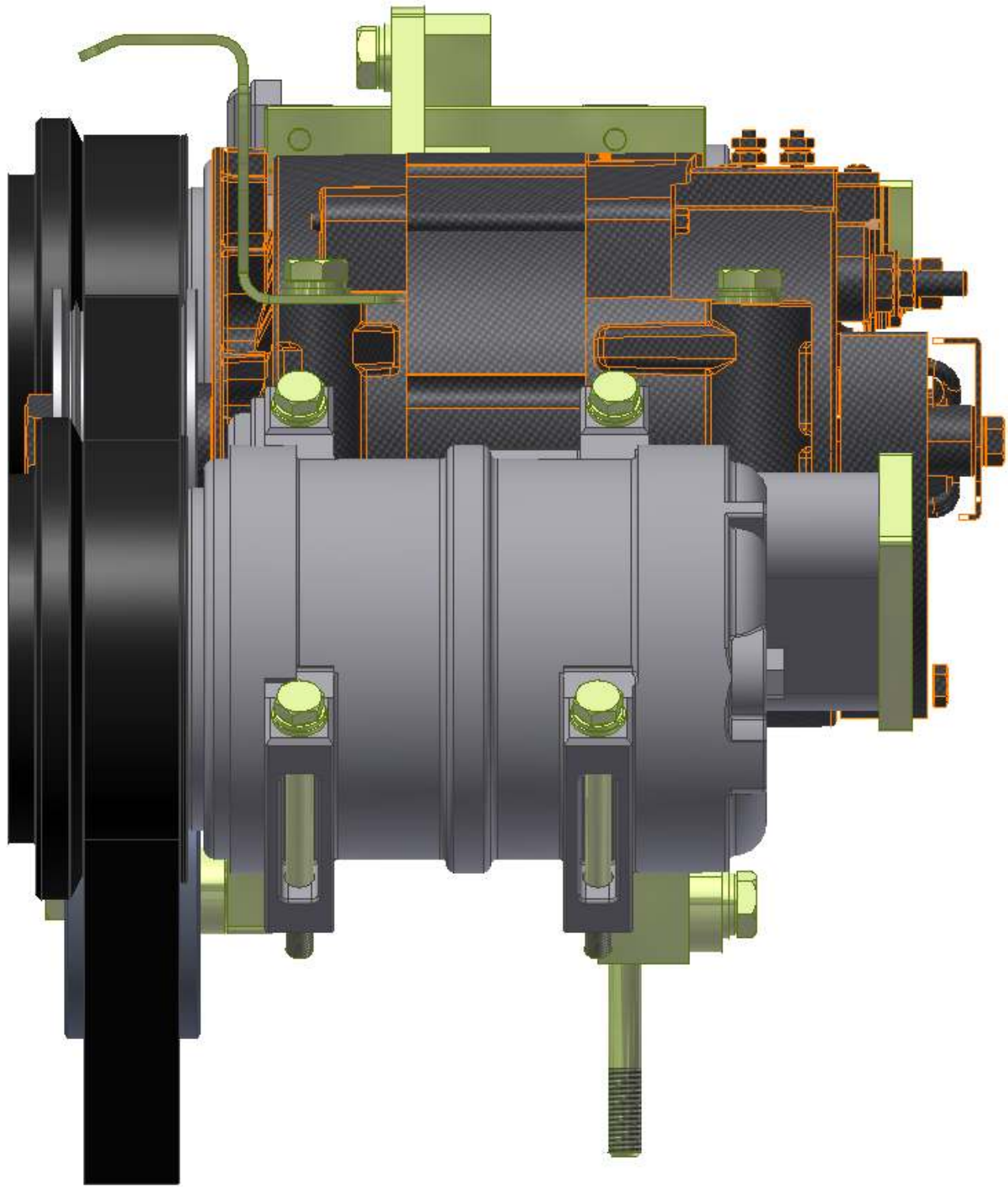
THIRD ANGLE PROJECTION

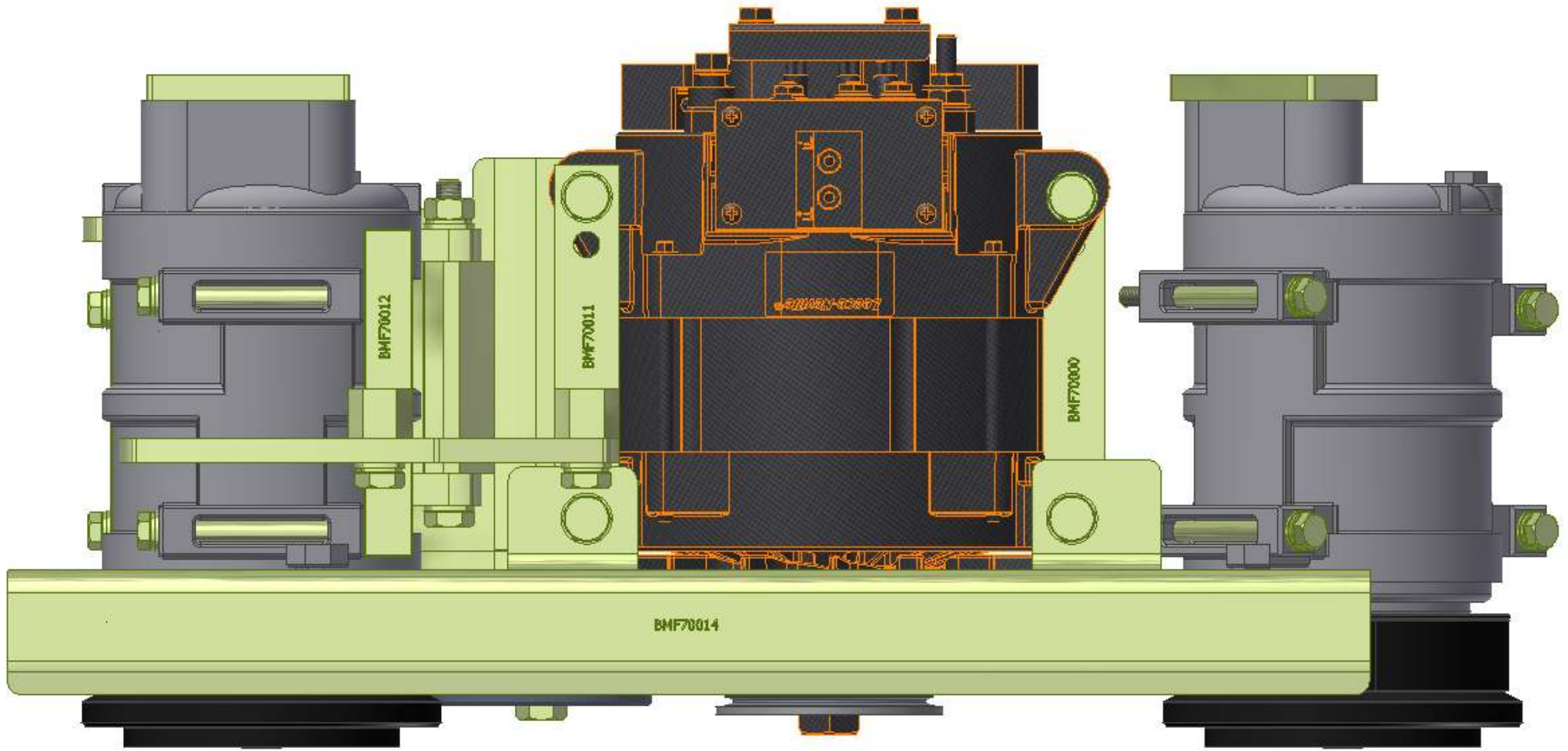


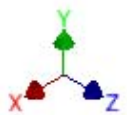
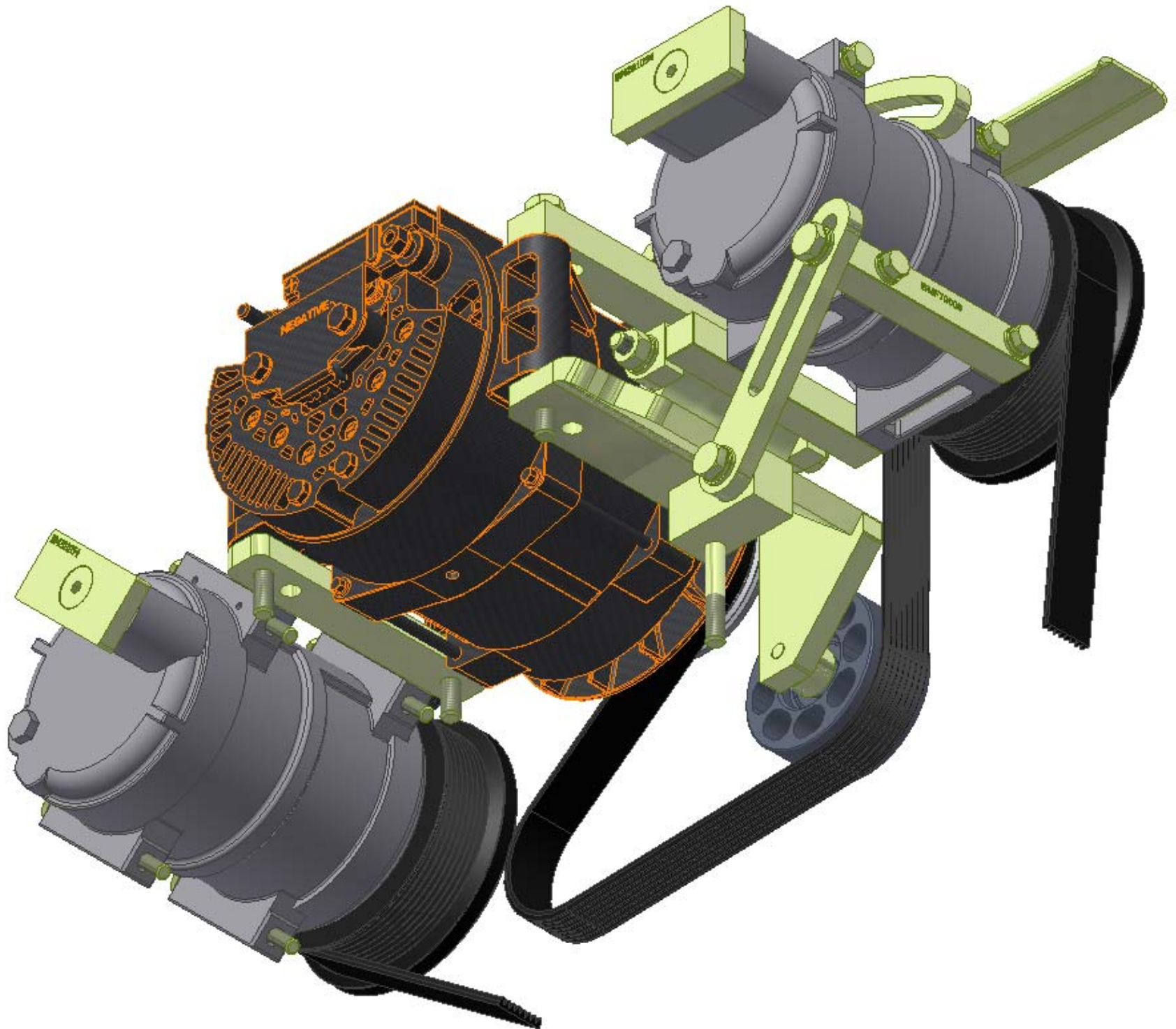


BMF7004









TransArctic A/C Compressor Mount Installation Disclaimer

All compressor mounts should be installed by qualified and trained personnel using proper tools and equipment in safe working conditions following industry standard guidelines for motor vehicle service and repair.

The installer of any compressor mount purchased from TransArctic must undertake all responsibility of issues arising from that compressor bracket being installed on any vehicle. As well as insure that a **proper and sufficient ground** is established between the compressors' clutches and the vehicle's engine. Mount functionality, operation and durability can all be compromised by an incompetent installation.

Due to the many different situations, parameters and application criteria, which are beyond the compressor mount manufacturer's control, TransArctic does not warrant design, durability, or operational functionality of any compressor mount improperly installed by another party.

With no implied guarantees it is the mount installer's strict responsibility to determine safety and functionality, of the compressor mount, at the time of installation.

Please contact TransArctic with any issue arising from installation so we may better improve the product. If you have any reservations about the compressor mount integrity contact TransArctic immediately at 1-877-COLD-AIR.

Mark OEM tensioner location

Install Kit

Check for Interferences

Check to ensure that the proper OEM tensioner orientation is maintained

Run engine with A/C system engaged for at least 10 minutes to run in belt

Check OEM tensioner orientation and adjust as required

Responsabilidad limitada de TransArctic en la instalación del soporte del compresor

Todos los soportes de los compresores deben ser instalados por personas calificadas y entrenadas, usando para ello los equipos y herramientas necesarios para esta labor en buenas condiciones y según las normas y guías para el servicio y/o reparación de motores de vehículos.

El instalador de los soportes comprados en TransArctic asume toda la responsabilidad de cualquier problema que surja en el soporte del compresor al vehículo; de igual manera es responsable que el cable a tierra sea conectado entre el embrague del compresor y el motor del vehículo.

Se advierte que el buen funcionamiento y la durabilidad del soporte pueden ser comprometidos por defectos en su instalación.

Debido a las diversas situaciones que se puedan presentar fuera del control del fabricante, TransArctic no garantiza el diseño, la durabilidad o el correcto funcionamiento de cualquier equipo inapropiadamente instalado por terceros.

Esta sobreentendido que el Instalador del montaje del compresor es estrictamente responsable de la seguridad y funcionamiento del equipo en el momento de la instalación.

Si tuviera algún problema o duda acerca de la instalación del soporte del compresor pongase en contacto inmediatamente con TransArctic al teléfono 1-877-COLD-AIR de modo que podamos mejorar nuestro producto.

Note la ubicación del medidor de tensión OEM

Instale el equipo

Controlar si hay interferencias.

Asegurese que el medidor de tensión mantenga la orientación justa.

Encienda el motor por lo menos 10 minutos con el sistema A/C enganchado para que la correa corra

Controle la orientación justa del medidor de tensión y ajuste a las condiciones requeridas del fabricante