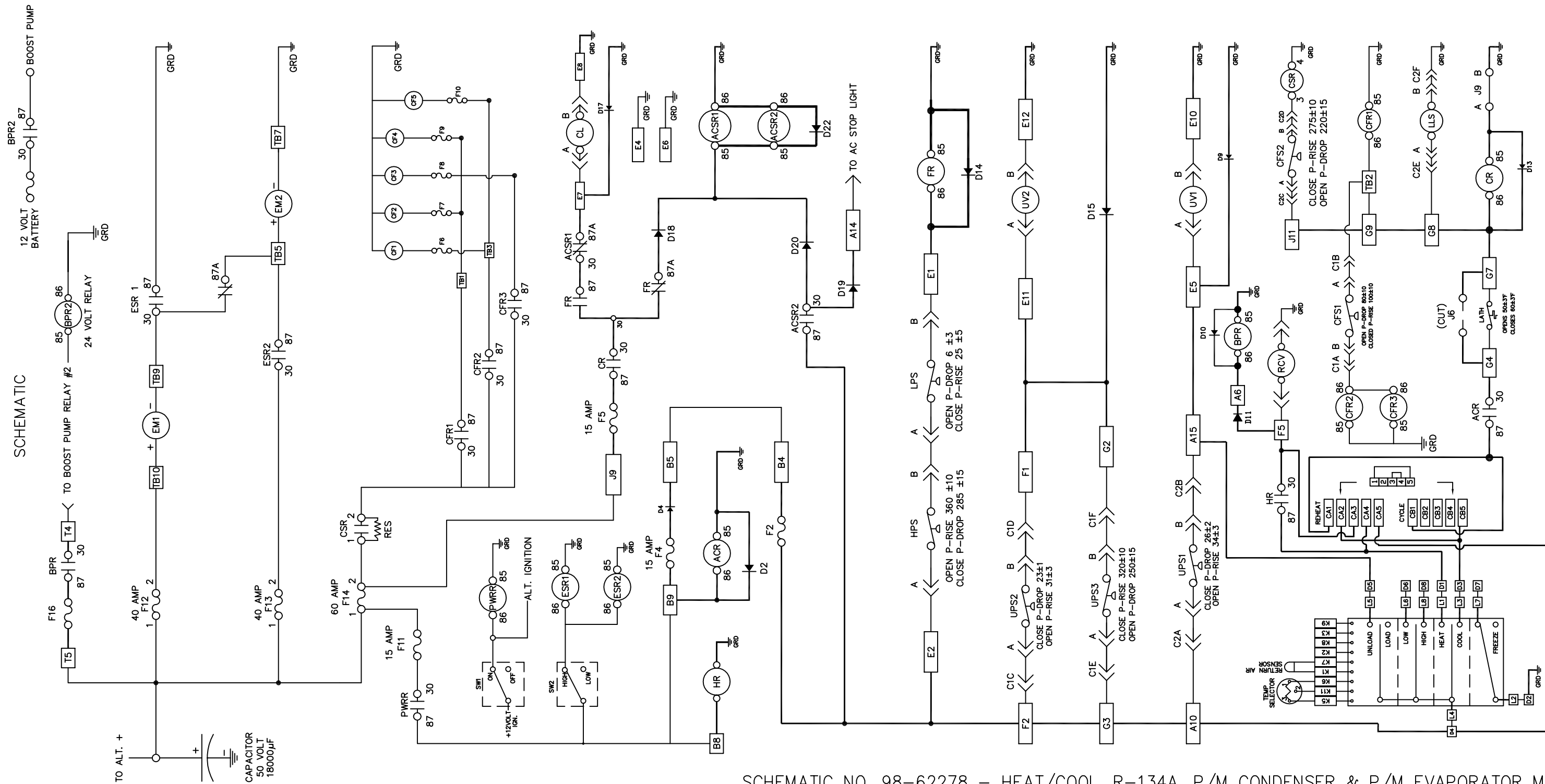


SCHEMATIC

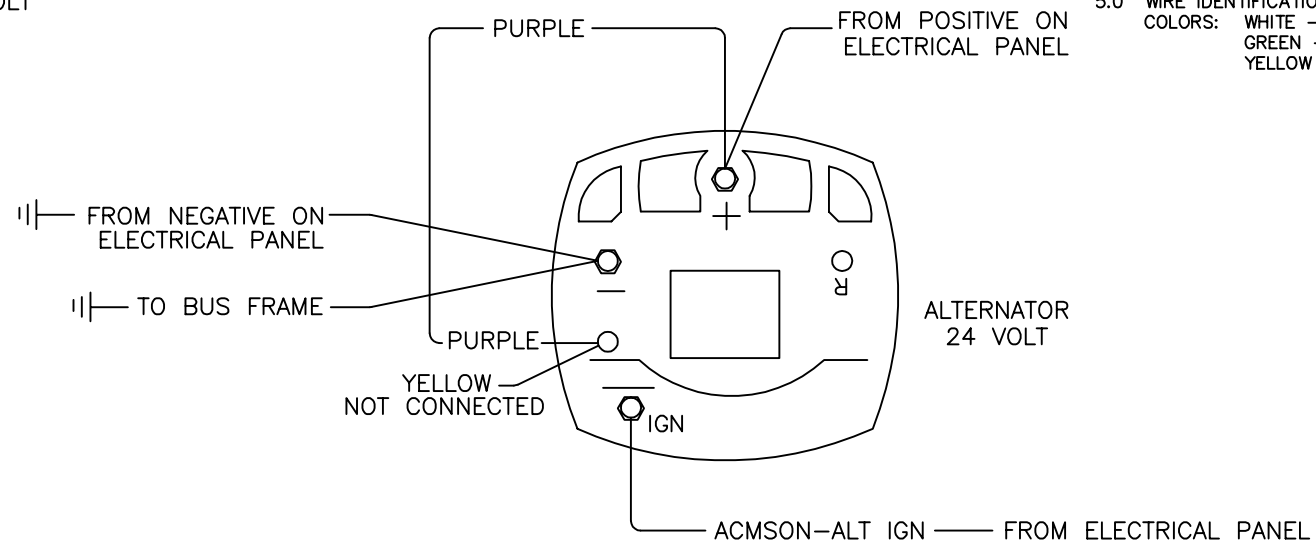
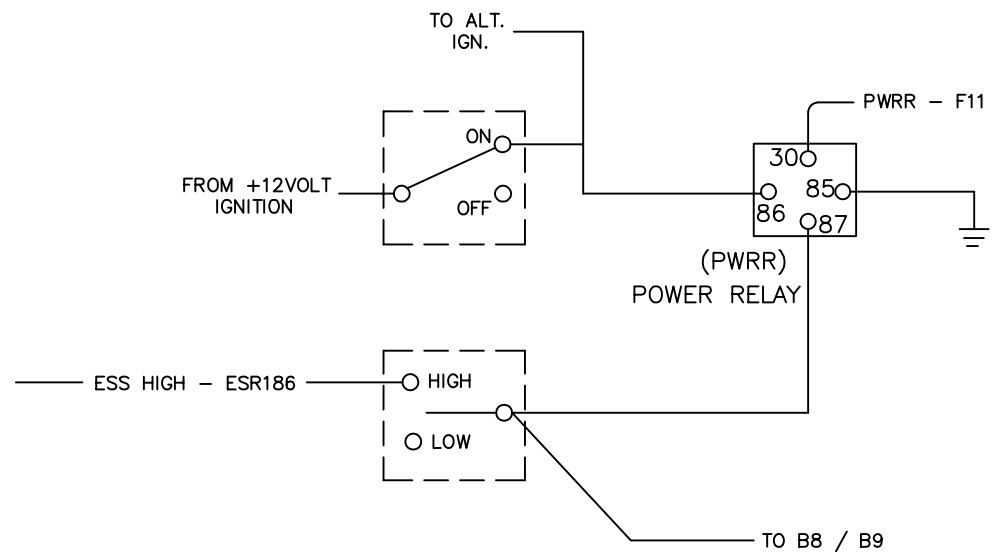
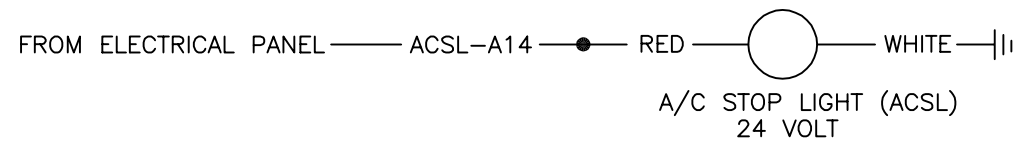


SCHEMATIC NO. 98-62278 - HEAT/COOL, R-134A, P/M CONDENSER & P/M EVAPORATOR MOTORS
THIS SCHEMATIC SHOULD NOT BE CHANGED UNLESS APPROVED BY A/C INDUSTRIES ENG.

SHEET	REV	A	A
INDEX	SHEET	1	2

A	INITIAL RELEASE	2/6/01	TDL		68N438GN01
SYM	REVISION RECORD	DATE	BY	CHK'D	APP'D
					AUTH NO.

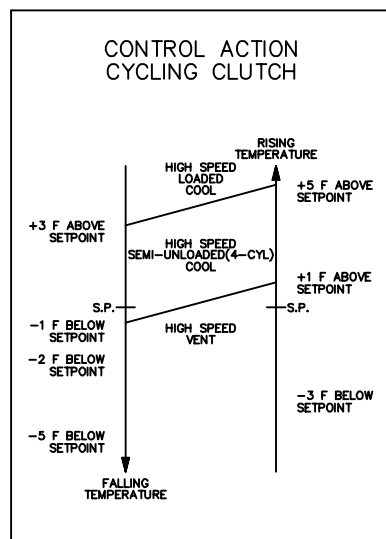
CODE NO.		CAD SYSTEM: AutoCAD	
UNLESS OTHERWISE SPECIFIED ALL DIMENSIONS SHOWN ARE INCHES WITH METRIC CONVERSIONS IN [MILLIMETERS].		THIRD ANGLE PROJECTION	
UNLESS OTHERWISE SPECIFIED TOLERANCES ON:		MATERIAL	
.00 DEC	.000 DEC	DEC	ANG
± .04	± .020	±	± 2'
[.0] DEC	[.00] DEC	DEC	
± [1.0]	± [.50]	±	[]
SURFACES	HOLE DIA.	HOLE SPACING	HOLE LOC
✓ AA	.005	± .015	± .03
	± [.13]	± [.38]	± [.76]
		NON-CUMULATIVE	
DIMENSIONS IN (PARENTHESIS) ARE REFERENCE			
APPLIED FINISH		AUTH NO. ???	
WEIGHT	MFG/PURCH	ENGINEERING	MANUFACTURING
		PACKAGING	ELEC ENGR RELIAB ENGR
		DR	TDL
		DATE	8/5/00
MFG		CHK'D	DATE
		TITLE	
		SCHEMATIC	
		EM-17, W/HEAT R-134A	
SIZE	DRAWING NO.	REV	A
D	98-62278		
	SHEET 1 OF 2		
NEXT DRAWING	NONE	SCALE	FULL



NOTES:

- 1.0 THIS DRAWING WAS DEVELOPED IN ACCORDANCE WITH CTD ENGINEERING REQUIREMENT 57-00583-00 AND SHOULD BE INTERPRETED ACCORDINGLY BY BOTH INTERNAL CTD MANUFACTURING PERSONNEL AND EXTERNAL SUPPLIERS.
- 2.0 UNIT SHOWN IS IN THE OFF POSITION.
- 3.0 RELAY CONTACTS SHOWN ARE IN THEIR NORMAL UNENERGIZED POSITION.
- 4.0 ADDRESS SYSTEM: EXAMPLE, CB6-CR30 INDICATES A WIRE BETWEEN CIRCUIT BREAKER #6 AND CLUTCH RELAY TERMINAL #30.
- 5.0 WIRE IDENTIFICATION SYSTEM:
COLORS: WHITE - DC CONTROL CIRCUIT
GREEN - GROUND
YELLOW - OPTIONAL CIRCUITS

CONTROL ACTION DIAGRAM



SYMBOL

DESCRIPTION

ACMS	A/C MODE SWITCH
ACR	A/C RELAY
ACSR1	A/C STOP RELAY #1 (TIME DELAYED)
ACSR2	A/C STOP RELAY #2 (TIME DELAYED)
BPR	BOOST PUMP RELAY
BPR2	BOOST PUMP RELAY #2
CFR1-CFR3	CONDENSER FAN RELAY
CFS1-CFS2	CONDENSER FAN SPEED SWITCH
CL	CLUTCH
CF1-CF5	CONDENSER FAN MOTORS
CR	CLUTCH RELAY
CSR	CONDENSER SPEED RELAY
D1-D30	DIODES
DA2-DR2	DEUTSCH CONNECTOR 2 (EVAP)
DA1-DR1	DEUTSCH CONNECTOR 1 (COND)
EM1	EVAPORATOR FAN MOTOR #1
EM2	EVAPORATOR FAN MOTOR #2
ESR1-ESR2	EVAPORATOR SPEED RELAY
FR	FAULT RELAY
F2-F11,F15	FUSE, 15 AMP
F12-F13	FUSE 40A
F14	FUSE 60A
HPS	HIGH PRESSURE SWITCH
LATH	LOW AMBIENT THERMOSTAT
LPS	LOW PRESSURE SWITCH
LLS	LIQUID LINE SOLENOID
RCV	REHEAT COOLANT VALVE
TB1,3,5	TERMINAL STRIP POSITIONS
UPS1	UNLOADER PRESSURE SWITCH #1
UPS2	UNLOADER PRESSURE SWITCH #2
UPS3	UNLOADER PRESSURE SWITCH #3
UV1	UNLOADER VALVE #1
UV2	UNLOADER VALVE #2

—	INDICATES RELAY BOARD TRACE
- - -	INDICATES OPTIONAL R.B. TRACE
⊠	INDICATES PLUG LOCATION ON RELAY BOARD
⊠	INDICATES A WIRE GROUND
- - -	INDICATES BUS WIRING
—	INDICATES STANDARD OPTIONS
⊙	INDICATES A TERMINAL CONNECTION
⊏	INDICATES A CONNECTOR (WEATHER PACK)
⊏	INDICATES A NORMALLY OPEN CONTACT
⊏	INDICATES A NORMALLY CLOSED CONTACT
⊠	INDICATES TERMINAL STRIP

DIAGRAM SUPPLEMENT FOR SCHEMATIC 98-62278
HEAT / COOL, R134A, P/M COND, P/M EVAP

CODE NO.	CAD SYSTEM: AutoCAD	UNITED TECHNOLOGIES CARRIER TRANSCOLD Carrier Transicold Division Carrier A/C Industries 715 Willow Springs Lane York, Pennsylvania 17402
UNLESS OTHERWISE SPECIFIED ALL DIMENSIONS SHOWN ARE INCHES, WITH METRIC CONVERSIONS IN [MILLIMETERS]. UNLESS OTHERWISE SPECIFIED TOLERANCES ON: .00 DEC .000 DEC DEC ANG ± .04 ± .020 ± ± 2' [.0] DEC [.00] DEC DEC ±[1.0] ±[.50] ± []		
SURFACES ✓ AA	HOLE DIA. ±.005 ±[.13]	HOLE SPACING ±.015 ±[.38]
AUTH NO. 68N438GN01 ENGINEERING MANUFACTURING PACKAGING ELEC ENGR RELIAB ENGR DR TDL DATE 9/20/00		
DIMENSIONS IN (PARENTHESIS) ARE REFERENCE APPLIED FINISH WEIGHT MFG/PURCH MFG		TITLE SCHEMATIC EM-17 W/HEAT SIZE D DRAWING NO. 98-62278 REV A SHEET 2 OF 2
NEXT DRAWING NONE SCALE FULL		PRINT DISTRIBUTION ACI

A	INITIAL RELEASE	2/6/01	TDL		68N438GN01
SYM	REVISION RECORD	DATE	BY	CHK'D	APP'D
	SUPERSEDES				SIMILAR TO NONE