

Bill of Materials Listing

TransArctic Canada Inc.

6/5/2012
Page 1 of 1

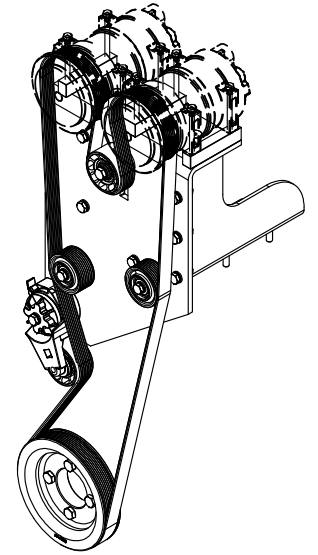
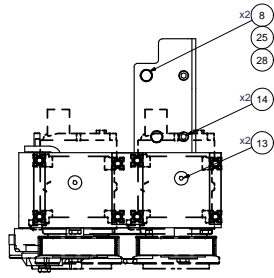
Product Number	Description	Date	Weight	Uof M	Yield
Line Component Prod#	Description	Bin Unit	Qty		
KMC92660	Mt Kit, ISL-G 8.9L, A3RE, 2 TM-21, '09		02/10/09	82.82	0
10	BEL82794		Belt, 8gr, 2794mm (110") (5081100)	each	1
20	BMC83031		Bkt, Slide, Block, Idler, BBRE	each	1
30	BMC83035		Bkt, D/S, Weldmt, ISL-G, A3RE, '09	each	1
40	BMC83037		Bkt, P/S, Weldmt, ISL-G, A3RE, '09	each	1
50	BMC83039		Bkt, Main, Weldmt, ISL-G, A3RE, '09	each	1
60	PUL80076		Pulley, Idler, Backside, P8, 76d (89101)	each	1
70	PUL81074		Pulley, Idler, Frontside, P8,74d (89103)	each	2
80	PUL89008		Pulley, Crank, ISL-G, 8.9L, P8, 8" dia	each	1
90	SCD19212		Spacer, Step, Drl,19.2mm x 50.8o x 12.3i	each	1
100	SLV17010		Sleeve, Pulley, 16.9o x 22.23mm x 10.32i	each	2
110	SLV17012		Sleeve, Pulley, 16.9o x 22.23mm x 12.32i	each	1
120	SPC19010		Spacer, Col, Drl, 19mm x 28.58o x 10.32i	each	2
130	TEN80002		Tenr, HD Spring, BackSide, CCW (89200A)	each	1
140	KBC92660		Bag Kit, Fasteners, KMC92660	each	1

Bill of Materials Listing

TransArctic Canada Inc.

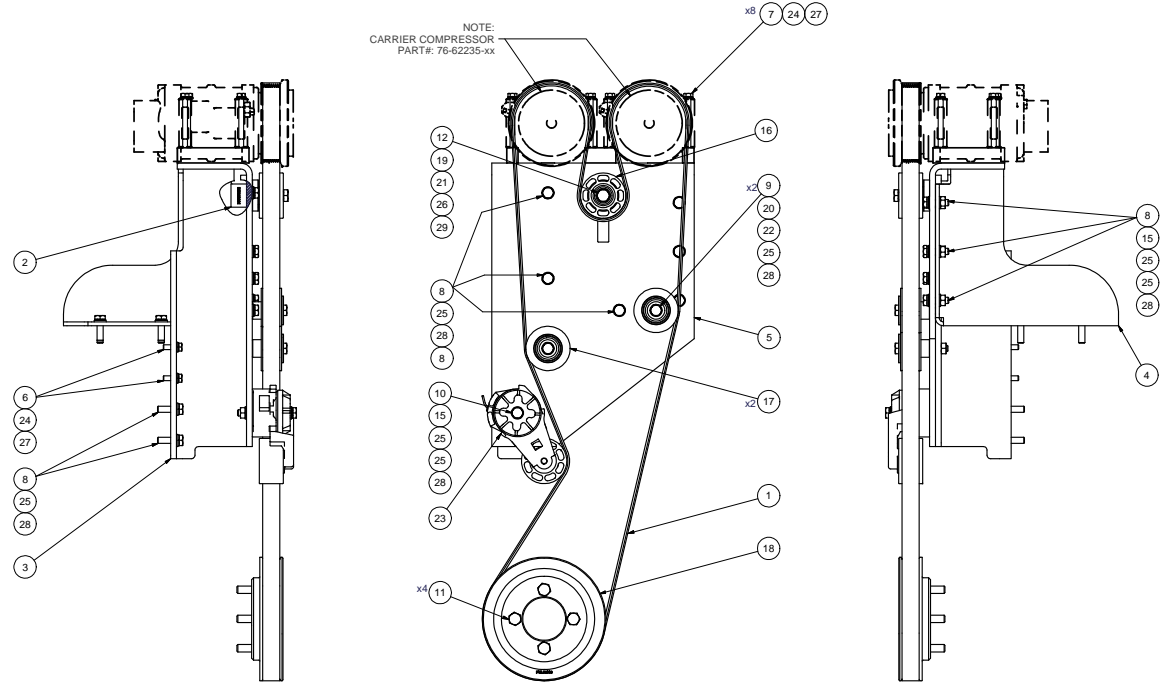
6/5/2012
Page 1 of 1

Product Number	Description	Date	Weight	Uof M	Yield
Line Component Prod#	Description	Bin Unit	Qty		
KBC92660	Bag Kit, Fasteners, KMC92660	02/10/09	3.08		0
10 BTC08025	Bolt, Hex, 8 x 1.25 x 25mm, 10.9, Plt	each	2		
20 BTC08100	Bolt, Hex, 8 x 1.25 x 100mm, 10.9, Plt	each	8		
30 BTC10035	Bolt, Hex, 10 x 1.5 x 35mm, 10.9, Plt,FT	each	10		
40 BTC10080	Bolt, Hex, 10 x 1.5 x 80mm, 10.9, Plt,FT	each	2		
50 BTC10090	Bolt, Hex, 10 x 1.5 x 90mm, 10.9, Plt	each	1		
60 BTC12050	Bolt, Hex, 12 x 1.75 x 50mm, 10.9,Plt	each	4		
70 BTC12080	Bolt, Hex, 12 x 1.75 x 80mm, 10.9,Plt,FT	each	1		
80 CSF10031	Capscrew, FH, 10 x 1.5 x 30mm, 10.9,Plt	each	2		
90 CSS10035	Capscrew, SH, 10 x 1.5 x 35mm, 12.9,Plt	each	2		
100 NTA10000	Nut, Hex, 10 x 1.5, 8.8, Plt	each	4		
110 WFA08000	Washer, Flat, 8mm, 8.8, Plt	each	10		
120 WFA10000	Washer, Flat, 10mm, 8.8, Plt	each	17		
130 WFA12000	Washer, Flat, 12mm, 8.8, Plt	each	1		
140 WLA08000	Washer, Lock, 8mm, 8.8, Plt	each	10		
150 WLA10000	Washer, Lock, 10mm, 8.8, Plt	each	13		
160 WLA12000	Washer, Lock, 12mm, 8.8, Plt	each	1		



ISOMETRIC VIEW

NOTE:
CARRIER COMPRESSOR
PART#: 76-62235-xx



ITEM	QTY	U/M	PART NUMBER	DESCRIPTION
29	1	EACH	WLA12000	WASHER, LOCK, 12mm, 8.8, PLT
28	13	EACH	WLA10000	WASHER, LOCK, 10mm, 8.8, PLT
27	10	EACH	WLA80000	WASHER, LOCK, 8mm, 8.8, PLT
26	1	EACH	WFA12000	WASHER, FLAT, 12mm, 8.8, PLT
25	17	EACH	WFA10000	WASHER, FLAT, 10mm, 8.8, PLT
24	10	EACH	WFA80000	WASHER, FLAT, 8mm, 8.8, PLT
23	1	EACH	TEN80002	TENR, HD SPRING, BACKSIDE, CCW
22	2	EACH	SPC19010	SPACER, COL, DRL, 19.05mm x25.40 x10.571
21	1	EACH	SLV17012	SLEEVE, PULLEY, 16.90 x 22.23 mm x12.191
20	2	EACH	SLV17010	SLEEVE, PULLEY, 16.90 x 22.23mm x 10.321
19	1	EACH	SCD19212	SPACER, COL DRL, 32.8mm x 50.80 x 12.31
18	1	EACH	PUL89008	PULLEY, CRANK, ISL-G, 8.9L, P8, 8" DIA
17	2	EACH	PUL81074	PULLEY, IDLER, FRONTSIDE, P8, 74d x 39w
16	1	EACH	PUL80076	PULLEY, IDLER, BACKSIDE, P8, 76D, 39W
15	4	EACH	NTA10000	NUT, HEX, 10 x 1.5, 8.8, PLT
14	2	EACH	CSS10035	CAPSCREW, SH, 10 x 1.25 x 35mm, 12.9, PLT
13	2	EACH	CSF10031	CAPSCREW, FH, 10 x 1.5 x 30mm, 10.9, PLT
12	1	EACH	BTC12080	BOLT, HEX, 12 x 1.75 x 80mm, 10.9, PLT, FT
11	4	EACH	BTC12050	BOLT, HEX, 12 x 1.75 x 50mm, 10.9, PLT
10	1	EACH	BTC10090	BOLT, HEX, 10 x 1.5 x 90mm, 10.9, PLT
9	2	EACH	BTC10080	BOLT, HEX, 10 x 1.5 x 80mm, 10.9, PLT, FT
8	10	EACH	BTC10035	BOLT, HEX, 10 x 1.5 x 35mm, 10.9, PLT
7	8	EACH	BTC08100	BOLT, HEX, 8 x 1.25 x 100mm, 10.9, PLT
6	2	EACH	BTC08025	BOLT, HEX, 8 x 1.25 x 25mm, 10.9, PLT
5	1	EACH	BMC83039	BKT, MAIN, WELDMT, ISL-G, A3RE, '09
4	1	EACH	BMC83037	BKT, P/S, WELDMT, ISL-G, A3RE, '09
3	1	EACH	BMC83035	BKT, D/S, WELDMT, ISL-G, A3RE, '09
2	1	EACH	BMC83031	BKT, SLIDE, BLOCK, IDLER, BRRE
1	1	EACH	BEL2794	Belt, 8gr, 2794mm (110") (5081100)

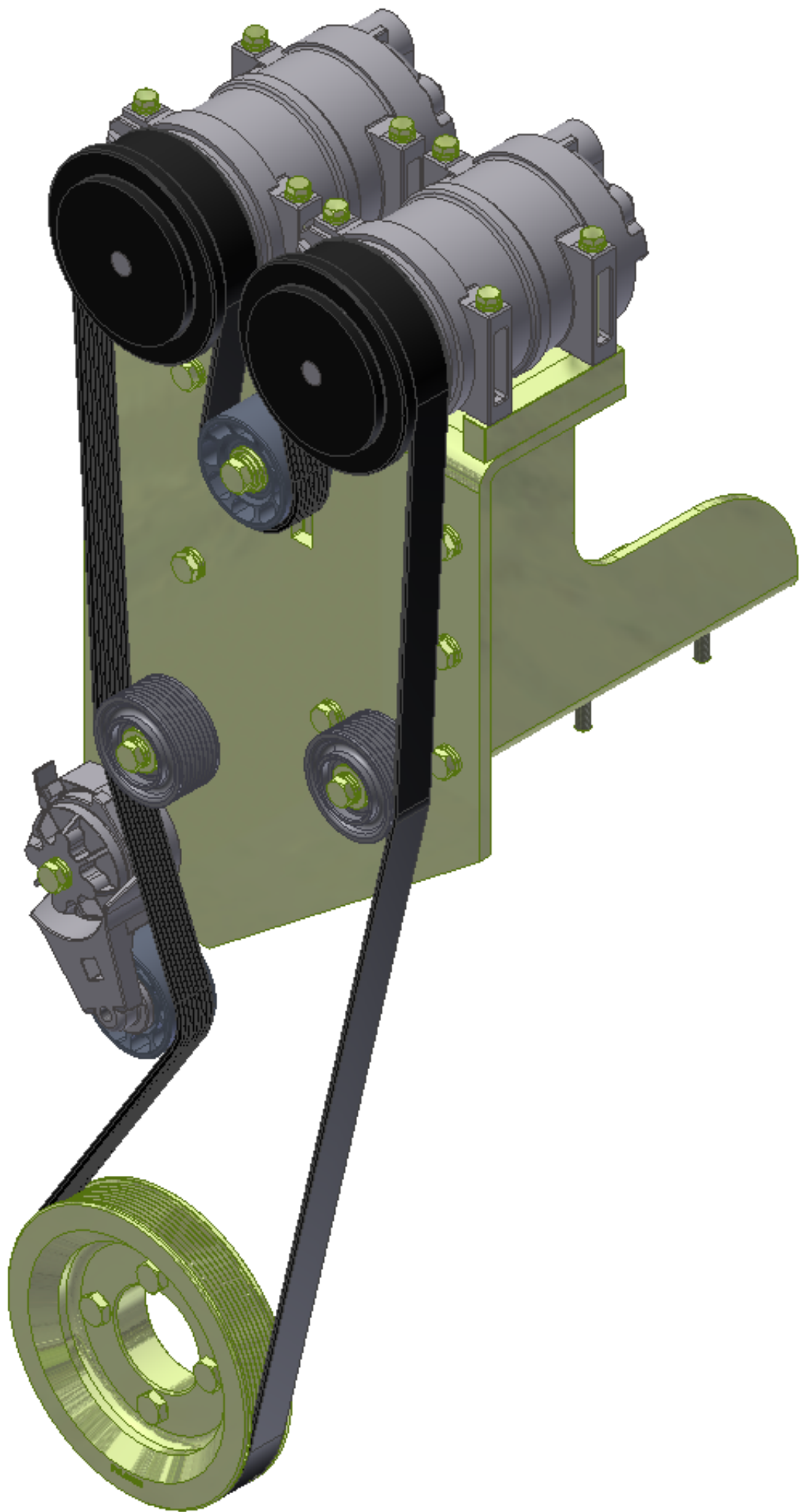
BILL OF MATERIALS
DRAWN: Jose Rodriguez 02/10/09
CHECKED: Val Jakovlew 02/10/09
TITLE: **TRANSARTIC INC.**

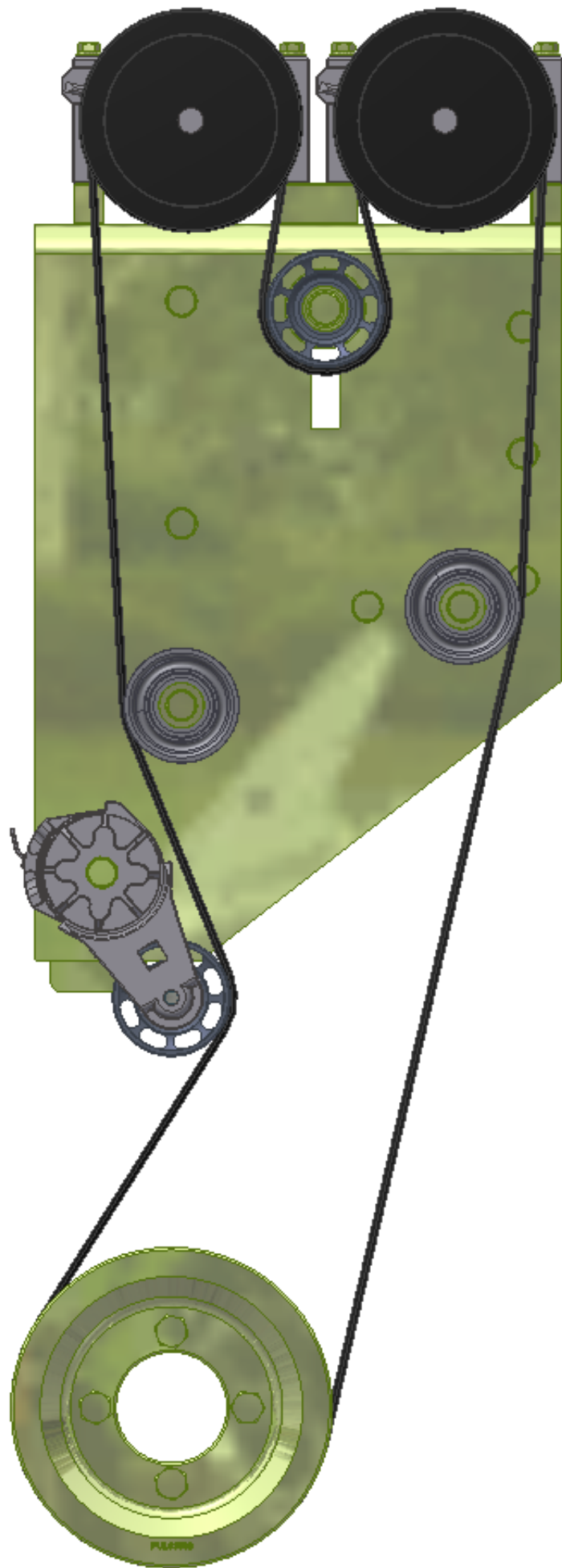
1	BMC83035 REVISED	2/5/2012	VAL	Val Jakovlew	02/10/09
0	RELEASED TO PRODUCTION	2/10/2009	JRR	GA	
REV	DESCRIPTION	DATE	BY	DATE	
			JRR	2/10/2009	
			RMS		
			Ron Ingram	02/10/09	
			Dale Mason	02/10/09	

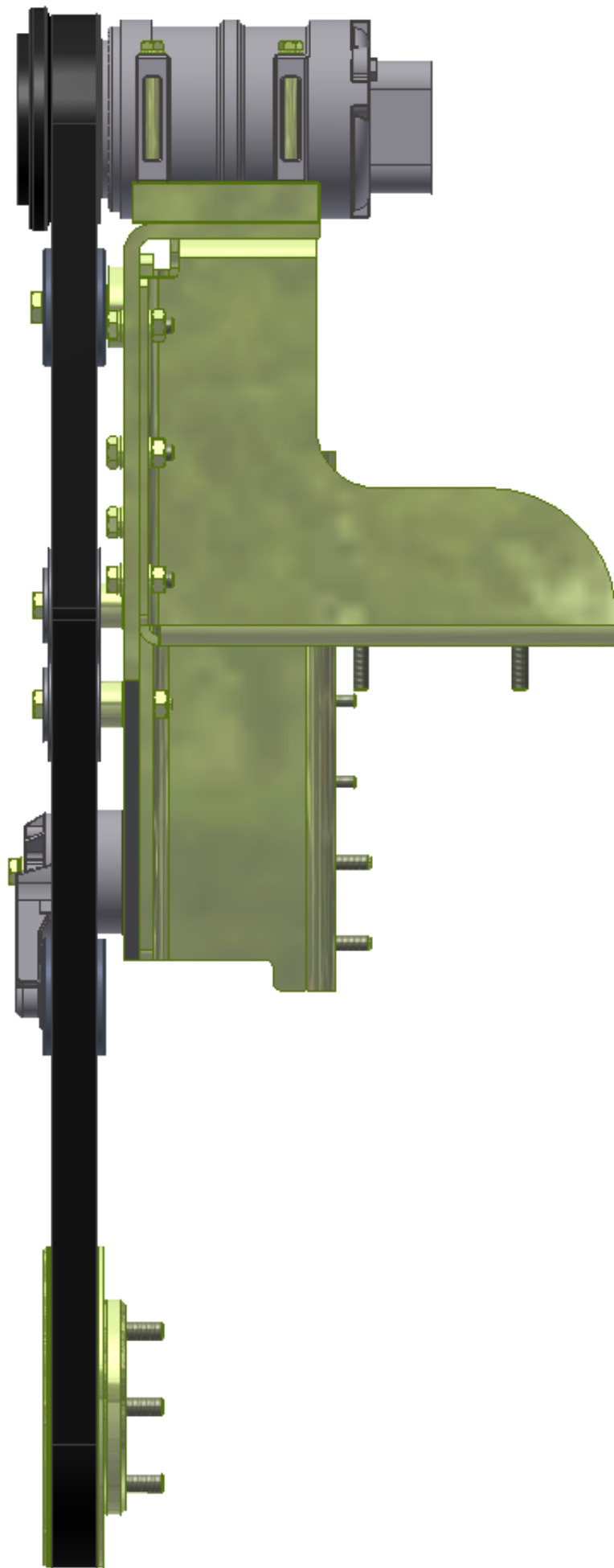
NOTES:
1) USE SERVICABLE THREADLOCKER ON ALL FASTENERS TO ENGINE COMPONENTS AND TORQUE ALL BOLTS TO S.A.E. SPECIFICATIONS.
2) SEE "TRANSARTIC A/C COMPRESSOR MOUNT INSTALLATION DISCLAIMER".

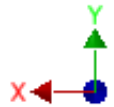
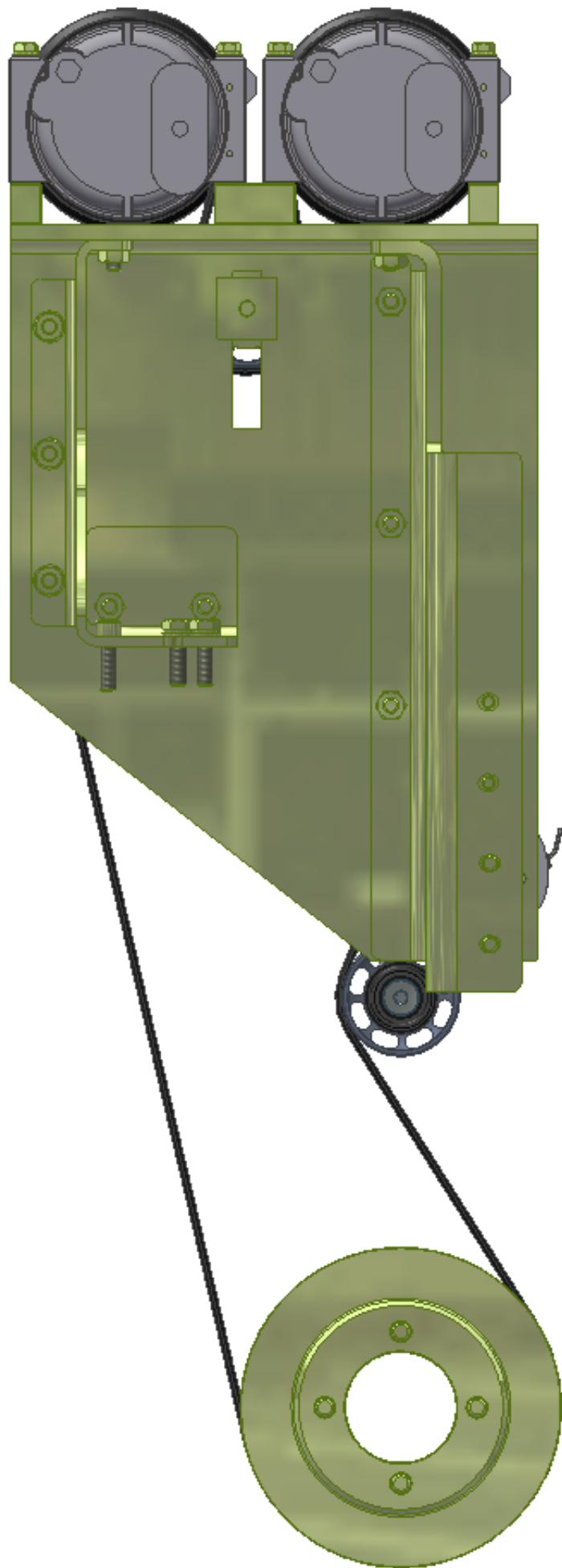
DESCRIPTION		SIZE	DWG NO	REV
MT KIT, 8.9L ISL-G, A3RE, 2 TM-21, '09		D	KMC92660	1
SCALE	1:4	SHEET 1 OF 1		

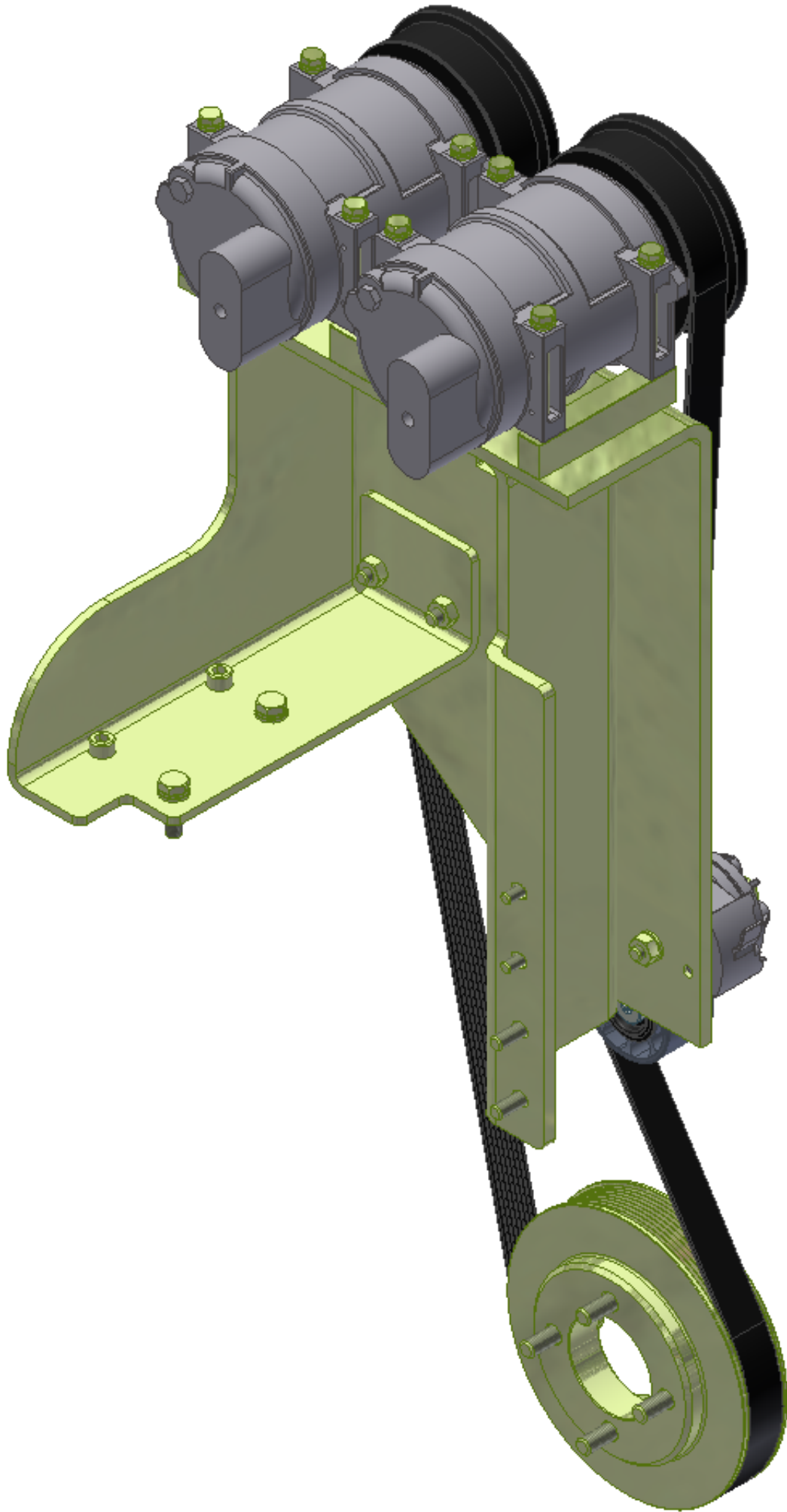
UNSPECIFIED TOLERANCES: ALL DIMS
ONE DECIMAL PLACE (X.0) 0.10 (10%)
TWO DECIMAL PLACE (X.00) 0.05 (5%)
THREE DECIMAL PLACE (X.000) 0.025 (2.5%)
FRACTIONAL (X.125) 1/32 (3%)
ANGULAR ± .25°
THIRD ANGLE PROJECTION
DRAWING UNIT OF MEASURE: MM (INCH)











TransArctic A/C Compressor Mount Installation Disclaimer

All compressor mounts should be installed by qualified and trained personnel using proper tools and equipment in safe working conditions following industry standard guidelines for motor vehicle service and repair.

The installer of any compressor mount purchased from TransArctic must undertake all responsibility of issues arising from that compressor bracket being installed on any vehicle. As well as insure that a **proper and sufficient ground** is established between the compressors' clutches and the vehicle's engine. Mount functionality, operation and durability can all be compromised by an incompetent installation.

Due to the many different situations, parameters and application criteria, which are beyond the compressor mount manufacturer's control, TransArctic does not warrant design, durability, or operational functionality of any compressor mount improperly installed by another party.

With no implied guarantees it is the mount installer's strict responsibility to determine safety and functionality, of the compressor mount, at the time of installation.

Please contact TransArctic with any issue arising from installation so we may better improve the product. If you have any reservations about the compressor mount integrity contact TransArctic immediately at 1-877-COLD-AIR.

Mark OEM tensioner location

Install Kit

Check for Interferences

Check to ensure that the proper OEM tensioner orientation is maintained

Run engine with A/C system engaged for at least 10 minutes to run in belt

Check OEM tensioner orientation and adjust as required

Responsabilidad limitada de TransArctic en la instalación del soporte del compresor

Todos los soportes de los compresores deben ser instalados por personas calificadas y entrenadas, usando para ello los equipos y herramientas necesarios para esta labor en buenas condiciones y según las normas y guías para el servicio y/o reparación de motores de vehículos.

El instalador de los soportes comprados en TransArctic asume toda la responsabilidad de cualquier problema que surga en el soporte del compresor al vehículo; de igual manera es responsable que el cable a tierra sea conectado entre el embrague del compresor y el motor del vehículo.

Se advierte que el buen funcionamiento y la durabilidad del soporte pueden ser comprometidos por defectos en su instalación.

Debido a las diversas situaciones que se puedan presentar fuera del control del fabricante, TransArctic no garantiza el diseño, la durabilidad o el correcto funcionamiento de cualquier equipo inapropiadamente instalado por terceros.

Esta sobreentendido que el Instalador del montaje del compresor es estrictamente responsable de la seguridad y funcionamiento del equipo en el momento de la instalación.

Si tuviera algún problema o duda acerca de la instalación del soporte del compresor pongase en contacto inmediatamente con TransArctic al teléfono 1-877-COLD-AIR de modo que podamos mejorar nuestro producto.

Note la ubicación del medidor de tensión OEM

Instale el equipo

Controlar si hay interferencias.

Asegurese que el medidor de tensión mantenga la orientación justa.

Encienda el motor por lo menos 10 minutos con el sistema A/C enganchado para que la correa corra

Controle la orientación justa del medidor de tensión y ajuste a las condiciones requeridas del fabricante