

Bill of Materials Listing

TransArctic Canada Inc.

2/1/2011

Page 1 of 1

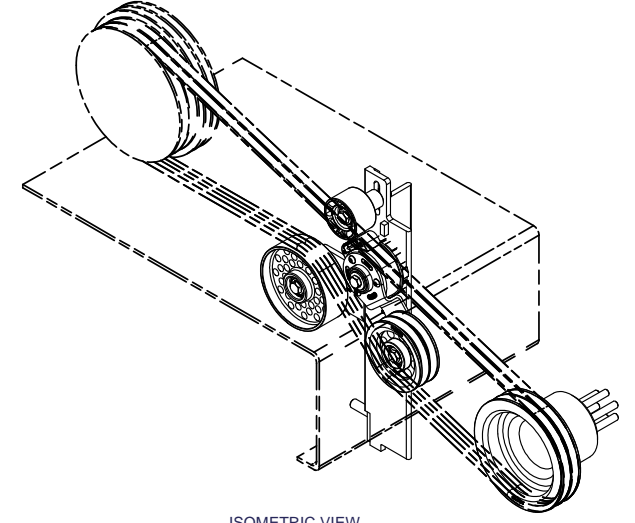
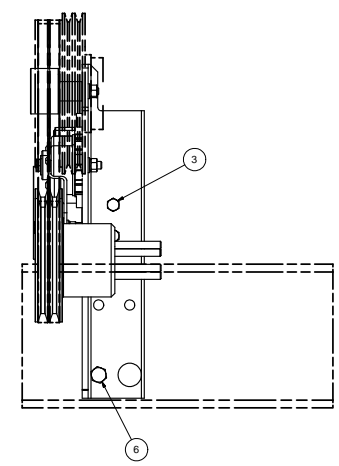
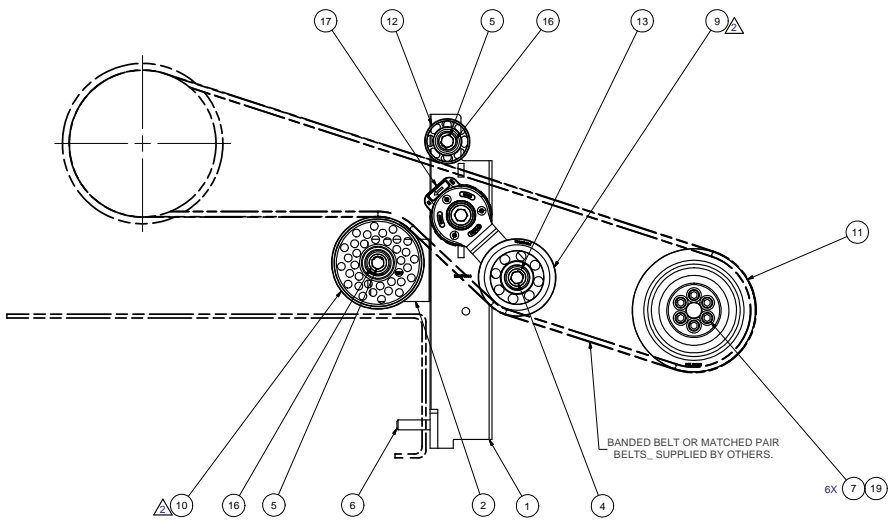
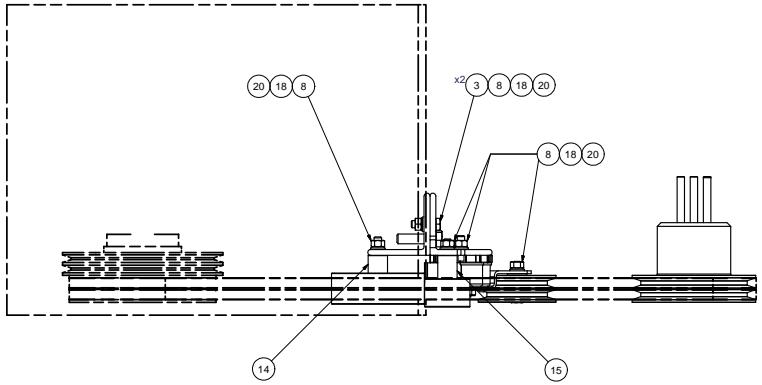
Product Number		Description	Bin	Date	Weight	Uof M	Yield
Line	Component Prod#	Description		Unit	Qty		
KMC64192		Mt Kit, ISB, HDX ER, O5G,2B/8"Cr,'07-'10		11/6/2007	53.59		0
10	BMK70044	Bkt, Angle, Vert, Weldmt, HDX, C7		each	1		
20	BMK70049	Bkt, Angle, HOR, HDX, C7		each	1		
30	PUL67022	Pulley, Crank, ADD-ON, Cum,ISB,6.7L,2B/X		each	1		
40	PUA06001	Pulley, Assy, Idler, B/S, 6", Stl, Plt		each	1		
50	PUA05012	Pulley, Assy, Idler,B/BX gr,5", STL,Plt		each	1		
60	PUL80074	Pulley, Idler, B/S, Wide, 76d (89102)		each	1		
70	TEN00003	Tenr, Spring, Un-Direct, 90d, 1/2 x 4.5"		each	1		
80	SLV17012	Sleeve, Pulley, 16.9o x 22.23mm x 12.32i		each	3		
90	SCD12912	Spacer, Col, Drl,12.9 mm x 31.8o x 12.0i		each	1		
100	SCD42512	Spacer, Col, Drl, 42.5mm x 31.8o x 12.0i		each	1		
110	SCD46012	Spacer, Col, Drl, 46mm x 31.8o x 12.0i		each	1		
120	KBC64192	Bag Kit, Fasteners, KMC64192/90		each	1		

Bill of Materials Listing

TransArctic Canada Inc.

4/3/2008
Page 1 of 1

Product Number	Description	Date	Weight	Uof M	Yield
Line Component Prod#	Description	Bin Unit	Qty		
KBC64192	Bag Kit, Fasteners, KMC64192/90	05/12/05	2.82		0
10	BTC12060				
	Bolt, Hex, 12 x 1.75 x 60mm, 10.9, Plt	each	1		
20	BTC12100				
	Bolt, Hex, 12 x 1.75 x 100mm, 10.9, Plt	each	3		
30	BTC12040				
	Bolt, Hex, 12 x 1.75 x 40mm, 10.9, Plt	each	2		
35	CSS12090				
	Capscrew, SH, 12 x 1.25 x 90mm, 12.9,BLK	each	6		
40	BTQ10250				
	Bolt, Hex, 5/8-11unc, 2.5", 8. PLT	each	1		
50	NTA12000				
	Nut, Hex, 12 x 1.75, 8.8, Plt	each	6		
60	WFA12000				
	Washer, Flat, 12mm, 8.8, Plt	each	6		
65	WFS12002				
	Washer, Flat, Hdn, 12mm, Stl, BLK	each	6		
70	WLA12000				
	Washer, Lock, 12mm, 8.8, Plt	each	6		



ISOMETRIC VIEW

- NOTES:**
 1) USE SERVICABLE THREADLOCKER ON ALL FASTENERS TO ENGINE COMPONENTS AND TORQUE ALL BOLTS TO S.A.E. SPECIFICATIONS.
 2) SEE "TRANSARGTIC A/C COMPRESSOR MOUNT INSTALLATION DISCLAIMER".

ITEM	QTY	UM	PART NUMBER	DESCRIPTION
20	6	EACH	WLA12000	WASHER, LOCK, 12mm, 8.8, PLT
19	6	EACH	WFS12002	WASHER, FLAT, HDN, 12mm, STL, BLK
18	6	EACH	WFA12000	WASHER, FLAT, 12mm, 8.8, PLT
17	1	EACH	TENR00003	TENR, SPRING, UN-DIRECT, 90d, 1/2 x 4.5"
16	3	EACH	SLV17012	SLEEVE, PULLEY, 16.9o x 22.23 mm x 12.19i
15	1	EACH	SCD46012	SPACER, COL, DRL, 46mm x 31.8o x 12.0i
14	1	EACH	SCD42512	SPACER, COL, DRL, 42.5mm x 31.8o x 12.0i
13	1	EACH	SCD12912	SPACER, COL, DRL, 12.9 mm x 31.8o x 12.0i
12	1	EACH	PUL80074	PULLEY, IDLER, BACKSIDE, P8, 74D, 46.27W
11	1	EACH	PUL67022	PULLEY, CRANK, ADD-ON, CUM, ISB, 6.7L, 2B/X
10	1	EACH	PLA06001	PULLEY, ASSY, IDLER, B/S, 6", STL, PLT
9	1	EACH	PLA05012	PULLEY, ASSY, IDLER, B/BX, 6", STL, PLT
8	6	EACH	NTA12000	NUT, HEX, 12 x 1.75, 8.8, PLT
7	6	EACH	CSS12090	CAPSCREW, SH, 12 x 1.25 x 90mm, 12.9, PLT
6	1	EACH	BTQ10250	BOLT, HEX, 5/8-11UNC, 2.50", 8, PLT
5	3	EACH	BTC12100	BOLT, HEX, 12 x 1.75 x 100mm, 10.9, PLT
4	1	EACH	BTC12060	BOLT, HEX, 12 x 1.75 x 60mm, 10.9, PLT
3	2	EACH	BTC12040	BOLT, HEX, 12 x 1.75 x 40mm, 10.9, PLT
2	1	EACH	BMK70049	BKT, ANGLE, HOR, HDX, C7
1	1	EACH	BMK70044	BKT, ANGLE, VERT, WELDMT, HDX, C7

Bills of Material
TRANSARGTIC INC.

2	WAS	PLA06001	PLA06002	1/24/2011	BRN
1	ADDED	WFS12002		04/03/08	VALJ
0	RELEASED TO PRODUCTION			01/11/08	VALJ
REV	ECN	DESCRIPTION	DATE	BY	
				James Stewart	1/11/2008
				Val Jakovlew	1/11/2008
				Dale Mason	1/11/2008

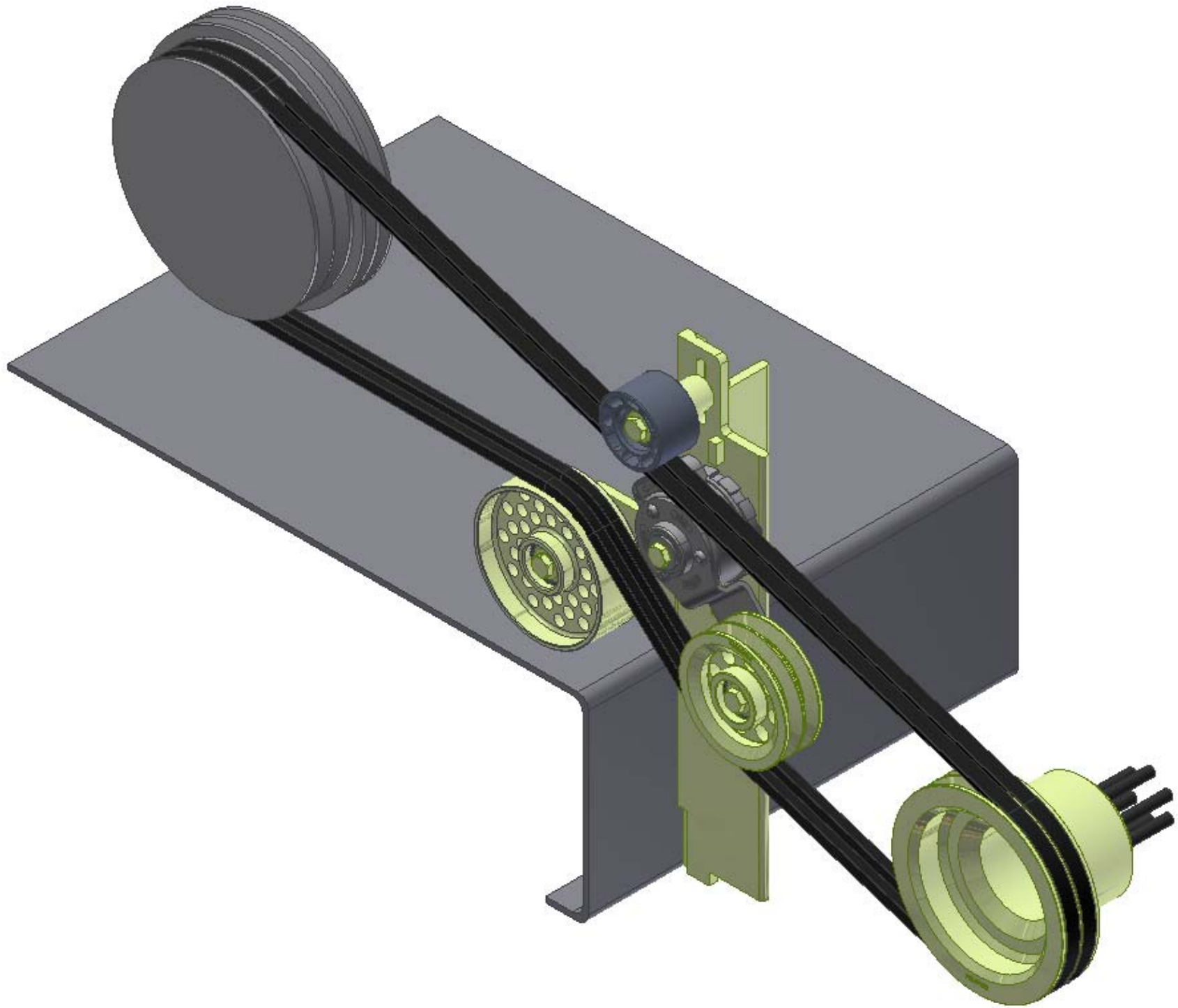
THIS DRAWING CONTAINS PROPRIETARY CONFIDENTIAL INFORMATION OWNED BY TRANSARGTIC CANADA INC. THE DOCUMENT AND THE INFORMATION IN IT ARE NOT TO BE USED, DISCLOSED OR REPRODUCED WITHOUT EXPRESS WRITTEN PERMISSION OF THE COMPANY.

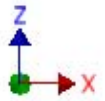
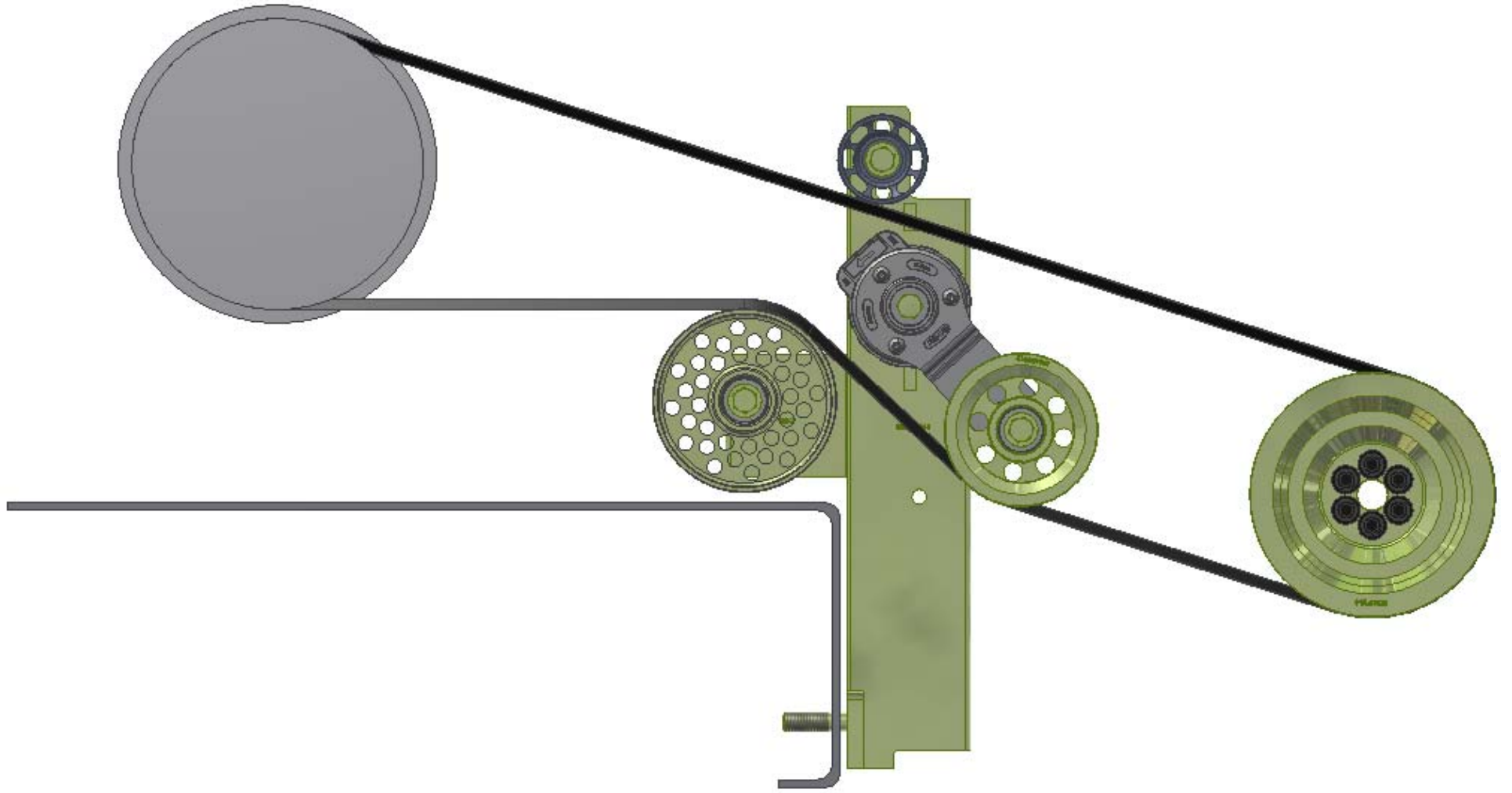
UNSPECIFIED TOLERANCES:
 DIM DECIMAL PLACE (X) .005 MM
 DIM FRACTIONAL PLACE (X) .005
 DIM FRACTIONAL PLACE (X) .005
 DIM FRACTIONAL PLACE (X) .005

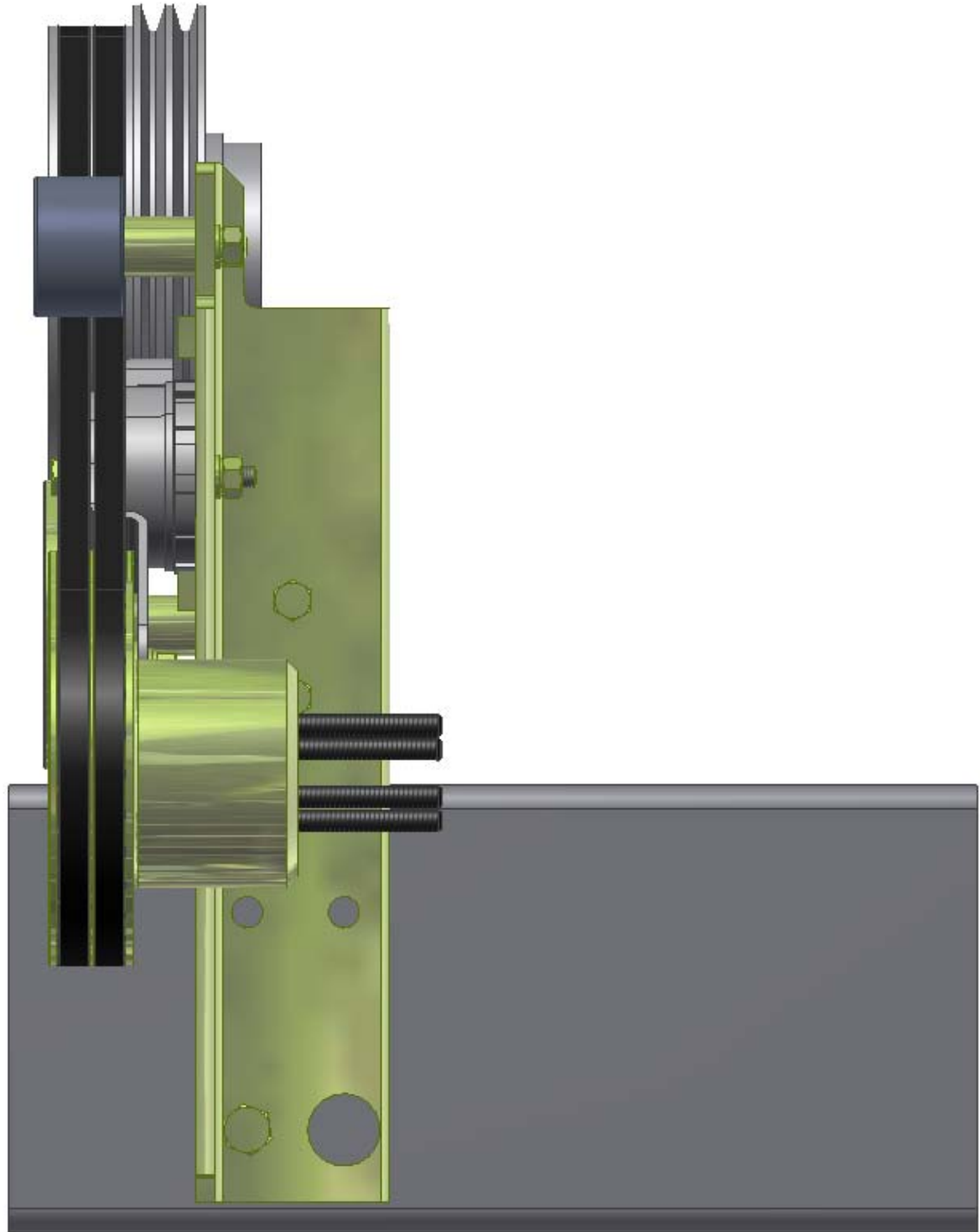
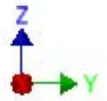
DRAWN	vjakovlew	1/11/2008	
CHECKED	Ron Ingram	1/11/2008	
APPROVED	Val Jakovlew	1/11/2008	
DATE	Dale Mason	1/11/2008	
TITLE	MT KIT, ISB, HDX ER, O5G, 2B, 8" CRANK		
SIZE	DWG NO	REV	
D	KMC641192	2	
SCALE	1:1	SHEET	1 OF 1

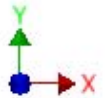
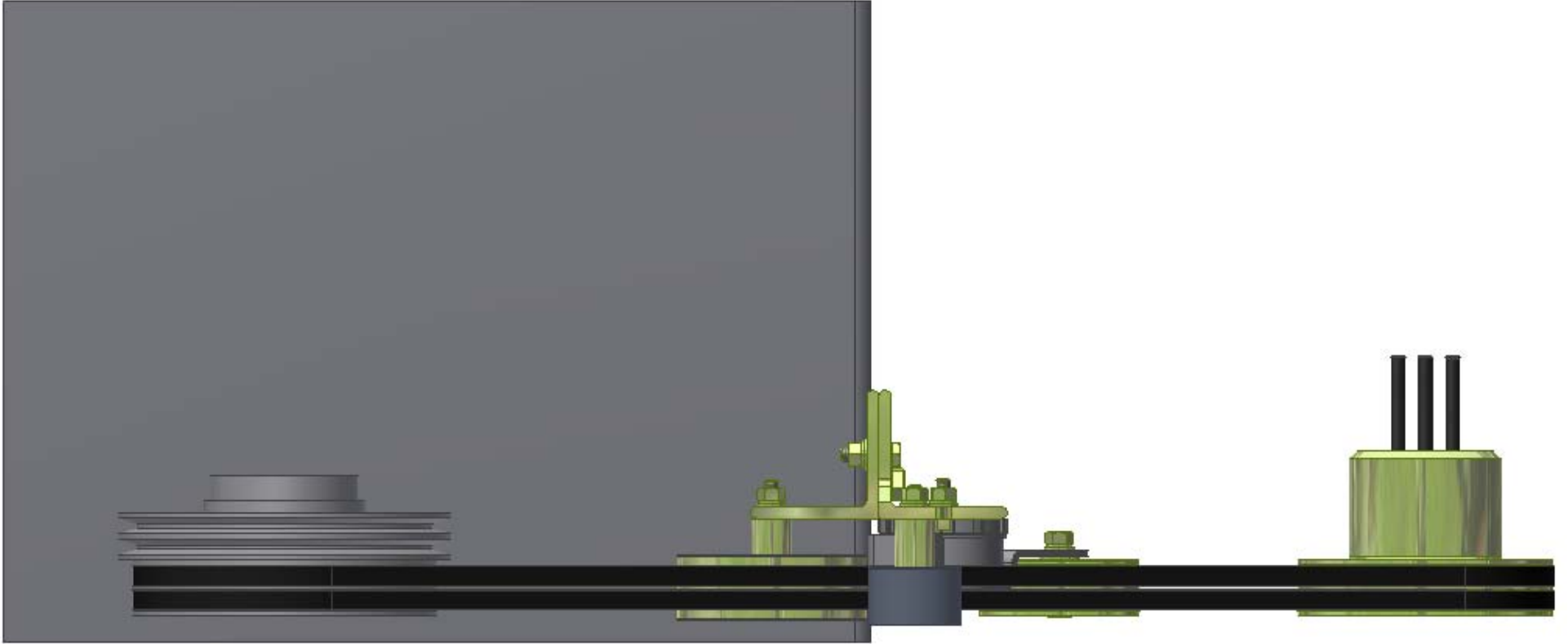


DRAWING UNIT OF MEASURE: MM [INCH]









TransArctic A/C Compressor Mount Installation Disclaimer

All compressor mounts should be installed by qualified and trained personnel using proper tools and equipment in safe working conditions following industry standard guidelines for motor vehicle service and repair.

The installer of any compressor mount purchased from TransArctic must undertake all responsibility of issues arising from that compressor bracket being installed on any vehicle. As well as insure that a **proper and sufficient ground** is established between the compressors' clutches and the vehicle's engine. Mount functionality, operation and durability can all be compromised by an incompetent installation.

Due to the many different situations, parameters and application criteria, which are beyond the compressor mount manufacturer's control, TransArctic does not warrant design, durability, or operational functionality of any compressor mount improperly installed by another party.

With no implied guarantees it is the mount installer's strict responsibility to determine safety and functionality, of the compressor mount, at the time of installation.

Please contact TransArctic with any issue arising from installation so we may better improve the product. If you have any reservations about the compressor mount integrity contact TransArctic immediately at 1-877-COLD-AIR.

Mark OEM tensioner location

Install Kit

Check for Interferences

Check to ensure that the proper OEM tensioner orientation is maintained

Run engine with A/C system engaged for at least 10 minutes to run in belt

Check OEM tensioner orientation and adjust as required

Responsabilidad limitada de TransArctic en la instalación del soporte del compresor

Todos los soportes de los compresores deben ser instalados por personas calificadas y entrenadas, usando para ello los equipos y herramientas necesarios para esta labor en buenas condiciones y según las normas y guías para el servicio y/o reparación de motores de vehículos.

El instalador de los soportes comprados en TransArctic asume toda la responsabilidad de cualquier problema que surga en el soporte del compresor al vehículo; de igual manera es responsable que el cable a tierra sea conectado entre el embrague del compresor y el motor del vehículo.

Se advierte que el buen funcionamiento y la durabilidad del soporte pueden ser comprometidos por defectos en su instalación.

Debido a las diversas situaciones que se puedan presentar fuera del control del fabricante, TransArctic no garantiza el diseño, la durabilidad o el correcto funcionamiento de cualquier equipo inapropiadamente instalado por terceros.

Esta sobreentendido que el Instalador del montaje del compresor es estrictamente responsable de la seguridad y funcionamiento del equipo en el momento de la instalación.

Si tuviera algún problema o duda acerca de la instalación del soporte del compresor pongase en contacto inmediatamente con TransArctic al teléfono 1-877-COLD-AIR de modo que podamos mejorar nuestro producto.

Note la ubicación del medidor de tensión OEM

Instale el equipo

Controlar si hay interferencias.

Asegurese que el medidor de tensión mantenga la orientación justa.

Encienda el motor por lo menos 10 minutos con el sistema A/C enganchado para que la correa corra

Controle la orientación justa del medidor de tensión y ajuste a las condiciones requeridas del fabricante