

Bill of Materials Listing

TransArctic Canada Inc.

11/10/2016
Page 1 of 1

Product Number	Description	Date	Weight	Uof M	Yield
Line Component Prod#	Description	Bin Unit	Qty		
KMC92494	Mt Kit, ISL-D 2013, HDX, O5K, 12V, '13		8/26/2013	146.89	0
10 BEL32464	Belt, Banded B gr, 2464mm (97")(Special)	each	2		
20 BMC83123	Bkt, Main, Idler, Weldm't, ISL, HDX, '13	each	1		
30 BMC83125	Bkt, Weldm't, Adapter PI, ISL, HDX, '13	each	1		
40 BMC83129	Bkt, Weldm't, Main Base, ISL, HDX, '13	each	1		
50 KCB92494	Kit, Compressor, 12V,O5K, ISL, '13	each	1		
60 KPC89022	Kit, Pulley, ISL, 8.9L, 2B/X,'13	each	1		
70 PUA05012	Pulley, Assy, Idler,B/BX gr,5", STL,Plt	each	1		
80 PUL80074	Pulley, Idler, B/S, Wide, 76d (89102)	each	1		
90 SCD21912	Spacer, Col, Drl,21.9mm x 25.4o x 12.3i	each	1		
95 SCD25412	Spacer, Col, Drl,25.4mm x 25.4o x 12.3i	each	1		
100 SLV17012	Sleeve, Pulley, 16.9o x 22.23mm x 12.32i	each	2		
110 KBC84094	Bag Kit,Fasteners,KMC840/39/4194-9/62494	each	1		

Bill of Materials Listing

TransArctic Canada Inc.

7/4/2014
Page 1 of 1

Product Number		Description	Bin	Date	Weight	Uof M	Yield
Line	Component Prod#	Description		Unit	Qty		
KBC84094		Bag Kit, Fasteners, KMC840/39/4194		9/11/2013	2.12		0
10	BTC10035	Bolt, Hex, 10 x 1.5 x 35mm, 10.9, Plt,FT		each	3		
30	BTC12080	Bolt, Hex, 12 x 1.75 x 80mm, 10.9,Plt,FT		each	2		
40	BTQ06125	Bolt, Hex, 3/8-16unc, 1.25", 8, Plt		each	5		
50	BTQ08125	Bolt, Hex, 1/2-13unc, 1.25", 8, Plt		each	2		
60	BTQ08151	Bolt, Hex, 1/2-20unf, 1.5", 8, Plt		each	2		
70	CSF08101	Capscrew, FH, 1/2-20unf x 1.0",Alloy,Plt		each	4		
80	NTA10000	Nut, Hex, 10 x 1.5, 8.8, Plt		each	3		
90	NTA12000	Nut, Hex, 12 x 1.75, 8.8, Plt		each	2		
100	NTQ06000	Nut, Hex, 3/8-16unc, 8, Plt		each	5		
110	WFA10000	Washer, Flat, 10mm, 8.8, Plt		each	6		
120	WFA12000	Washer, Flat, 12mm, 8.8, Plt		each	2		
130	WFS06002	Washer, Flat, 3/8", L9, Plt		each	10		
140	WFQ08000	Washer, Flat, 1/2", 8, Plt		each	4		
150	WLA10000	Washer, Lock, 10mm, 8.8, Plt		each	3		
160	WLA12000	Washer, Lock, 12mm, 8.8, Plt		each	2		
170	WLQ06000	Washer, Lock, 3/8", 8, Plt		each	5		
180	WLQ08000	Washer, Lock, 1/2", 8, Plt		each	4		

Bill of Materials Listing

TransArctic Canada Inc.

1/13/2015
Page 1 of 1

Product Number	Description	Date	Weight	Uof M	Yield
Line Component Prod#	Description	Bin Unit	Qty		
KCB92494	Kit, Compressor, 12V,O5K, ISL, '13		8/27/2013	53.44	0
10	BMN80008		Vibration Isolator, Bar,16.50 x 2 x 1.50	each	2
20	BMN80025		Bkt, Back, PL, Slide, IC, RE300	each	1
30	BMZ00043		Bkt, Main, Base Pl, '13	each	1
40	KKT82461		Kit, Platform, O5K, '07	each	1
50	KBZ84194		Bag Kit, Fasteners, KCB84194/92494	each	1

Bill of Materials Listing

TransArctic Canada Inc.

1/13/2015
Page 1 of 1

Product Number	Description	Date	Weight	Uof M	Yield
Line Component Prod#	Description	Bin Unit	Qty		
KBZ84194	Bag Kit, Fasteners, KCB84194/92494		10/18/2013	1.06	0
10	BTP08653		Bolt, Hex, 1/2-13unc, 6.5", 5, Plt, FT	each	1
20	BTQ08101		Bolt, Hex, 1/2-20unf, 1.00", 8, Plt	each	4
30	CSF08076		Capscrew, FH, 1/2-20unf x .75",Alloy,Plt	each	2
40	WFQ08000		Washer, Flat, 1/2", 8, Plt	each	4
50	WLQ08000		Washer, Lock, 1/2", 8, Plt	each	5

Bill of Materials Listing

TransArctic Canada Inc.

1/13/2015
Page 1 of 1

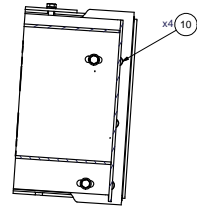
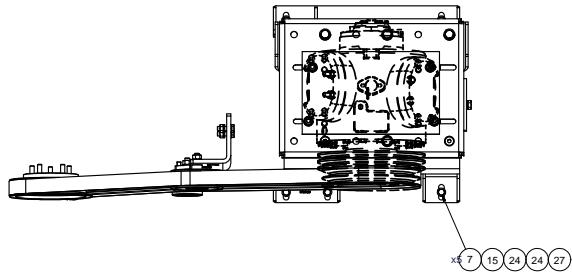
Product Number	Description	Date	Weight	Uof M	Yield
Line Component Prod#	Description	Bin Unit	Qty		
KKT82461	Kit, Platform, O5K, '07	10/19/2007	13.98		0
10	BMN80031	Bkt, Main, Slide, Assy, 05K, IC, RE300	each	1	
20	BMN80032	Bkt, Adapter, PL, IC, RE300	each	1	
30	CSF08100	Capscrew, FH, 1/2-13 x 1", Alloy, Plt	each	4	
40	NTP07000	Nut, Hex, 7/16-14unc, 5, Plt	each	4	
50	WFN07000	Washer, Flat, 7/16", 2, Plt	each	4	
60	WLP07000	Washer, Lock, 7/16", 5, Plt	each	4	

Bill of Materials Listing

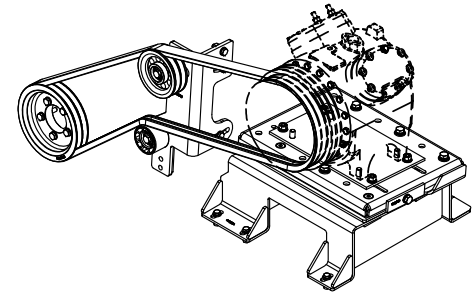
TransArctic Canada Inc.

10/28/2013
Page 1 of 1

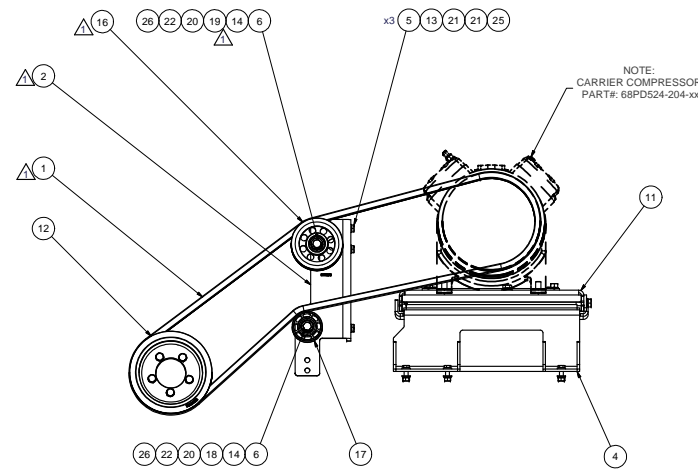
Product Number		Description	Bin	Date	Weight	Uof M	Yield
Line	Component Prod#	Description		Unit	Qty		
KPC89022		Kit, Pulley, ISL, 8.9L, 2B/X,'13		10/15/2013	11.51		0
10	PUL89022	Pulley, Crank, ISL, 8.9L, 2B/X, 8", '13		each	1		
20	BTC10050	Bolt, Hex, 10 x 1.5 x 50mm, 10.9, Plt		each	5		
30	WFA10000	Washer, Flat, 10mm, 8.8, Plt		each	5		



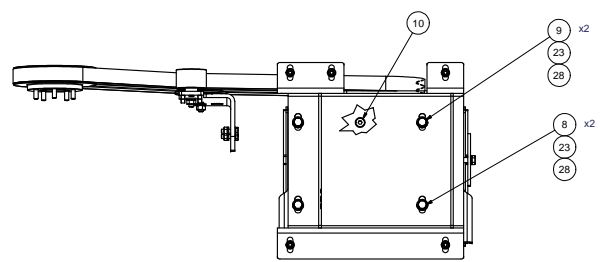
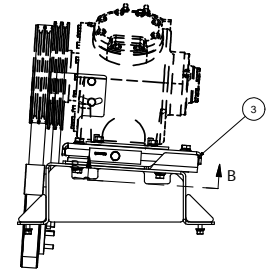
SECTION B-B



ISOMETRIC VIEW



NOTE:
CARRIER COMPRESSOR
PART#: 68PD524-204-xx



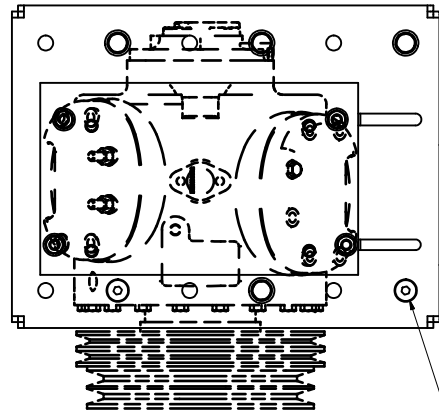
NOTES:
1) USE SERVICABLE THREADLOCKER ON ALL FASTENERS TO ENGINE COMPONENTS AND TORQUE ALL BOLTS TO S.A.E. SPECIFICATIONS.
2) SEE 'TRANSARCTIC A/C COMPRESSOR MOUNT INSTALLATION DISCLAIMER'.

ITEM	QTY	U/M	PART NUMBER	DESCRIPTION
28	4	EACH	WL008000	WASHER, LOCK, 1/2", 8, PLT
27	5	EACH	WL006000	WASHER, LOCK, 3/8", 8, PLT
26	2	EACH	WL120000	WASHER, LOCK, 12mm, 8.8, PLT
25	3	EACH	WL100000	WASHER, LOCK, 10mm, 8.8, PLT
24	10	EACH	WFS06002	WASHER, FLAT, 3/8", L9, PLT
23	4	EACH	WFO08000	WASHER, FLAT, 1/2", 8, PLT
22	2	EACH	WFA12000	WASHER, FLAT, 12mm, 8.8, PLT
21	6	EACH	WFA10000	WASHER, FLAT, 10mm, 8.8, PLT
20	2	EACH	SLV17012	SLEEVE, PULLEY, 16.90 x 22.23 mm x12.19l
19	1	EACH	SCD25412	SPACER, COL, DRL, 25.4mm x 25.40 x 12.3l
18	1	EACH	SCD21912	SPACER, COL, DRL, 21.9mm x 31.80 x 12.3l
17	1	EACH	PUL80074	PULLEY, IDLER, BACKSIDE, P8, 74D, 46.27W
16	1	EACH	PUA05012	PULLEY, ASSY, IDLER, B/BX gr, 5" STL, PLT
15	5	EACH	NT006000	NUT, HEX, 3/8-16UNC, 8, PLT
14	2	EACH	NTA12000	NUT, HEX, 12 x 1.75, 8.8, PLT
13	3	EACH	NTA10000	NUT, HEX, 10 x 1.5, 8.8, PLT
12	1	EACH	KPC89022	KIT, PULLEY, ISL, 8.9L, 28X, '13
11	1	EACH	KCB92494	KIT, COMPRESSOR, 12V, O5K, ISL, '13
10	4	EACH	CSF08101	CAPSCREW, FH, 1/2-20UNF x 1", ALLOY, PLT
9	2	EACH	BTQ08151	BOLT, HEX, 1/2-20UNF x 1.50, 8, PLT
8	2	EACH	BTQ08125	BOLT, HEX, 1/2-13UNC x 1.25, 8, PLT
7	5	EACH	BTQ06125	BOLT, HEX, 3/8-16UNC x 1.25, 8, PLT
6	2	EACH	BTC12080	BOLT, HEX, 12 x 1.75 x 80mm, 10.9, PLT
5	3	EACH	BTC10035	BOLT, HEX, 10 x 1.5 x 35mm, 10.9, PLT
4	1	EACH	BMC83129	BKT, WELDMT, MAIN BASE, ISL, HDX, '13
3	1	EACH	BMC83125	BKT, WELDMT, ADAPTER PL, ISL, HDX, '13
2	1	EACH	BMC83123	BKT, MAIN, IDLER, WELDMT, ISL, HDX, '13
1	1	EACH	BEL32464	BELT, BANDED B gr, 2464mm (97")

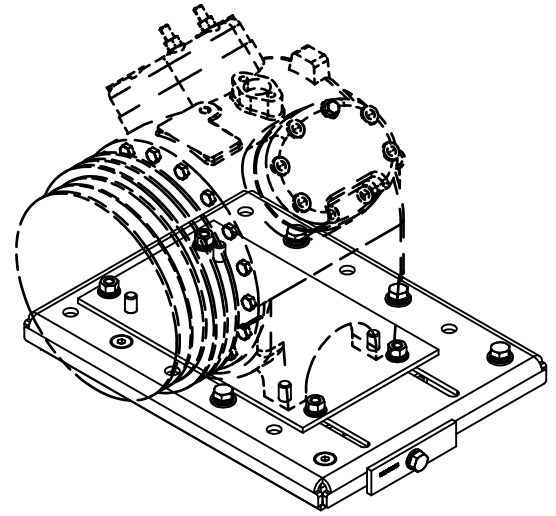
BILL OF MATERIALS			
DRAWN	jrodriquez	1/12/2015	TRANSARCTIC INC.
CHECKED	James Stewart	1/12/2015	
REVISION	DESCRIPTION	DATE	BY
1	GENERAL REVISION	8/23/2015	JRR
2	RELEASED TO PRODUCTION	1/12/2015	JRR
3			GA
4			James Stewart
5			JRR
6			James Stewart
7			JRR
8			James Stewart
9			JRR
10			James Stewart
11			JRR
12			James Stewart
13			JRR
14			James Stewart
15			JRR
16			James Stewart
17			JRR
18			James Stewart
19			JRR
20			James Stewart
21			JRR
22			James Stewart
23			JRR
24			James Stewart
25			JRR
26			James Stewart
27			JRR
28			James Stewart
29			JRR
30			James Stewart
31			JRR
32			James Stewart
33			JRR
34			James Stewart
35			JRR
36			James Stewart
37			JRR
38			James Stewart
39			JRR
40			James Stewart
41			JRR
42			James Stewart
43			JRR
44			James Stewart
45			JRR
46			James Stewart
47			JRR
48			James Stewart
49			JRR
50			James Stewart
51			JRR
52			James Stewart
53			JRR
54			James Stewart
55			JRR
56			James Stewart
57			JRR
58			James Stewart
59			JRR
60			James Stewart
61			JRR
62			James Stewart
63			JRR
64			James Stewart
65			JRR
66			James Stewart
67			JRR
68			James Stewart
69			JRR
70			James Stewart
71			JRR
72			James Stewart
73			JRR
74			James Stewart
75			JRR
76			James Stewart
77			JRR
78			James Stewart
79			JRR
80			James Stewart
81			JRR
82			James Stewart
83			JRR
84			James Stewart
85			JRR
86			James Stewart
87			JRR
88			James Stewart
89			JRR
90			James Stewart
91			JRR
92			James Stewart
93			JRR
94			James Stewart
95			JRR
96			James Stewart
97			JRR
98			James Stewart
99			JRR
100			James Stewart

UNSPECIFIED TOLERANCES: H4.1, H4.1, H4.1
 ONE DECIMAL PLACE (X1) .10 (10%)
 TWO DECIMAL PLACE (X2) .005 (10%)
 THREE DECIMAL PLACE (X3) .002 (10%)
 FRACTIONAL (1/16") ANGULAR -- .01

THIRD ANGLE PROJECTION
 DRAWING UNIT OF MEASURE: MM (INCH)
 SCALE: 1:1
 DWG NO: KMC92494
 REV: 1
 SHEET 1 OF 1

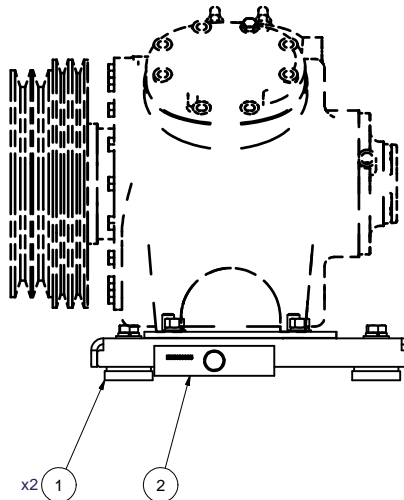
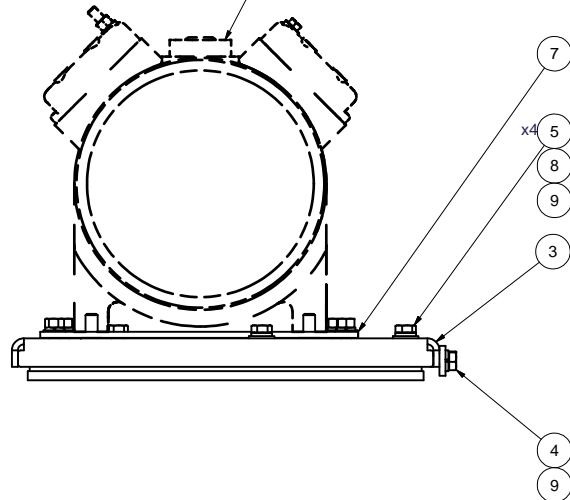


x2 6



ISOMETRIC VIEW

NOTE:
CARRIER COMPRESSOR
PART#: 68PD524-204-xx



NOTES:

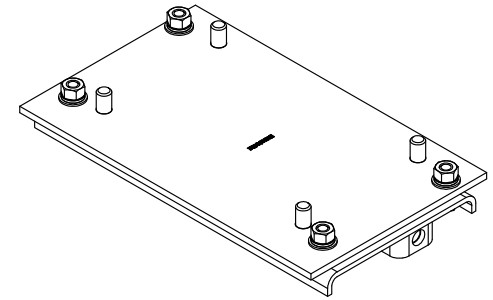
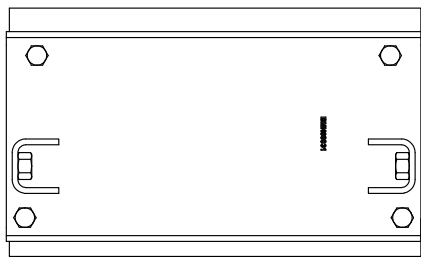
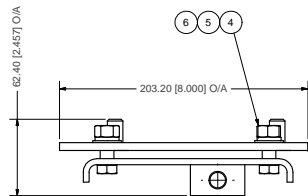
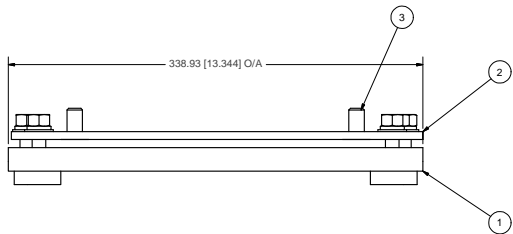
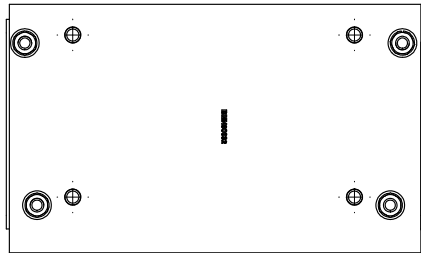
- 1) USE SERVICABLE THREADLOCKER ON ALL FASTENERS TO ENGINE COMPONENTS AND TORQUE **ALL** BOLTS TO S.A.E. SPECIFICATIONS.
- 2) SEE "TRANSARCTIC A/C COMPRESSOR MOUNT INSTALLATION DISCLAIMER".
- 3) WEIGHT: 49.71 LBS.

ITEM	QTY	U/M	PART NUMBER	DESCRIPTION
9	5	EACH	WLQ08000	WASHER, LOCK, 1/2", 8, PLT
8	4	EACH	WFO08000	WASHER, FLAT, 1/2", 8, PLT
7	1	EACH	KKT82461	MT KIT, TRANSIT, O5K, '07
6	2	EACH	CSF08076	CAPSCREW, FH, 1/2-20UNF x.75" ALLOY, PLT
5	4	EACH	BTQ08101	BOLT, HEX, 1/2-20UNF x 1.00, 8, PLT
4	1	EACH	BTP08653	BOLT, HEX, 1/2-13UNC x 6.50, 5, PLT, FT
3	1	EACH	BMZ00043	BKT, MAIN, BASE PL, '13
2	1	EACH	BMN80025	BKT, BACK, PL, SLIDE, IC, RE300
1	2	EACH	BMN80008	VIBRATION ISOLATOR, BAR, 16.50 x 2 x 1.50

BILL OF MATERIALS

DRAWN	jrodriguez	1/8/2015	TRANSARCTIC INC.
CHECKED	Val Jakowlew	1/8/2015	
REV	0A	1/8/2015	
BY:	James Stewart		
MFG	Ron Ingram	1/8/2015	TITLE
APPROVED	Dale Mason	1/8/2015	KIT, COMPRESSOR, 12V, O5K, ISL, '13
SIZE	C	DWG NO	REV
		KCB92494	0
DRAWING UNIT OF MEASURE:	MM [INCH]	SCALE	1:4
		SHEET	1 OF 1

0	RELEASED TO PRODUCTION.	1/8/2015	JRR
REV	ECN:	DESCRIPTION:	DATE: BY:
THIS DRAWING CONTAINS PROPRIETARY CONFIDENTIAL INFORMATION OWNED BY TRANSARCTIC CANADA INC. THE DOCUMENT AND THE INFORMATION IN IT ARE NOT TO BE USED, DISCLOSED OR REPRODUCED WITHOUT EXPRESS WRITTEN PERMISSION OF THE COMPANY.			
UNSPECIFIED TOLERANCES: [ALT. DIM.]			
ONE DECIMAL PLACE (.X)	.50	[.020]	
TWO DECIMAL PLACE (.XX)	.25	[.010]	
THREE DECIMAL PLACE (.XXX)	.10	[.005]	
FRACTIONAL +/- .002"	ANGULAR +/- .50°		
		THIRD ANGLE PROJECTION	



ISOMETRIC VIEW

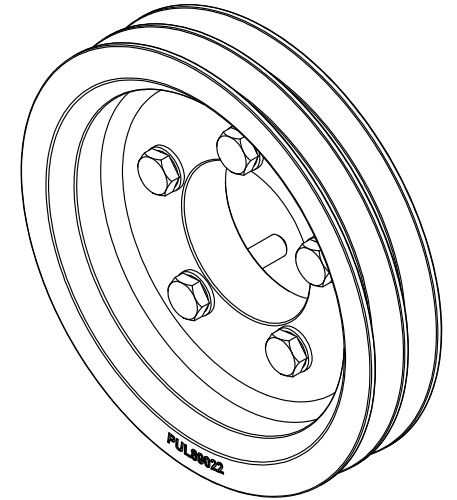
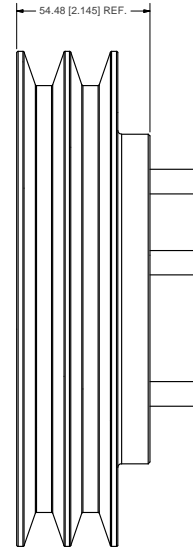
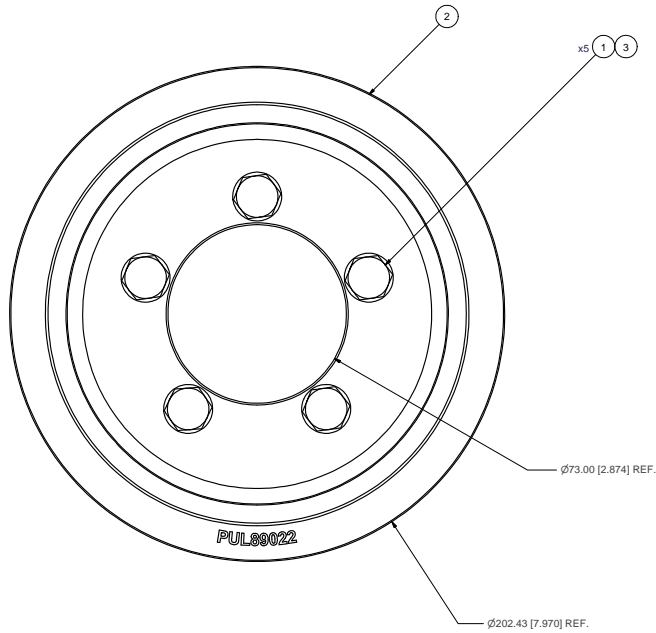
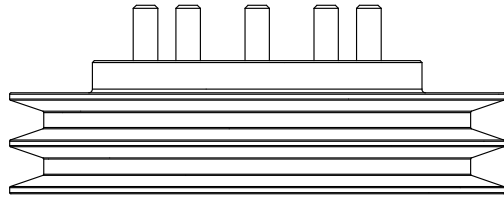
NOTES:

- 1) USE SERVICABLE THREADLOCKER ON ALL FASTENERS TO ENGINE COMPONENTS AND TORQUE ALL BOLTS TO S.A.E. SPECIFICATIONS.
- 2) SEE 'TRANSARCTIC A/C COMPRESSOR MOUNT INSTALLATION DISCLAIMER'.
- 3) WEIGHT: 13.96 LBS.

ITEM	QTY	U/M	PART NUMBER	DESCRIPTION
5	4	EACH	WPN07000	WASHER, FLAT, 7/16", 2, PLT
6	4	EACH	WLP07000	WASHER, LOCK, 7/16", 5, PLT
4	4	EACH	NTP07000	NUT, HEX, 7/16-14UNC, 5, PLT
3	4	EACH	CSF08100	CAPSCREW, FH, 3/8-16 x 1", 9, PLT
2	1	EACH	BMN80032	BKT, ADAPTER, PL, IC, RE300
1	1	EACH	BMN80031	BKT, MAIN, SLIDE, ASSY, 05K, IC, RE300

BILL OF MATERIALS

DRAWN vjakowlew 10/20/2008 CHECKED vjakowlew 10/20/2008 RELEASED TO PRODUCTION 10/20/2008 REV: ECN DESCRIPTION: JRR DATE: GA BY: James Stewart APPROVED Ron Ingram 10/20/2008 Dale Mason 10/20/2008	TITLE TRANSARCTIC INC. MT KIT, TRANSIT, 05K, '07	DWG NO KKT82461 REV 0
UNspecified TOLERANCES: ONE DECIMAL PLACE (X) .1 TWO DECIMAL PLACE (XX) .05 THREE DECIMAL PLACE (XXX) .01 FRACTIONAL (1/16") .001	THIRD ANGLE PROJECTION	SCALE 1:2 SHEET 1 OF 1



ISOMETRIC VIEW

NOTES:

- 1) USE SERVICABLE THREADLOCKER ON ALL FASTENERS TO ENGINE COMPONENTS AND TORQUE ALL BOLTS TO S.A.E. SPECIFICATIONS.
- 2) SEE "TRANSARCTIC A/C COMPRESSOR MOUNT INSTALLATION DISCLAIMER".
- 3) WT:≈ 11.56 LBS

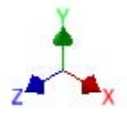
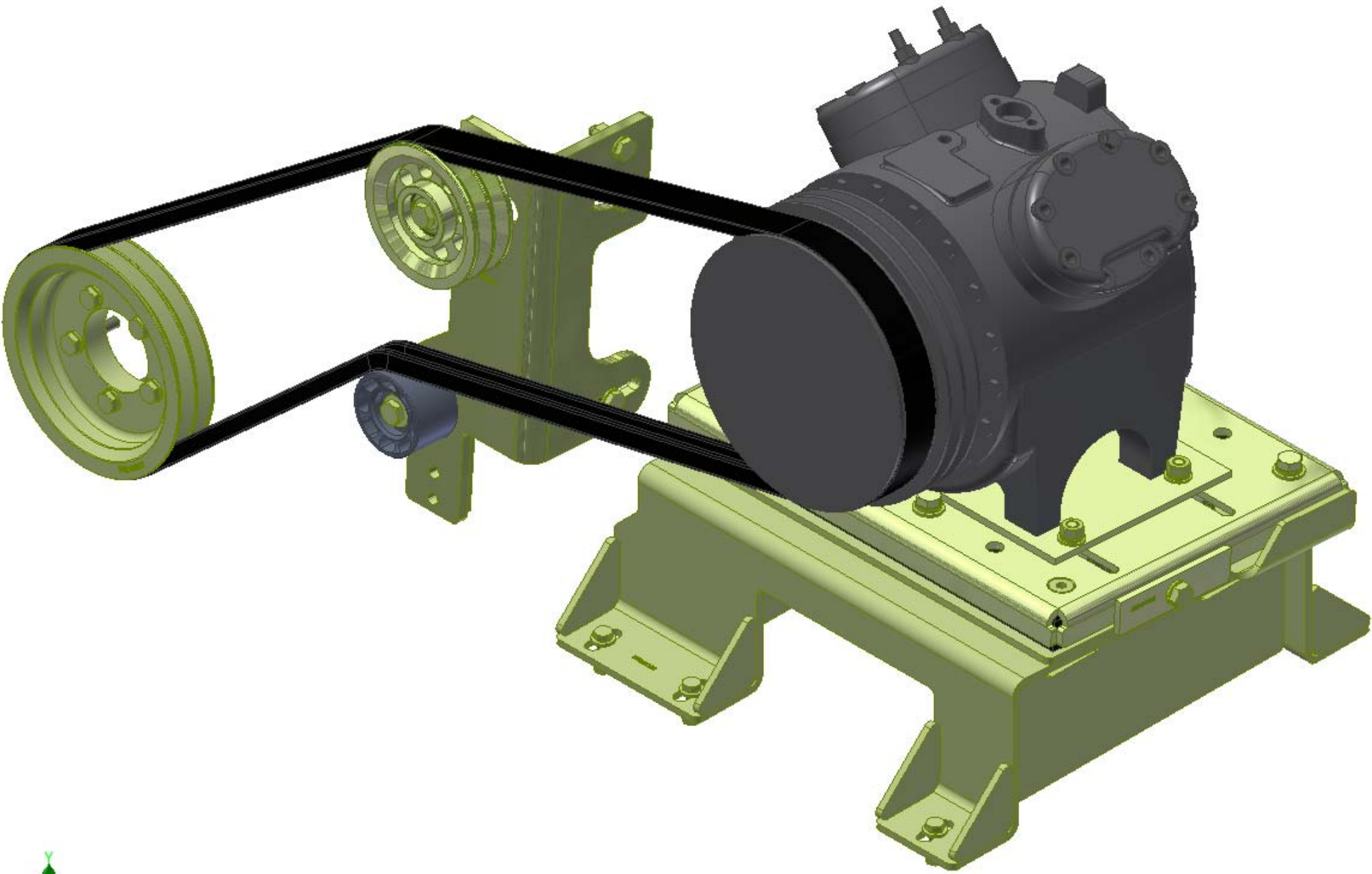
ITEM	QTY	U/M	PART NUMBER	DESCRIPTION
3	5	EACH	WFA10000	WASHER, FLAT, 10mm, 8.8, PLT
2	1	EACH	PUL89022	PULLEY, CRANK, ISL, 8.9L, 2B/X, 8", '13
1	5	EACH	BTCT0050	BOLT, HEX, 10 x 1.5 x 50mm, 10.9, PLT

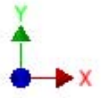
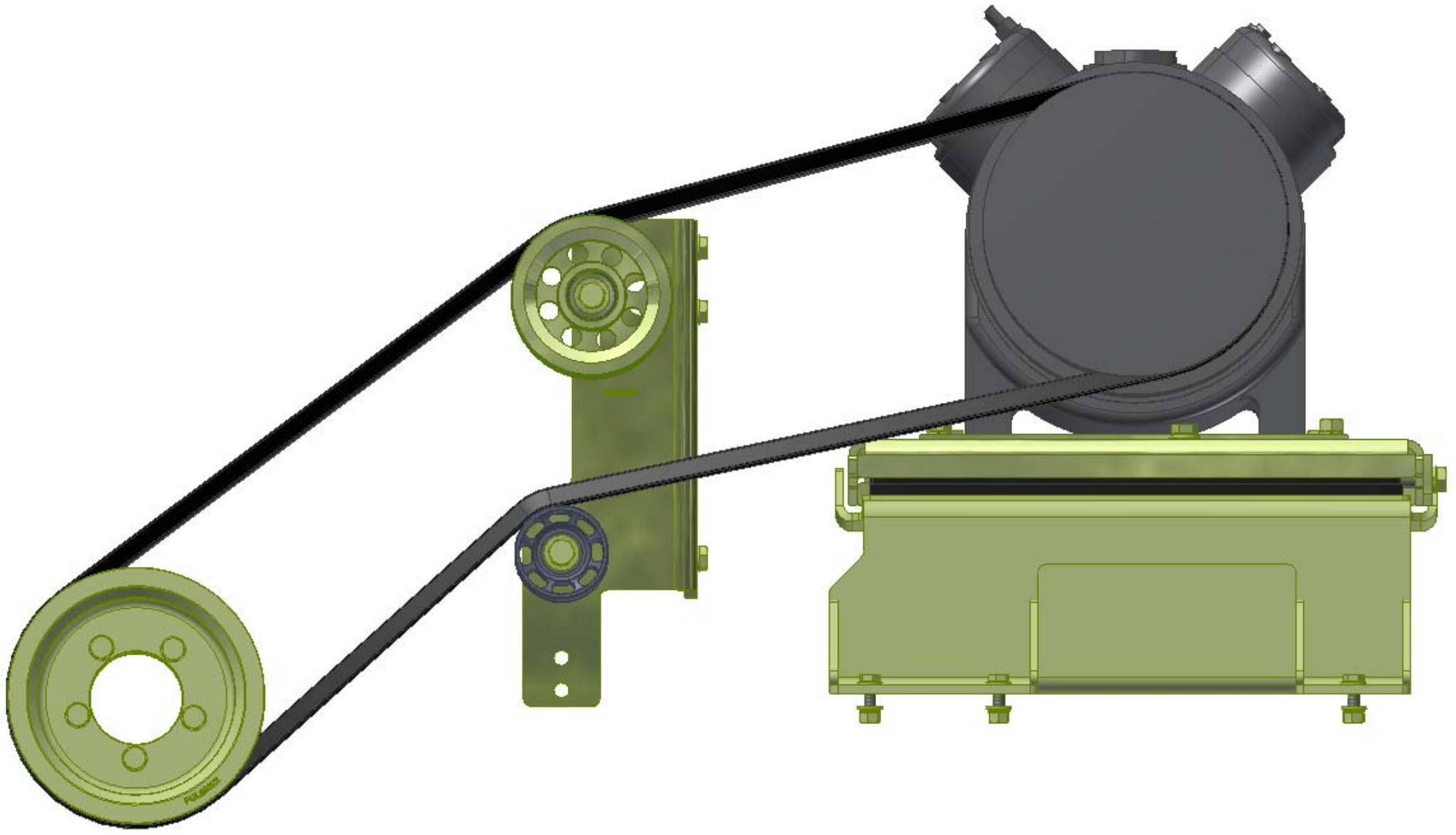
BILL OF MATERIALS

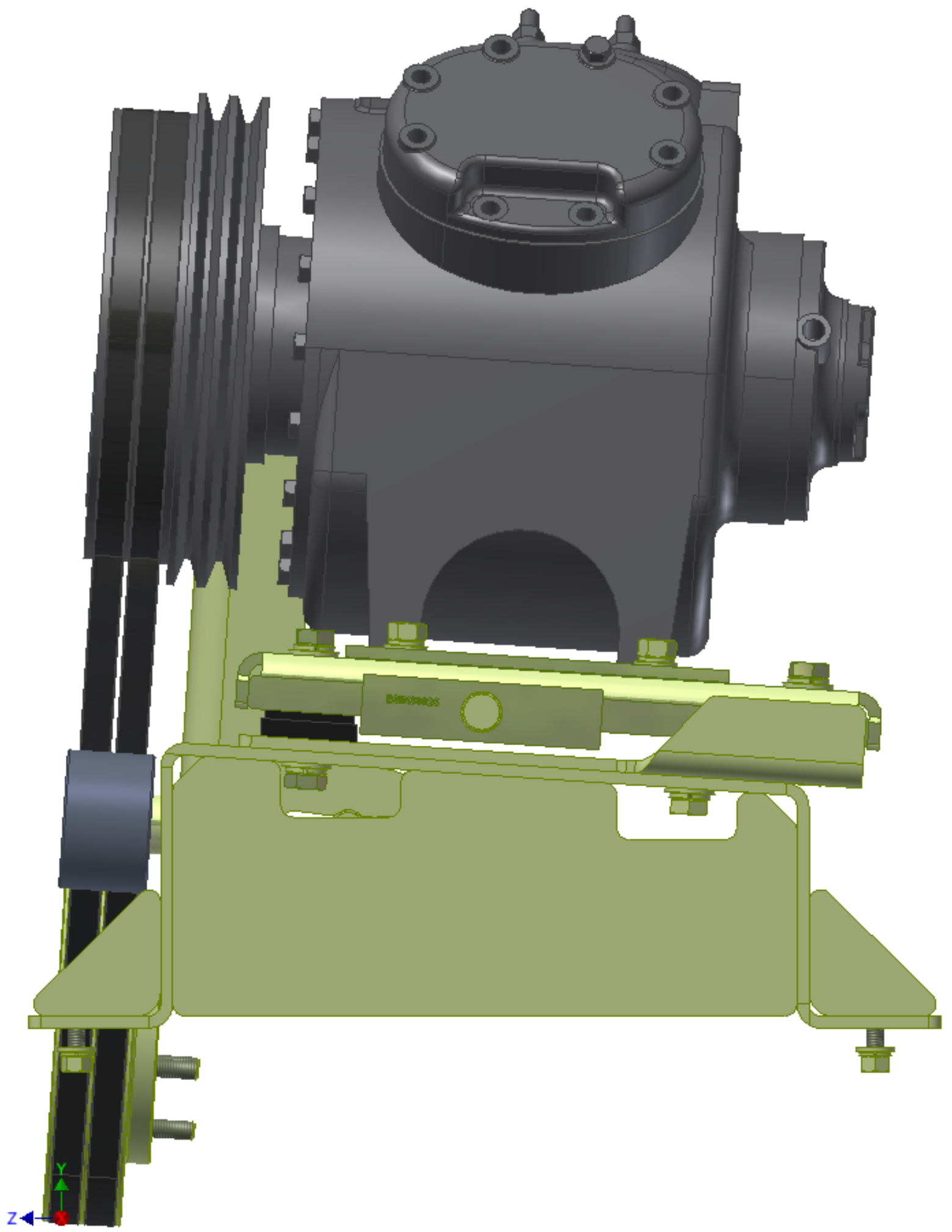
DRAWN	10/15/2013	TRANSARCTIC INC.		
Checked	10/15/2013			
REV	DESCRIPTION	DATE	BY	TITLE
0	RELEASED TO PRODUCTION	10/15/2013	JRB	GA
1		10/15/2013	James Stewart	
2		10/15/2013	Ron Ingram	KIT, PULLEY, ISL, 8.9L, 2B/X, '13
3		10/15/2013	Dale Mason	

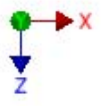
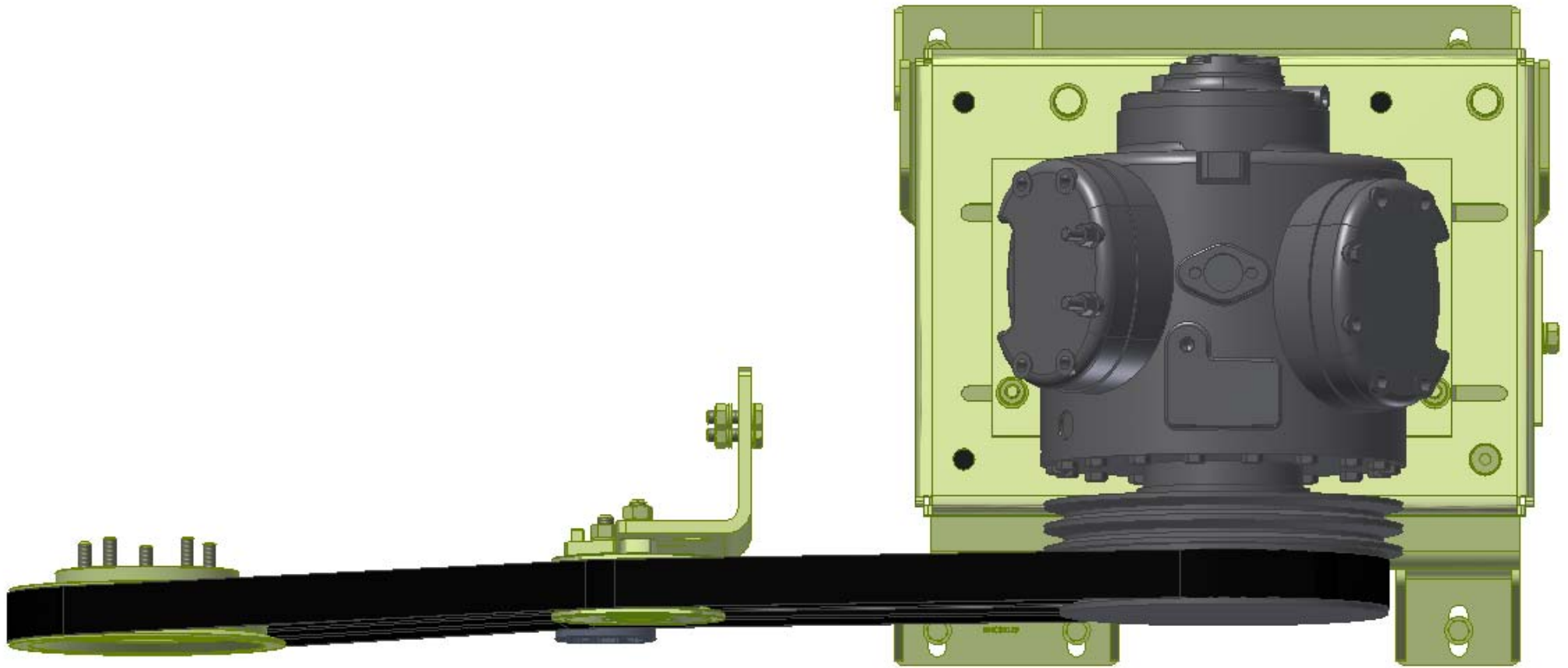
UNSPECIFIED TOLERANCES:		MM (INCH)
ONE DECIMAL PLACE (X.0)	±0.10 (±0.004)	THIRD ANGLE PROJECTION
TWO DECIMAL PLACE (X.00)	±0.02 (±0.0008)	
THREE DECIMAL PLACE (X.000)	±0.002 (±0.00008)	

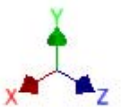
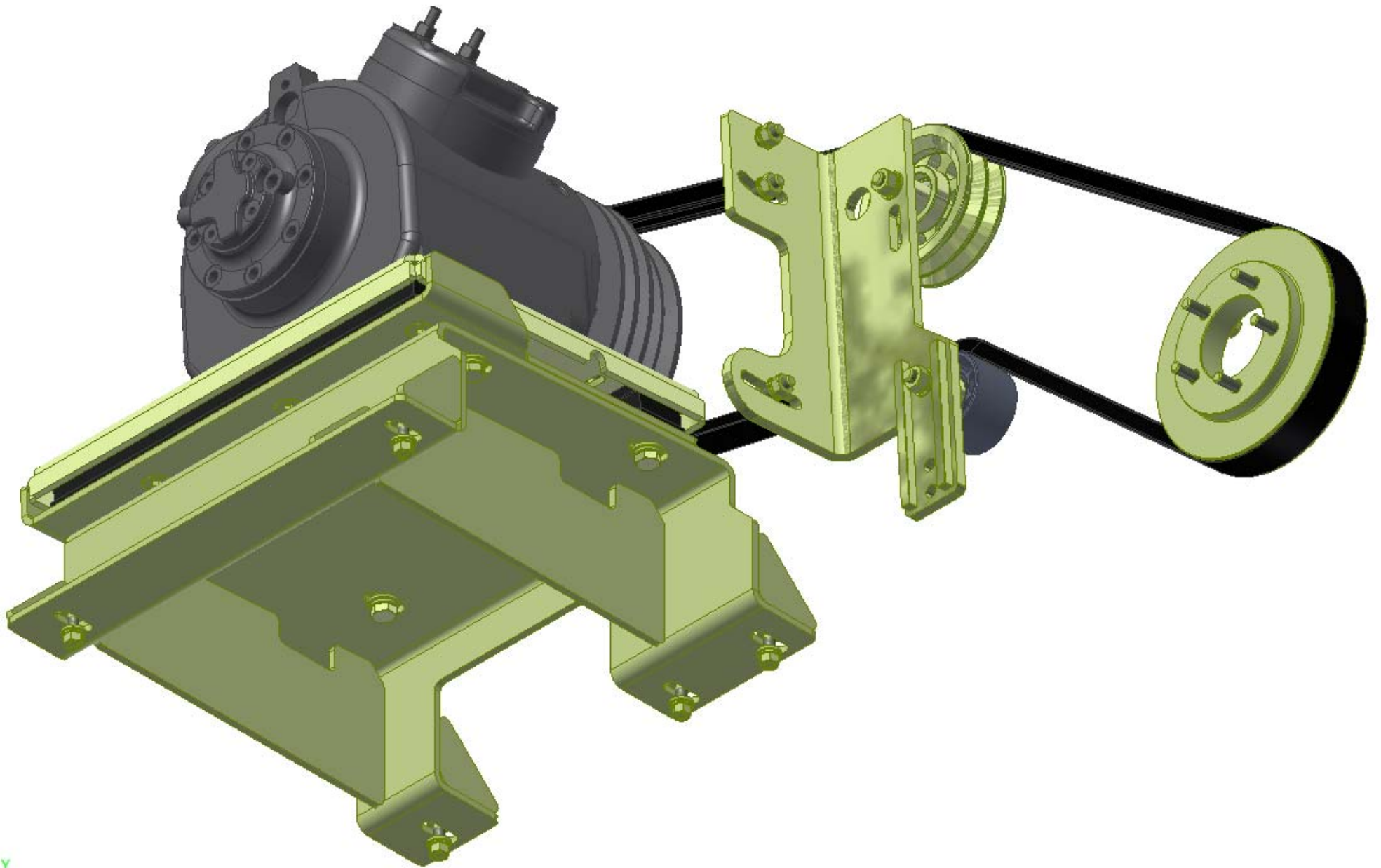
DWG NO	REV
D	0
KPC89022	
SCALE 1:1	SHEET 1 OF 1











TransArctic A/C Compressor Mount Installation Disclaimer

All compressor mounts should be installed by qualified and trained personnel using proper tools and equipment in safe working conditions following industry standard guidelines for motor vehicle service and repair.

The installer of any compressor mount purchased from TransArctic must undertake all responsibility of issues arising from that compressor bracket being installed on any vehicle. As well as insure that a **proper and sufficient ground** is established between the compressors' clutches and the vehicle's engine. Mount functionality, operation and durability can all be compromised by an incompetent installation.

Due to the many different situations, parameters and application criteria, which are beyond the compressor mount manufacturer's control, TransArctic does not warrant design, durability, or operational functionality of any compressor mount improperly installed by another party.

With no implied guarantees it is the mount installer's strict responsibility to determine safety and functionality, of the compressor mount, at the time of installation.

Please contact TransArctic with any issue arising from installation so we may better improve the product. If you have any reservations about the compressor mount integrity contact TransArctic immediately at 1-877-COLD-AIR.

Mark OEM tensioner location

Install Kit

Check for Interferences

Check to ensure that the proper OEM tensioner orientation is maintained

Run engine with A/C system engaged for at least 10 minutes to run in belt

Check OEM tensioner orientation and adjust as required

Responsabilidad limitada de TransArctic en la instalación del soporte del compresor

Todos los soportes de los compresores deben ser instalados por personas calificadas y entrenadas, usando para ello los equipos y herramientas necesarios para esta labor en buenas condiciones y según las normas y guías para el servicio y/o reparación de motores de vehículos.

El instalador de los soportes comprados en TransArctic asume toda la responsabilidad de cualquier problema que surga en el soporte del compresor al vehículo; de igual manera es responsable que el cable a tierra sea conectado entre el embrague del compresor y el motor del vehículo.

Se advierte que el buen funcionamiento y la durabilidad del soporte pueden ser comprometidos por defectos en su instalación.

Debido a las diversas situaciones que se puedan presentar fuera del control del fabricante, TransArctic no garantiza el diseño, la durabilidad o el correcto funcionamiento de cualquier equipo inapropiadamente instalado por terceros.

Esta sobreentendido que el Instalador del montaje del compresor es estrictamente responsable de la seguridad y funcionamiento del equipo en el momento de la instalación.

Si tuviera algún problema o duda acerca de la instalación del soporte del compresor pongase en contacto inmediatamente con TransArctic al teléfono 1-877-COLD-AIR de modo que podamos mejorar nuestro producto.

Note la ubicación del medidor de tensión OEM

Instale el equipo

Controlar si hay interferencias.

Asegurese que el medidor de tensión mantenga la orientación justa.

Encienda el motor por lo menos 10 minutos con el sistema A/C enganchado para que la correa corra

Controle la orientación justa del medidor de tensión y ajuste a las condiciones requeridas del fabricante