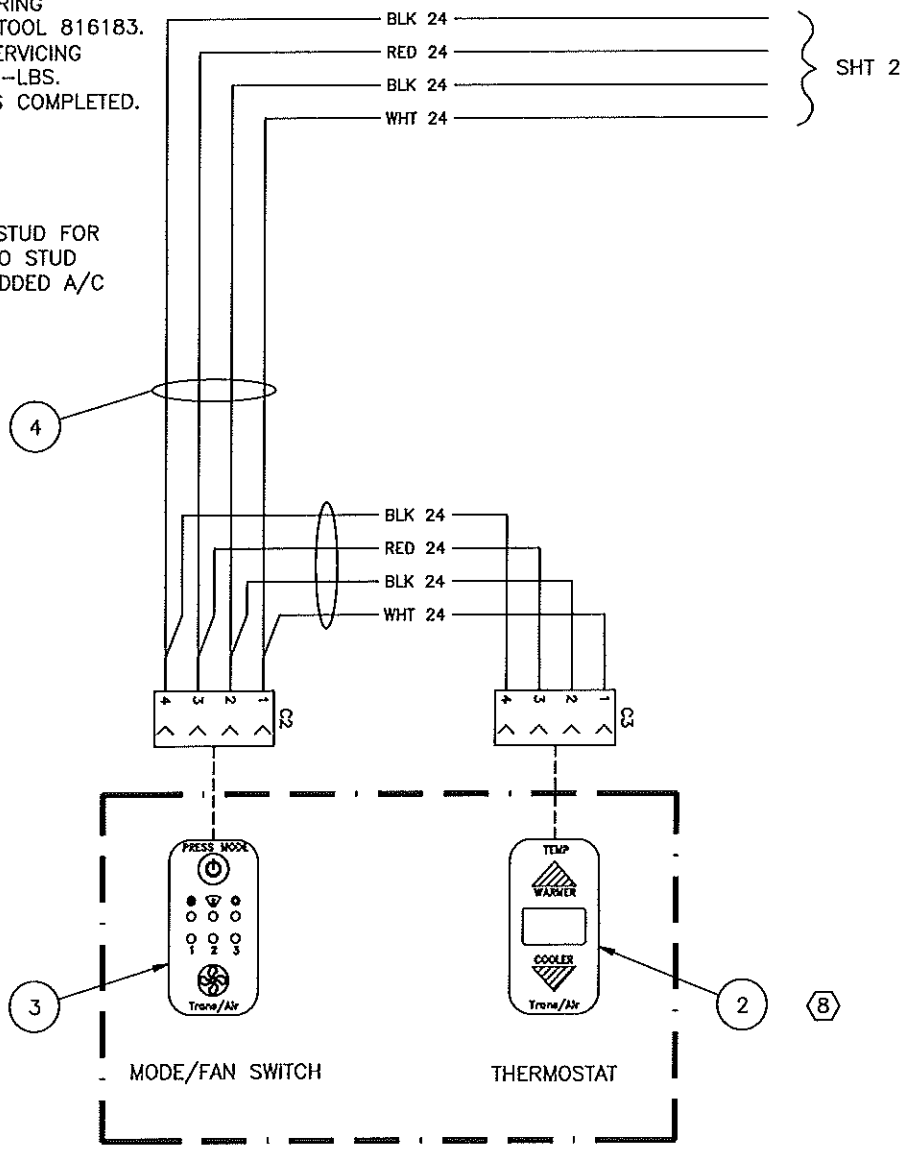


REVISIONS			
REV	DESCRIPTION	DATE	APPROVED
A	SEE ECN 09139	7/8/09	JMH
B	SEE ECN 09259	11/18/09	BGC
C	SEE ECN 10054	3/10/10	BGC
D	SEE ECN 13016	2/6/2013	BGC
E	SEE ECN 13133	8/20/13	DEW

-01 NO HEAT
-02 HEAT

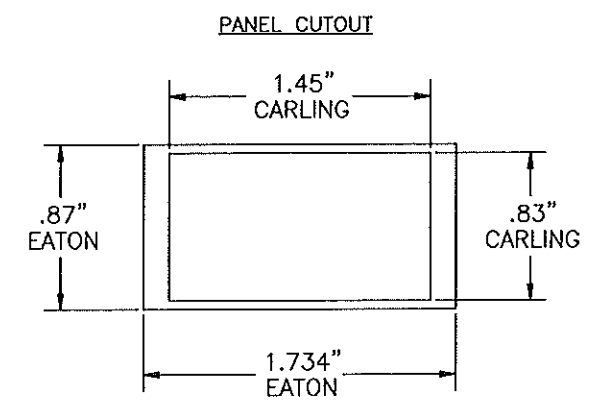
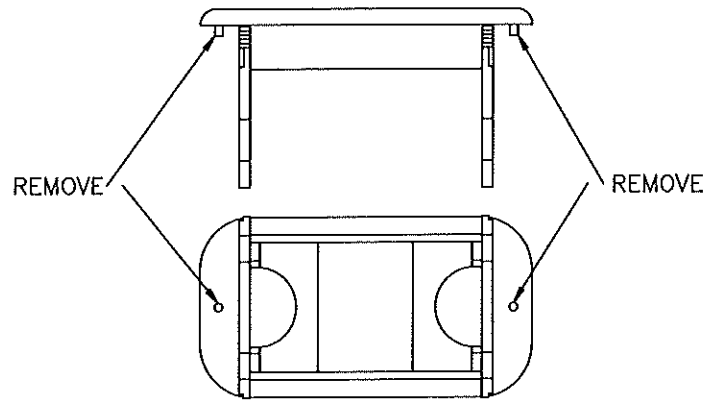
- NOTES:
- GROUND TO CHASSIS AT CLOSEST POINT TO MINIMIZE VOLTAGE LOSS.
 - OEM CLUTCH WIRE MUST BE DISCONNECTED FROM CLUTCH AND CONNECTED TO PINK T/A FOR TIE-IN SYSTEM.
 - P/N 116048 TO BE PURCHASED SEPARATELY
 - LOCATE EC4.0 BOARD INSIDE THE VEHICLE OR IN AN ENCLOSED ELECTRICAL COMPARTMENT. DO NOT LOCATE EXTERNAL TO THE VEHICLE OR EXPOSED TO HEAT IN THE ENGINE COMPARTMENT. MARK AND DRILL HOLES. **DO NOT USE EC4.0 BOARD AS A DRILL TEMPLATE.**
 - LOCATE POWER FUSES WITHIN 4 FT. OF POWER SOURCE AND BEFORE PASSING THROUGH ANY PARTITIONS. FUSES LOCATED ELSEWHERE MUST BE PRE-APPROVED BY TRANS/AIR ENGINEERING DEPARTMENT.
 - RISK OF FIRE.** ONLY SCREWS SUPPLIED IN HARDWARE KIT (ITEM 39) ARE PERMITTED FOR USE IN TERMINAL STRIP. DO NOT SUBSTITUTE UNLESS APPROVED BY TRANS/AIR ENGINEERING DEPARTMENT. TORQUE TERMINAL STRIP SCREWS TO 18 IN-LBS. RECOMMEND USING TOOL 816183. TERMINAL STRIP USES LOCKING SCREWS THAT SHOULD NEVER BE REUSED. WHEN SERVICING ALWAYS USE NEW HARDWARE KIT 5031232 FROM TRANS/AIR AND TIGHTEN TO 18 IN-LBS. ALWAYS REPLACE COVER AFTER INSTALLATION AND AFTER EACH TIME ANY SERVICE IS COMPLETED. ALWAYS FOLLOW SERVICE INSTRUCTIONS. CONTACT TRANS/AIR AT 1-800-673-2446.
 - SECURE CABLE TO MINIMIZE STRAIN AT EC4.0 BOARD CONNECTION POINT.
 - SWITCHES MUST BE MOUNTED IN ADJACENT PANEL CUTOUTS.
 - USE ONLY BATTERY OR ALTERNATOR POSITIVE POST OR ADEQUATE OEM-PROVIDED STUD FOR POWER PICK-UP POINT. WHEN USING OEM-PROVIDED STUD, VERIFY OEM FEEDER TO STUD AND ANY CIRCUIT PROTECTION UPSTREAM OF STUD ARE SIZED SUFFICIENTLY FOR ADDED A/C LOAD.
 - SNAP TERMINAL STRIP COVER IN PLACE AS SHOWN IN DETAIL B, SHEET 3, ONCE WIRE CONNECTIONS AT THE TERMINAL STRIP ARE COMPLETED.



QTY REQD PER ASSY	QTY REQD PER ASSY	QTY REQD PER ASSY	DESCRIPTION	ITEM NO.	
1	1		5031232	HARDWARE KIT, TERMINAL STRIP	39
1	1		916151	LABELS, SWITCH, EVAPORATOR	38
1	1		916097	DECAL, MANUAL, EC4.0 OPERATION	37
10ft	-		116008	WIRE, 14 Ga BROWN	36
1	-		213033	VALVE, HEAT	35
1	1		111149	SENSOR, TEMPERATURE	34
1	1		701441	HARNESS, TEMPERATURE SENSOR	33
3	2		115031	TERMINAL, FEMALE SLIP-ON, 14-16 Ga	32
20	20		117001	TYRAP, 6"	31
10	10		611045	CLAMP, 3/8	30
5ft	5ft		116004	WIRE, 14 Ga GREEN	29
15ft	15ft		119002	LOOM, 1/2	28
45ft	35ft		119005	LOOM, 3/8	27
1	-		701508	RELAY BOARD ASSY, EC4.0 W/HEAT	26
14	14		619124	SCREW, HEX WASHER HD, #10 X 1/2, SELF DR	25
4	4		619125	SCREW, PAN HD, #6 X 5/8, SELF DR	24
30ft	30ft		116001	WIRE, 10 Ga RED	23
4	4		115016	TERMINAL, #10 RING, 10-12 Ga	22
6	5		115231	TERMINAL, #8 RING, 14-16 Ga	21
3	2		115014	TERMINAL, 1/4 RING, 14-16 Ga	20
2	2		115021	TERMINAL, 1/4 RING, 10-12 Ga	19
2	2		115196	TERMINAL, 3/8 RING, 10 Ga	18
6	6		115230	TERMINAL, #8 RING, 10-12 Ga	17
2	2		115042	TERMINAL, MALE SLIP-ON, 18-22 Ga	16
2	2		115029	TERMINAL, FEMALE SLIP-ON, 18-22 Ga	15
3	2		115041	TERMINAL, MALE SLIP-ON, 14-16 Ga	14
1	1		115009	TERMINAL, 5/16 RING, 14-16 Ga	13
15ft	15ft		116010	WIRE, 14 Ga BLACK	12
15ft	15ft		116022	WIRE, 14 Ga GRAY	11
10ft	10ft		116023	WIRE, 14 Ga PURPLE	10
10ft	10ft		116021	WIRE, 14 Ga PINK	9
1	1		110050-10	FUSE, MINI, 10A	8
1	1		110075	FUSE HOLDER, MINI, 16 Ga	7
2	2		701401	FUSE ASSY, 40A	6
1	1		701336-30	HARNESS, CONDENSER	5
1	1		701434	HARNESS, COMMUNICATION, EC4.0	4
1	1		701426	SWITCH, MODE & FAN SPD CONTROL	3
1	1		701425	THERMOSTAT, EC4.0	2
-	1		701507	RELAY BOARD ASSY, EC4.0	1

PUSHBUTTON SWITCH INSTALLATION

EC4.0 SWITCHES ARE SIZED TO FIT THE EXISTING ROCKER SWITCH PANEL CUTOUTS FOR EATON NGR ROCKERS AND CARLINGSWITCH CONTURA ROCKERS.
EATON PANEL CUTOUT - EC4.0 SWITCHES SNAP IN AS-IS
CARLINGSWITCH PANEL CUTOUT - REMOVE TABS INDICATED BELOW



UNLESS OTHERWISE SPECIFIED: DIMENSIONS ARE IN INCHES TOLERANCES ON DECIMALS
2PL ± .015 3PL ± .010 ANGLE ± .5

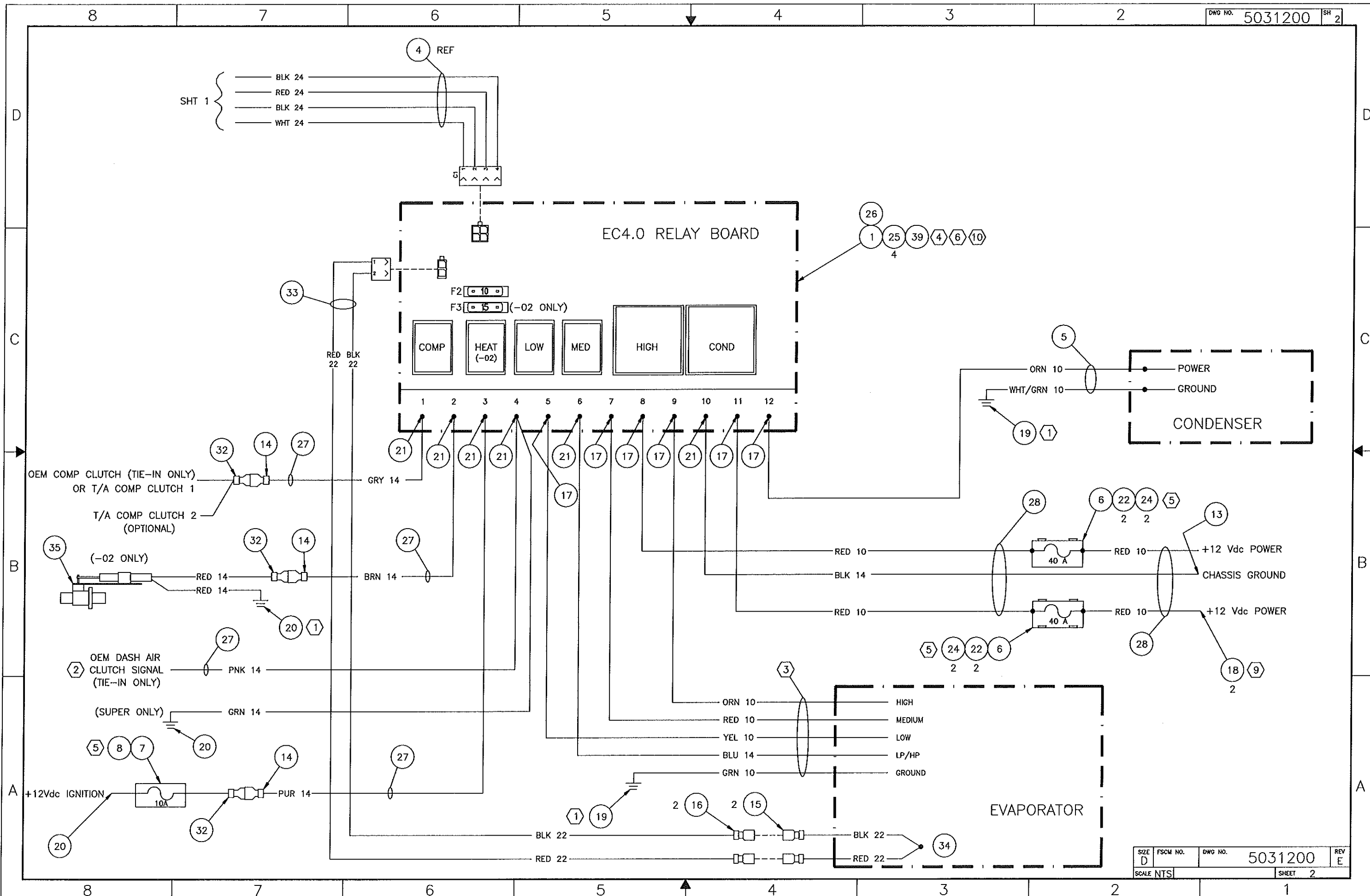
INTERPRET DRAWING PER DOD-STD-100
REMOVE BURRS AND SHARP EDGES
DO NOT SCALE DRAWING

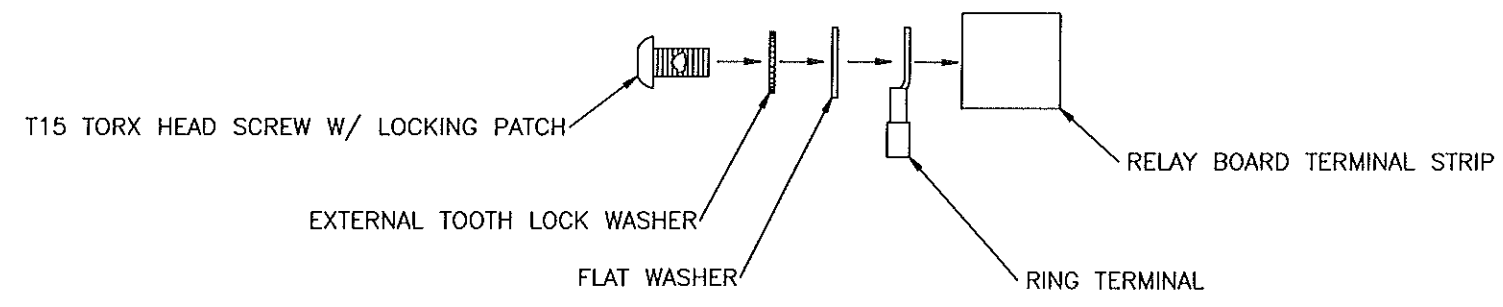
MATERIAL:

TRANS/AIR MFG CORP
ELECTRICAL INSTALLATION
EC4.0

DRAWN BY: BGC DATE: 3/27/09
CHECKER: [Signature] DATE: [Signature]
DESIGN APPROVAL: [Signature]

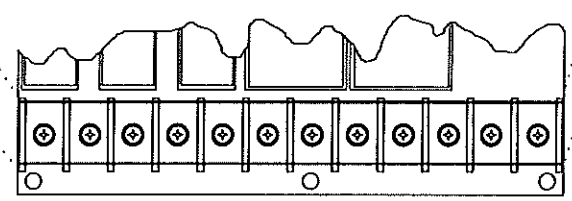
SIZE: D CODE: [] DWG NO.: 5031200 REV: E
SCALE: NTS SHEET: 1 of 3





DETAIL A

⚠ WARNING Risk of fire. Terminal block uses locking screws that should never be reused. When servicing always use new hardware kit 5031232 from Trans/Air and tighten to 18 in-lbs. Always follow service instructions. Contact Trans/Air at 1-800-673-2446.



DETAIL B