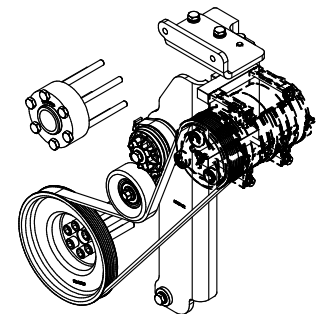
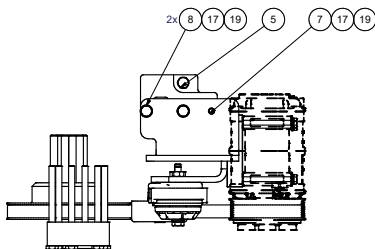


Bill of Materials Listing

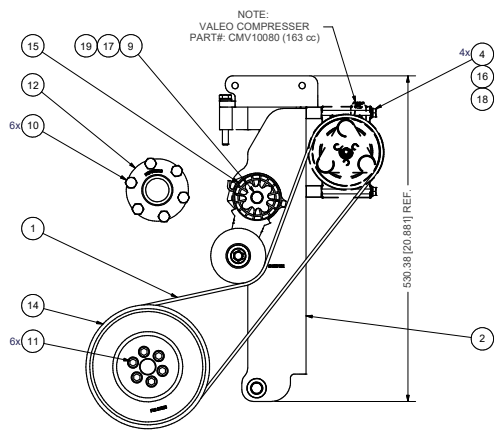
TransArctic Canada Inc.

7/22/2021
Page 1 of 1

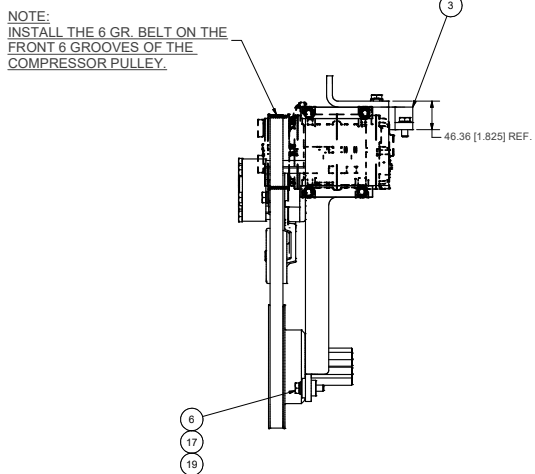
Product Number	Date	Description	Uof M	Weight	Yield
Line	Qty	Component Prod#	Rev#	Bin	Unit
TPK61070	1/7/2019	1 Kit, Temp, ISB, 6.7L, BBCV, TM-16, '19		36.89	0
10	1	BEL61511			each
20	1	BMC67131	2		each
30	1	BMC67206	0		each
35	1	FSP63810	0		each
37	3.50	HOA01002			feet
40	1	PUL67006	0		each
50	1	TEN80005			each
60	4	BTC08100			each
70	1	BTC10025			each
90	1	BTC10040			each
100	1	BTC10055			each
110	2	BTC10075			each
120	1	BTC10090			each
125	6	BTC10130			each
130	6	CSS12090			each
150	4	WFA08000			each
160	5	WFA10000			each
170	4	WLA08000			each
180	6	WLA10000			each



ISOMETRIC VIEW



NOTE:
VALEO COMPRESSOR
PART#: CMV10080 (163 cc)



NOTE:
INSTALL THE 6 GR. BELT ON THE
FRONT 6 GROOVES OF THE
COMPRESSOR PULLEY.

NOTES:
1) USE SERVICABLE THREADLOCKER ON ALL FASTENERS TO ENGINE COMPONENTS AND TORQUE ALL BOLTS TO S.A.E. SPECIFICATIONS.
2) SEE "TRANSARC TIC A/C COMPRESSOR MOUNT INSTALLATION DISCLAIMER".

ITEM	QTY	U/M	PART NUMBER	DESCRIPTION
19	6	EACH	WLA10000	WASHER, LOCK, 10mm, 8.8, PLT
18	4	EACH	WLA08000	WASHER, LOCK, 8mm, 8.8, PLT
17	5	EACH	WFA10000	WASHER, FLAT, 10mm, 8.8, PLT
16	4	EACH	WFA08000	WASHER, FLAT, 8mm, 8.8, PLT
15	1	EACH	TEN80005	TENR, HD SPRING, BACKSIDE, CCW (89430)
14	1	EACH	PUL67006	PULLEY, CRANK, ADD-ON, CUM, ISB, 6.7, P6
13	3.50	FEET	HOA01002	HOSE, AIR, 1" ID
12	1	EACH	FSP63810	SPACER, FAN, PULLEY, ISB, 38.1mm (1.5")
11	6	EACH	CSS12090	CAPSCREW, SH, 12 x 1.25 x 90mm, 12.9, PLT
10	6	EACH	BTC10130	BOLT, HEX, 10 x 1.5 x 130mm, 10.9, PLT
9	1	EACH	BTC10090	BOLT, HEX, 10 x 1.5 x 90mm, 10.9, PLT
8	2	EACH	BTC10075	BOLT, HEX, 10 x 1.5 x 75mm, 10.9, PLT
7	1	EACH	BTC10055	BOLT, HEX, 10 x 1.5 x 55mm, 10.9, PLT
6	1	EACH	BTC10040	BOLT, HEX, 10 x 1.5 x 40mm, 10.9, PLT
5	1	EACH	BTC10025	BOLT, HEX, 10 x 1.5 x 25mm, 10.9, PLT
4	4	EACH	BTC08100	BOLT, HEX, 8 x 1.25 x 100mm, 10.9, PLT
3	1	EACH	BMC67206	BKT, SPACER, BLOCK, 1.45", TPK61070
2	1	EACH	BMC67131	BKT, MAIN, WELDMT, 6.7L, ISB, COMP, 3
1	1	EACH	BEL61511	Belt, 6gr, 1511mm (59.5") (6060595)

Parts List

DRAWN
vjakowlew 7/22/2021
CHECKED
Jose Rodriguez 7/22/2021
RELEASED TO PRODUCTION 07/22/2021 VAL
OR
James Stewart 7/22/2021
APPROVED
James Stewart 7/22/2021
Dale Mason 7/22/2021



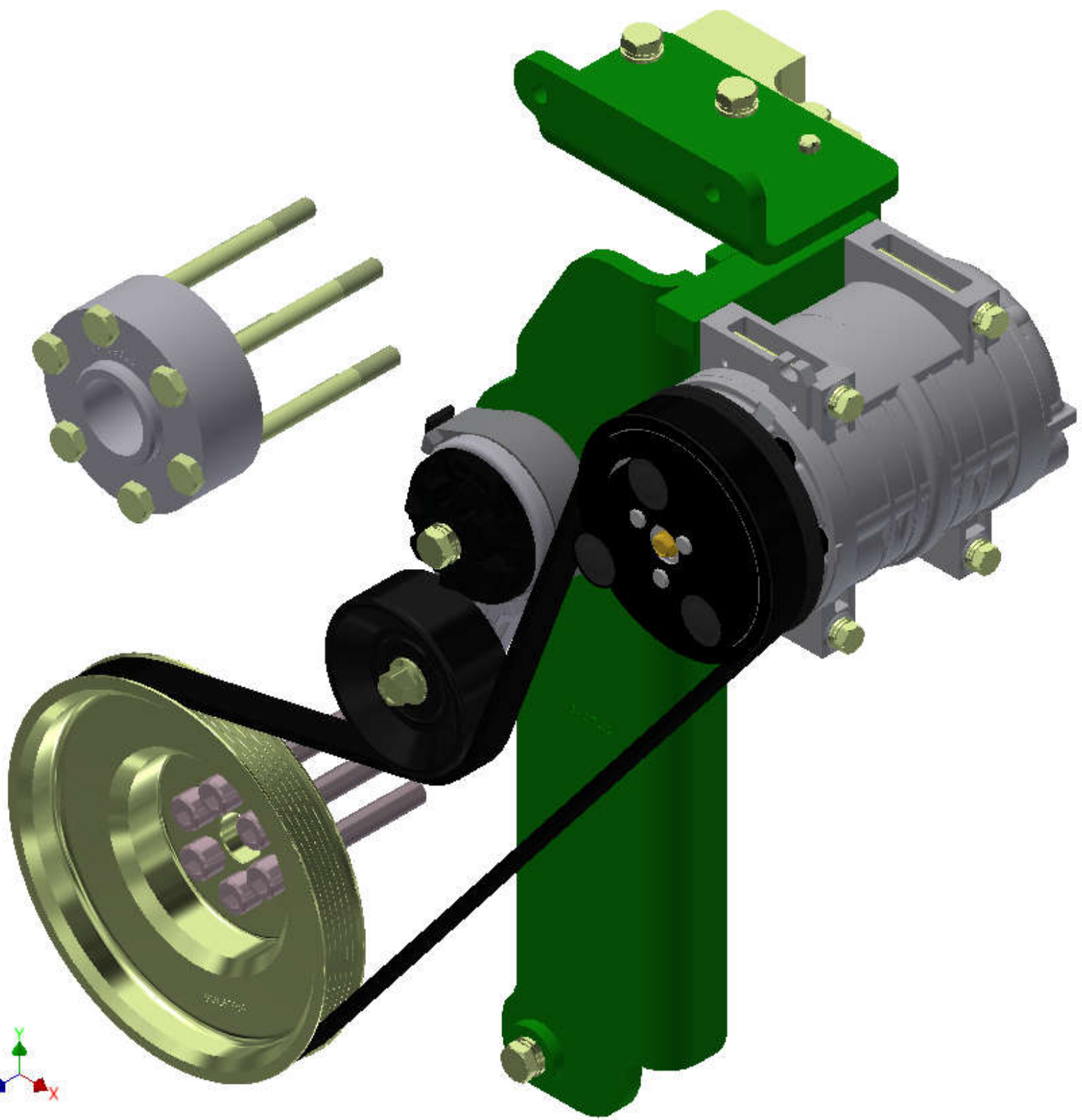
TITLE
MT. KIT, ISB, 6.7L, BBCV, TM-16, '19

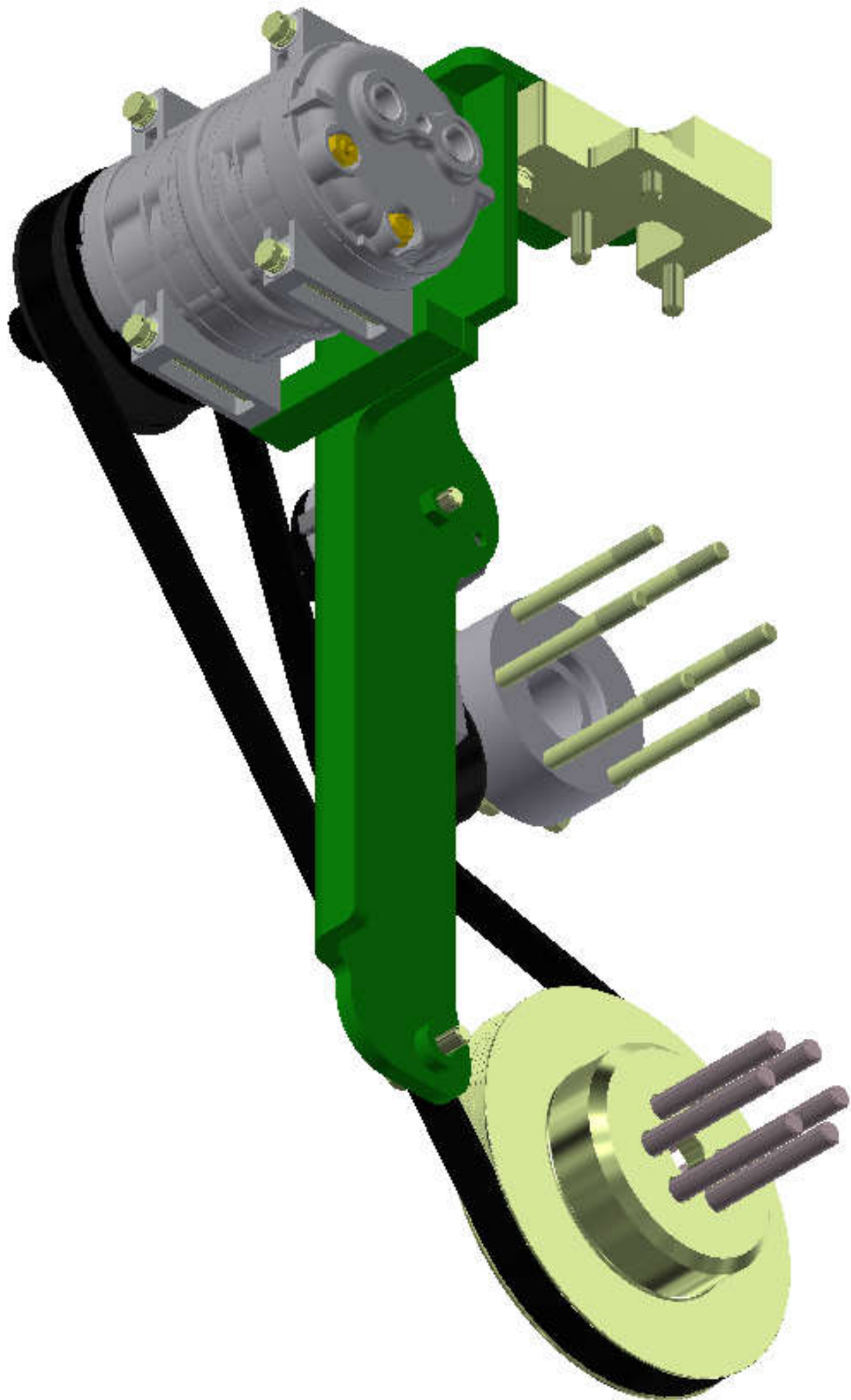
REV	ECN	DESCRIPTION	DATE	BY
1		ISSUED FOR BUIL	07/22/2021	VAL
0		RELEASED TO PRODUCTION	07/22/2021	VAL

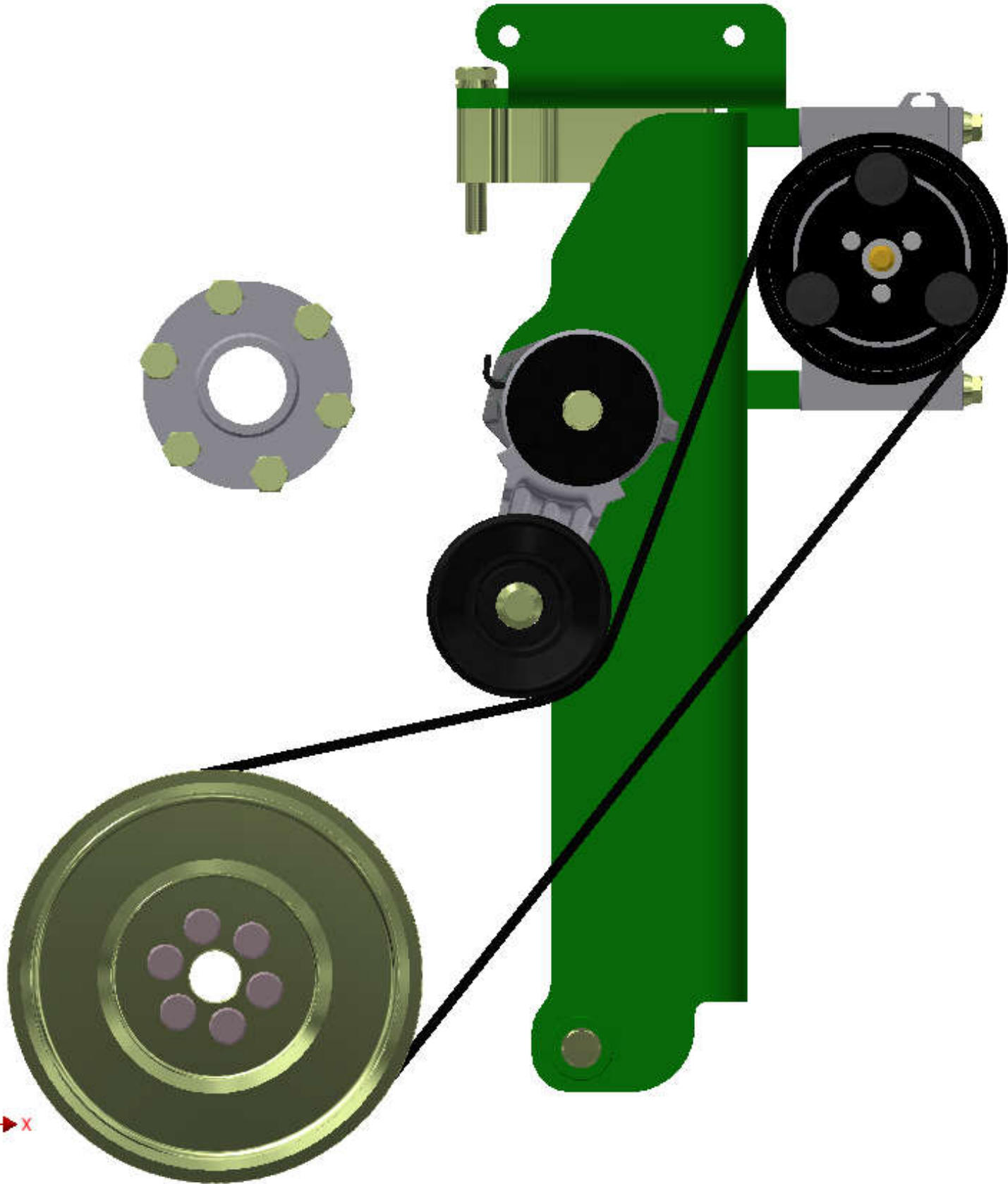
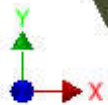
UNSPECIFIED TOLERANCES:
ONE DECIMAL PLACE (X) .1mm (X)
TWO DECIMAL PLACE (XX) .01mm (X)
THREE DECIMAL PLACE (XXX) .005mm (X)
FRACTIONAL (1/16") .0625mm (X)
ALL DIMS IN INCH
DIMENSIONS ARE TO UNLESS OTHERWISE SPECIFIED

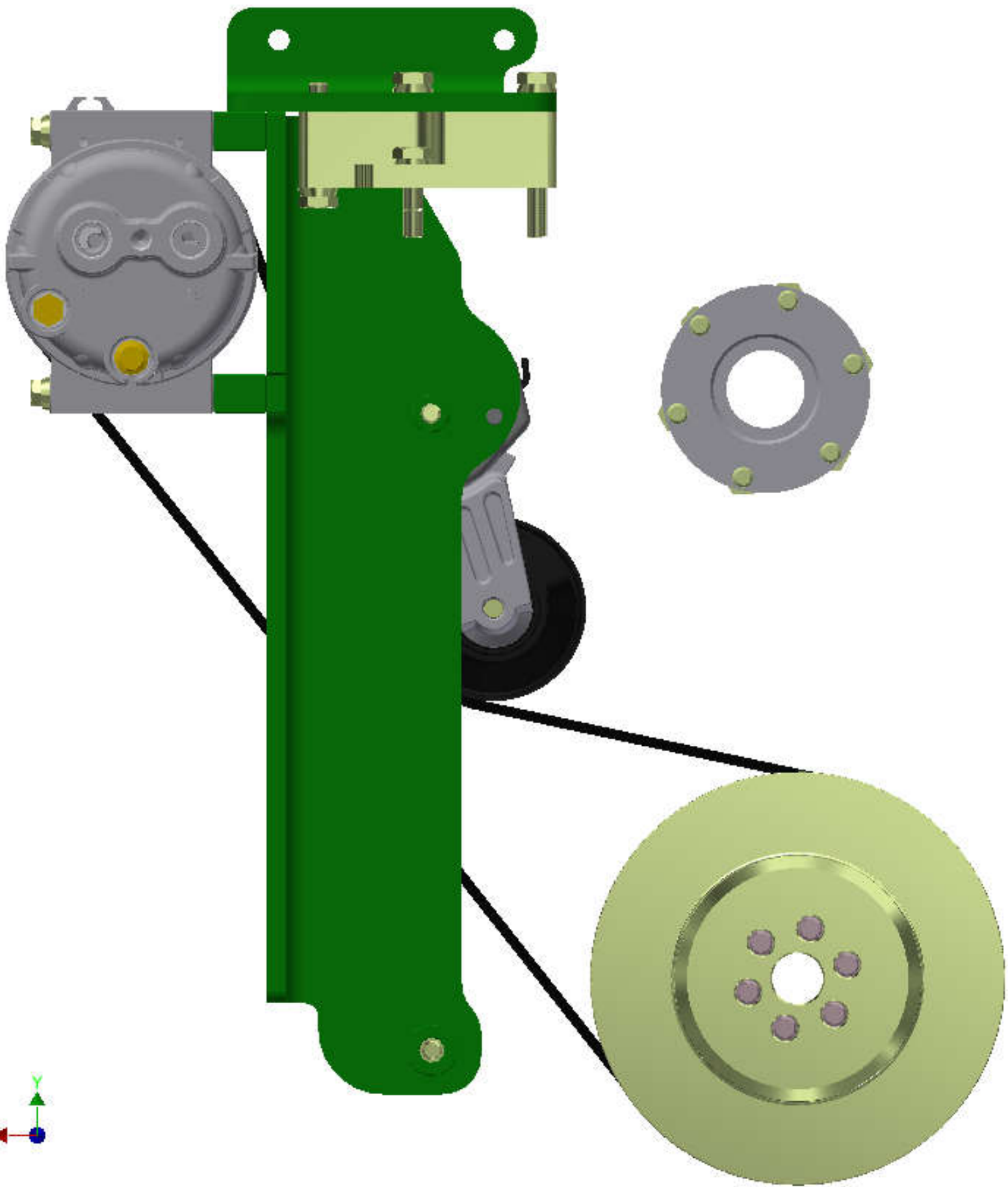


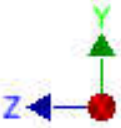
DWG NO
TPK61070
SCALE
SHEET 1 OF 1

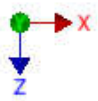
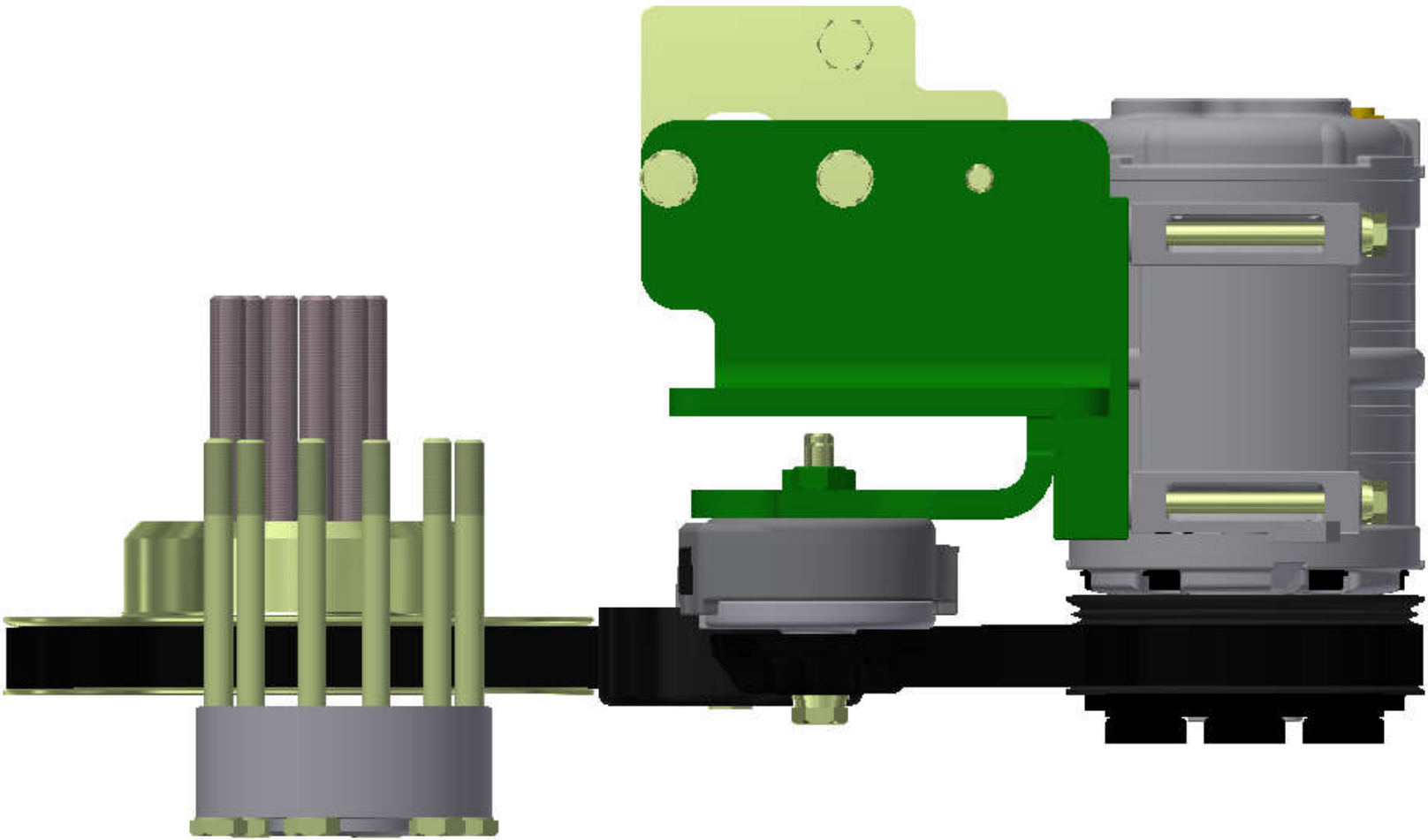












TransArctic A/C Compressor Mount Installation Disclaimer

All compressor mounts should be installed by qualified and trained personnel using proper tools and equipment in safe working conditions following industry standard guidelines for motor vehicle service and repair.

The installer of any compressor mount purchased from TransArctic must undertake all responsibility of issues arising from that compressor bracket being installed on any vehicle. As well as insure that a **proper and sufficient ground** is established between the compressors' clutches and the vehicle's engine. Mount functionality, operation and durability can all be compromised by an incompetent installation.

Due to the many different situations, parameters and application criteria, which are beyond the compressor mount manufacturer's control, TransArctic does not warrant design, durability, or operational functionality of any compressor mount improperly installed by another party.

With no implied guarantees it is the mount installer's strict responsibility to determine safety and functionality, of the compressor mount, at the time of installation.

Please contact TransArctic with any issue arising from installation so we may better improve the product. If you have any reservations about the compressor mount integrity contact TransArctic immediately at 1-877-COLD-AIR.

Mark OEM tensioner location

Install Kit

Check for Interferences

Check to ensure that the proper OEM tensioner orientation is maintained

Run engine with A/C system engaged for at least 10 minutes to run in belt

Check OEM tensioner orientation and adjust as required

Responsabilidad limitada de TransArctic en la instalación del soporte del compresor

Todos los soportes de los compresores deben ser instalados por personas calificadas y entrenadas, usando para ello los equipos y herramientas necesarios para esta labor en buenas condiciones y según las normas y guías para el servicio y/o reparación de motores de vehículos.

El instalador de los soportes comprados en TransArctic asume toda la responsabilidad de cualquier problema que surga en el soporte del compresor al vehículo; de igual manera es responsable que el cable a tierra sea conectado entre el embrague del compresor y el motor del vehículo.

Se advierte que el buen funcionamiento y la durabilidad del soporte pueden ser comprometidos por defectos en su instalación.

Debido a las diversas situaciones que se puedan presentar fuera del control del fabricante, TransArctic no garantiza el diseño, la durabilidad o el correcto funcionamiento de cualquier equipo inapropiadamente instalado por terceros.

Esta sobreentendido que el Instalador del montaje del compresor es estrictamente responsable de la seguridad y funcionamiento del equipo en el momento de la instalación.

Si tuviera algún problema o duda acerca de la instalación del soporte del compresor pongase en contacto inmediatamente con TransArctic al teléfono 1-877-COLD-AIR de modo que podamos mejorar nuestro producto.

Note la ubicación del medidor de tensión OEM

Instale el equipo

Controlar si hay interferencias.

Asegurese que el medidor de tensión mantenga la orientación justa.

Encienda el motor por lo menos 10 minutos con el sistema A/C enganchado para que la correa corra

Controle la orientación justa del medidor de tensión y ajuste a las condiciones requeridas del fabricante