

# Bill of Materials Listing

TransArctic Canada Inc.

7/6/2017  
Page 1 of 1

Product Number	Description	Date	Weight	Uof M	Yield
Line    Component    Prod#	Description	Bin                    Unit	Qty		
<b>KMC93995</b>	<b>Mt Kit, ISL-D, HDX, 4xFC, '16</b>		<b>4/24/2017</b>	<b>147.49</b>	<b>0</b>
10	BEL32389		Belt, Banded B gr, 2388mm (94")	each	1
20	BMC83125		Bkt, Weldm't, Adapter PI, ISL, HDX, '13	each	1
30	BMC90012		Bkt, Weldm't, Main Base, HDX, '16'	each	1
40	BMC90022		Bkt, Main, Idler, Weldm't, ISL, HDX, '16	each	1
50	KCB83994		Kit, Compressor, PS, 4xFC, '13	each	1
60	KPC89022		Kit, Pulley, ISL, 8.9L, 2B/X,'13	each	1
70	PUA05001		Pulley, Assy, Idler, B/S, 5", Stl, Plt	each	1
80	PUA05012		Pulley, Assy, Idler,B/BX gr,5", STL,Plt	each	1
90	SCD16012		Spacer, Col, Drl,16 mm x 34.9o x 12.3i	each	1
100	SCD21912		Spacer, Col, Drl,21.9mm x 25.4o x 12.3i	each	1
110	SLV17012		Sleeve, Pulley, 16.9o x 22.23mm x 12.32i	each	2
120	KBC94195		Bag Kit, Fasteners,KMC94195 & Others.	each	1

# Bill of Materials Listing

TransArctic Canada Inc.

6/23/2017  
Page 1 of 1

Product Number		Description	Bin	Date	Weight	Uof M	Yield
Line	Component Prod#	Description		Unit	Qty		
<b>KBC94195</b>		<b>Bag Kit, Fasteners,KMC94195 &amp; Others.</b>		<b>6/1/2016</b>	<b>2.36</b>		<b>0</b>
10	BTC10045	Bolt, Hex, 10 x 1.5 x 45mm, 10.9, Plt,FT		each	3		
20	BTC12080	Bolt, Hex, 12 x 1.75 x 80mm, 10.9,Plt,FT		each	2		
30	BTQ06175	Bolt, Hex, 3/8-16unc, 1.75", 8, Plt		each	5		
40	BTQ08125	Bolt, Hex, 1/2-13unc, 1.25", 8, Plt		each	2		
50	BTQ08151	Bolt, Hex, 1/2-20unf, 1.5", 8, Plt		each	2		
55	CSF08101	Capscrew, FH, 1/2-20unf x 1.0",Alloy,Plt		each	4		
60	NTA10000	Nut, Hex, 10 x 1.5, 8.8, Plt		each	3		
70	NTA12000	Nut, Hex, 12 x 1.75, 8.8, Plt		each	2		
80	NTQ06000	Nut, Hex, 3/8-16unc, 8, Plt		each	5		
90	WFA10002	Washer, Flat, 10mm, Hvy, 8.8, Plt		each	6		
100	WFA12002	Washer, Flat, 12mm, Hvy, 8.8, Plt		each	2		
110	WFS08000	Washer, Flat, 1/2", 8, Plt		each	4		
120	WFS06002	Washer, Flat, 3/8", L9, Plt		each	10		
130	WLA10000	Washer, Lock, 10mm, 8.8, Plt		each	3		
140	WLA12000	Washer, Lock, 12mm, 8.8, Plt		each	2		
150	WLQ06000	Washer, Lock, 3/8", 8, Plt		each	5		
160	WLQ08000	Washer, Lock, 1/2", 8, Plt		each	4		

# Bill of Materials Listing

TransArctic Canada Inc.

7/6/2017  
Page 1 of 1

Product Number	Description	Date	Weight	Uof M	Yield
Line    Component    Prod#	Description	Bin            Unit	Qty		
<b>KCB83994</b>	<b>Kit, Compressor, PS, 4xFC, '13</b>		<b>11/14/2013</b>	<b>54.71</b>	<b>0</b>
10 BMN80008	Vibration Isolator, Bar,16.50 x 2 x 1.50	each	2		
20 BMN80025	Bkt, Back, PL, Slide, IC, RE300	each	1		
30 BMZ00043	Bkt, Main, Base Pl, '13	each	1		
40 KBT83990	Kit, Platform, 4xFCY, '12	each	1		
50 KBZ83994	Bag Kit, Fasteners, KCB83994	each	1		

# Bill of Materials Listing

TransArctic Canada Inc.

4/26/2017  
Page 1 of 1

Product Number	Description	Date	Weight	Uof M	Yield
Line    Component    Prod#	Description	Bin                    Unit	Qty		
<b>KBZ83994</b>	<b>Bag Kit, Fasteners, KCB83994</b>		<b>11/14/2013</b>	<b>1.06</b>	<b>0</b>
10 BTP08653	Bolt, Hex, 1/2-13unc, 6.5", 5, Plt, FT	each	1		
20 BTQ08101	Bolt, Hex, 1/2-20unf, 1.00", 8, Plt	each	4		
30 CSF08076	Capscrew, FH, 1/2-20unf x .75", Alloy, Plt	each	2		
40 WFQ08000	Washer, Flat, 1/2", 8, Plt	each	4		
50 WLQ08000	Washer, Lock, 1/2", 8, Plt	each	5		

# Bill of Materials Listing

TransArctic Canada Inc.

4/26/2017  
Page 1 of 1

Product Number	Description		Date	Weight	Uof M	Yield
Line    Component    Prod#	Description	Bin	Unit	Qty		
<b>KBT83990</b>	<b>Kit, Platform, 4xFCY, '12</b>		<b>2/17/2009</b>	<b>15.25</b>		<b>0</b>
10	BMN80031		Bkt, Main, Slide, Assy, 05K, IC, RE300	each	1	
20	BMZ00036		Bkt, Adaptor, Weld't, 4xFCY	each	1	
30	KBZ00010		Bag Kit, Fasteners, KBT84094/83990	each	1	

# Bill of Materials Listing

TransArctic Canada Inc.

4/26/2017  
Page 1 of 1

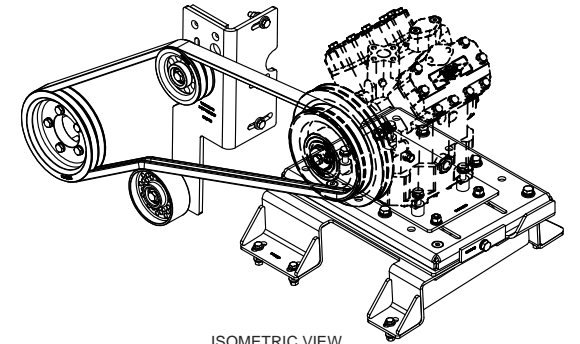
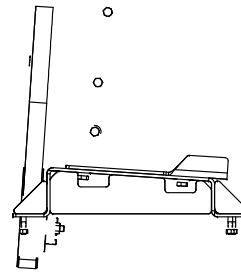
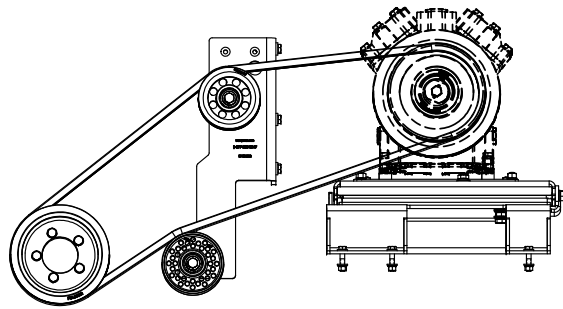
Product Number	Description	Date	Weight	Uof M	Yield
Line    Component    Prod#	Description	Bin            Unit	Qty		
<b>KBZ00010</b>	<b>Bag Kit, Fasteners, KBT84094/83990</b>		<b>11/6/2013</b>	<b>1.23</b>	<b>0</b>
10	BTC12040		Bolt, Hex, 12 x 1.75 x 40mm, 10.9,Plt,FT	each	4
15	BTC12060		Bolt, Hex, 12 x 1.75 x 60mm, 10.9,Plt,FT	each	4
20	NTP07000		Nut, Hex, 7/16-14unc, 5, Plt	each	4
30	WFA12000		Washer, Flat, 12mm, 8.8, Plt	each	8
40	WFN07000		Washer, Flat, 7/16", 2, Plt	each	4
50	WLA12000		Washer, Lock, 12mm, 8.8, Plt	each	4
60	WLP07000		Washer, Lock, 7/16", 5, Plt	each	4

# Bill of Materials Listing

TransArctic Canada Inc.

6/17/2016  
Page 1 of 1

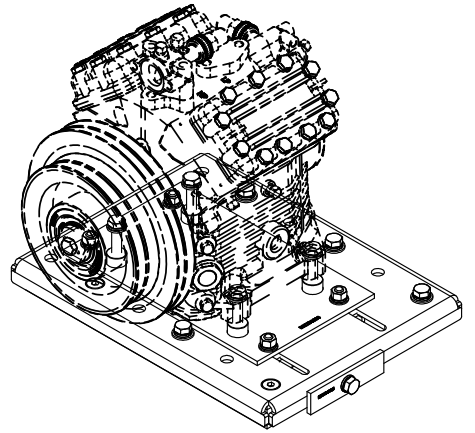
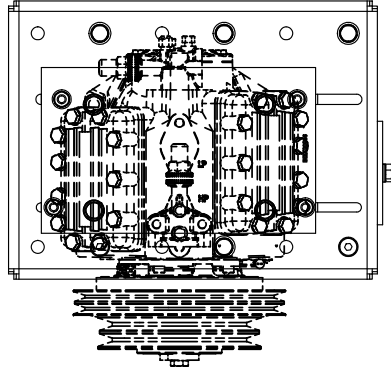
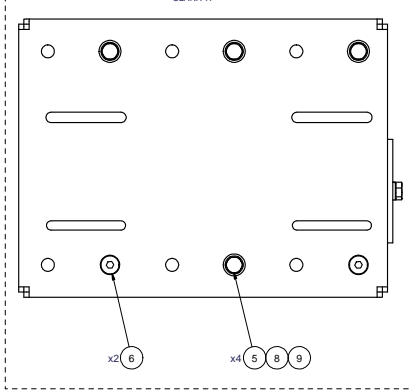
Product Number		Description	Bin	Date	Weight	Uof M	Yield
Line	Component Prod#	Description		Unit	Qty		
<b>KPC89022</b>		<b>Kit, Pulley, ISL, 8.9L, 2B/X,'13</b>		<b>10/15/2013</b>	<b>11.51</b>		<b>0</b>
10	PUL89022	Pulley, Crank, ISL, 8.9L, 2B/X, 8", '13		each	1		
20	BTC10050	Bolt, Hex, 10 x 1.5 x 50mm, 10.9, Plt		each	5		
30	WFA10000	Washer, Flat, 10mm, 8.8, Plt		each	5		



ISOMETRIC VIEW

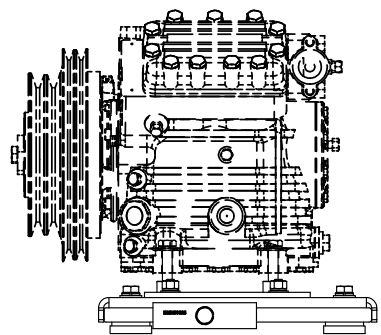
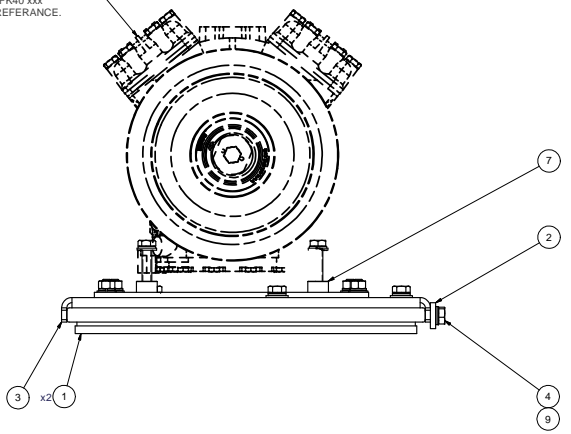
**TOP VIEW**

PARTS REMOVED FOR CLARITY.



**ISOMETRIC VIEW**

NOTE:  
SHOWING COMPRESSOR  
4xFCY OR  
FK40 xxx  
AS REFERENCE.



- NOTES:**
- 1) USE SERVICABLE THREADLOCKER ON ALL FASTENERS TO ENGINE COMPONENTS AND TORQUE **ALL** BOLTS TO S.A.E. SPECIFICATIONS.
  - 2) SEE "TRANSARGTIC A/C COMPRESSOR MOUNT INSTALLATION DISCLAIMER".
  - 3) WEIGHT: 50.93 LBS.

ITEM	QTY	U/M	PART NUMBER	DESCRIPTION
9	5	EACH	WLO08000	WASHER, LOCK, 1/2", 8, PLT
8	4	EACH	WFO08000	WASHER, FLAT, 1/2", 8, PLT
7	1	EACH	KBT83990	MT KIT, TRANSIT, 4xFCY, '12
6	2	EACH	CSF08076	CAPSCREW, FH, 1/2-20UNF x .75", ALLOY, PLT
5	4	EACH	BTQ08101	BOLT, HEX, 1/2-20UNF x 1.00, 8, PLT
4	1	EACH	BTP08653	BOLT, HEX, 1/2-13UNC x 6.50, 5, PLT, FT
3	1	EACH	BMZ00043	BKT, MAIN, BASE PL, '13
2	1	EACH	BMN80025	BKT, BACK, PL, SLIDE, IC, RE300
1	2	EACH	BMN80008	VIBRATION ISOLATOR, BAR, 1A, 50 x 2 x 1.50

**BILL OF MATERIALS**

DRAWN	JRodriguez	03/03/15		
CHECKED	Jose Rodriguez	03/03/15		
REV	ECN	DESCRIPTION	DATE	BY
		RELEASED TO PRODUCTION	03/03/15	JR
				GA
				James Stewart
				MFG
				James Stewart
				APPROVED
				Dale Mason
				03/03/15



**TITLE**  
KIT, COMPRESSOR, 12V, PS, FK40/  
4xFC, '13

**SIZE**  
D  
**DWG NO**  
KCB83994  
**REV**  
0

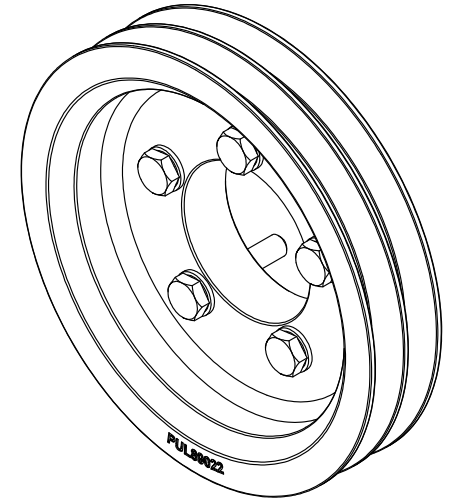
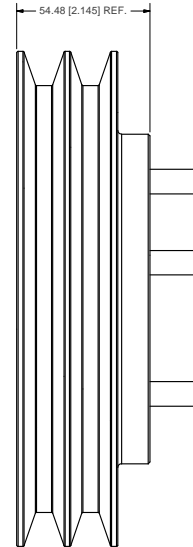
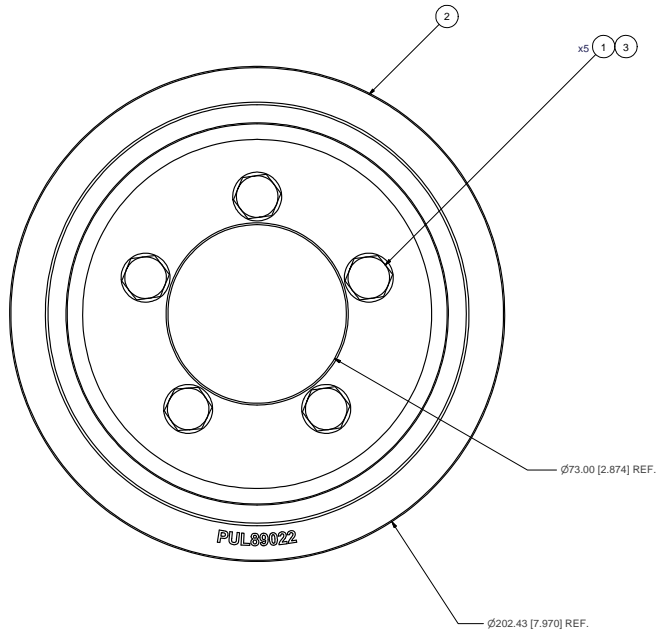
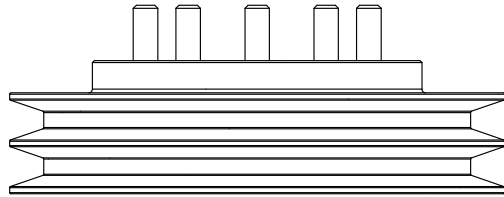
<b>UNSPECIFIED TOLERANCES:</b>		PLT .004	FINISH
ONE DECIMAL PLACE (.X)	.005	SPR	
TWO DECIMAL PLACE (.XX)	.002	DR	
THREE DECIMAL PLACE (.XXX)	.001	DR	
FRACTIONAL (1/16")	.001	DR	
ANGULAR	± .01		



DRAWING UNIT OF MEASURE: MM (INCH)

SCALE: 1:3  
SHEET 1 OF 1





ISOMETRIC VIEW

**NOTES:**

- 1) USE SERVICABLE THREADLOCKER ON ALL FASTENERS TO ENGINE COMPONENTS AND TORQUE ALL BOLTS TO S.A.E. SPECIFICATIONS.
- 2) SEE "TRANSARCTIC A/C COMPRESSOR MOUNT INSTALLATION DISCLAIMER".
- 3) WT:≈ 11.56 LBS

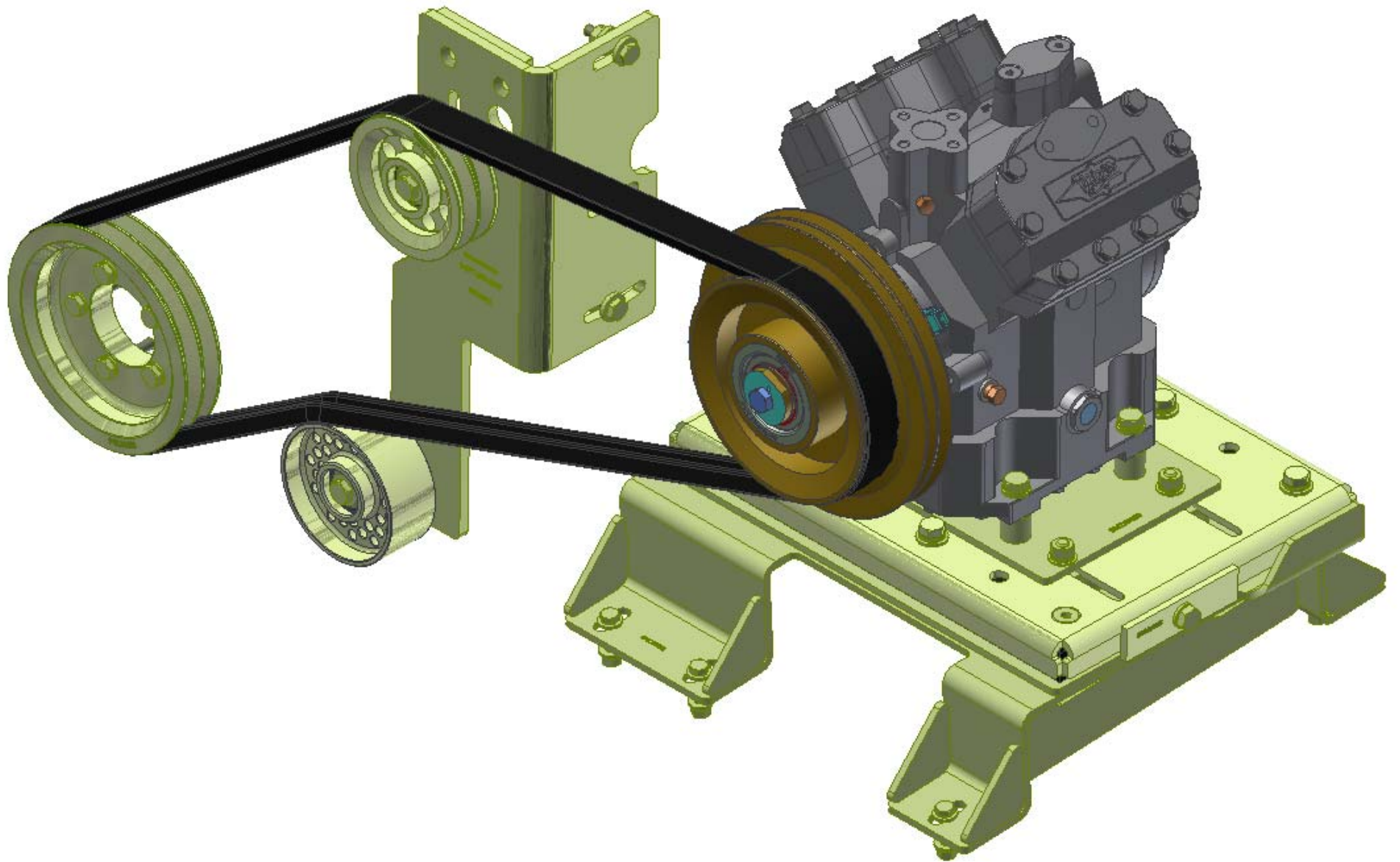
ITEM	QTY	U/M	PART NUMBER	DESCRIPTION
3	5	EACH	WFA10000	WASHER, FLAT, 10mm, 8.8, PLT
2	1	EACH	PUL89022	PULLEY, CRANK, ISL, 8.9L, 2B/X, 8", '13
1	5	EACH	BTCT0050	BOLT, HEX, 10 x 1.5 x 50mm, 10.9, PLT

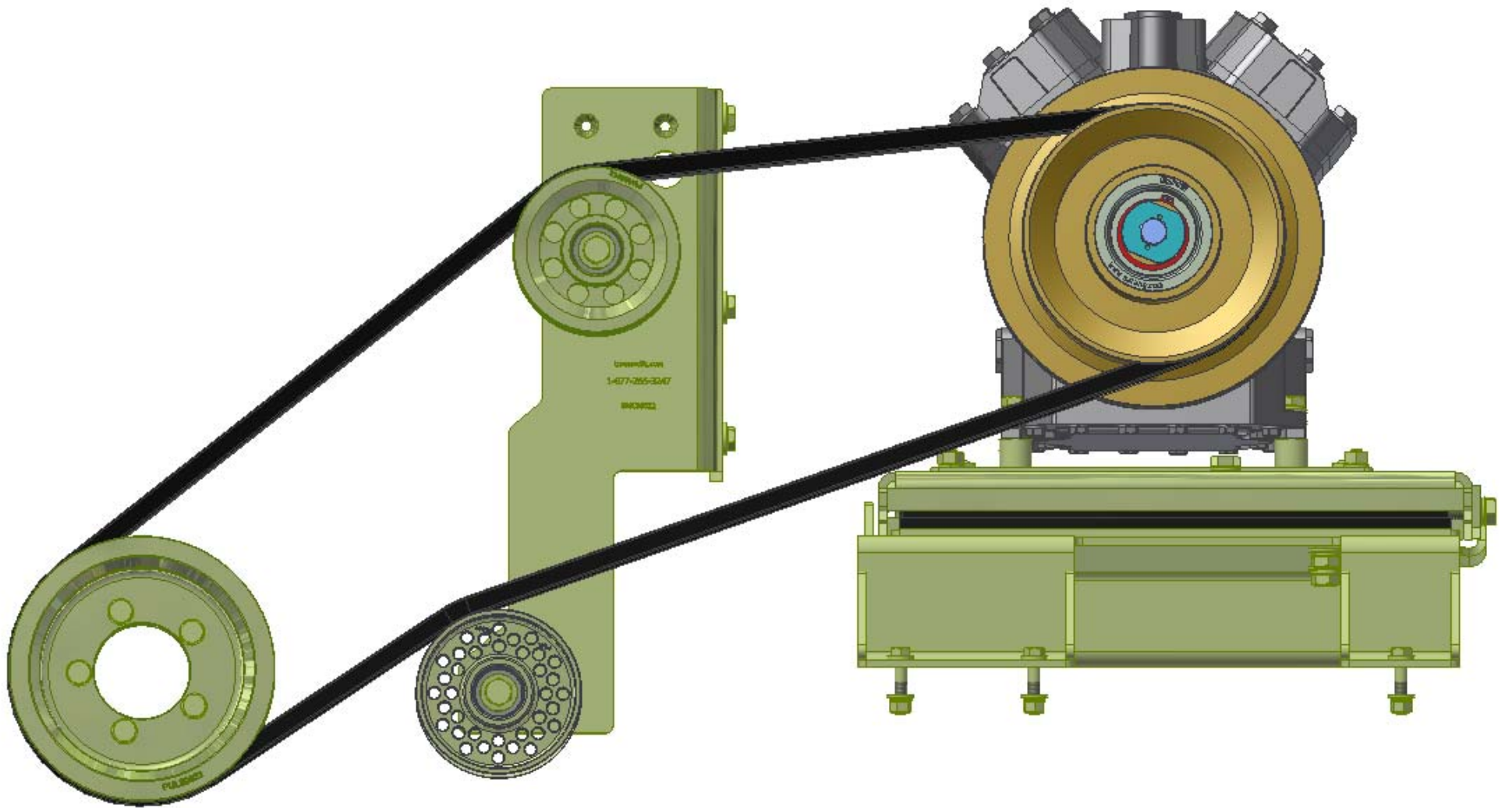
**BILL OF MATERIALS**

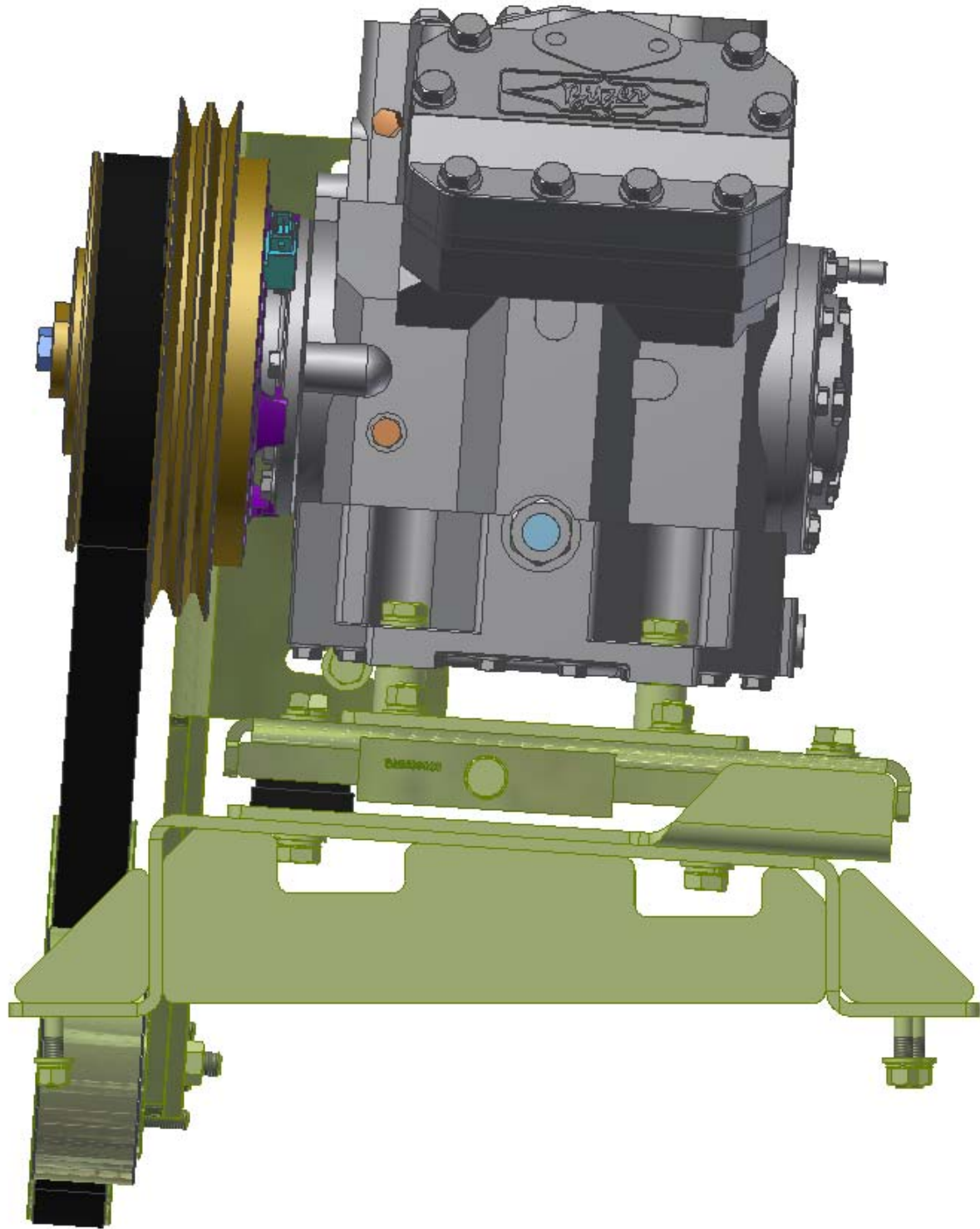
DRAWN	10/15/2013	<b>TRANSARCTIC INC.</b>		
Checked	10/15/2013			
REV	DESCRIPTION	DATE	BY	TITLE
0	RELEASED TO PRODUCTION	10/15/2013	JRB	GA
1		10/15/2013	James Stewart	
2		10/15/2013	RIF	
3		10/15/2013	Ron Ingram	KIT, PULLEY, ISL, 8.9L, 2B/X, '13
4		10/15/2013	Dale Mason	

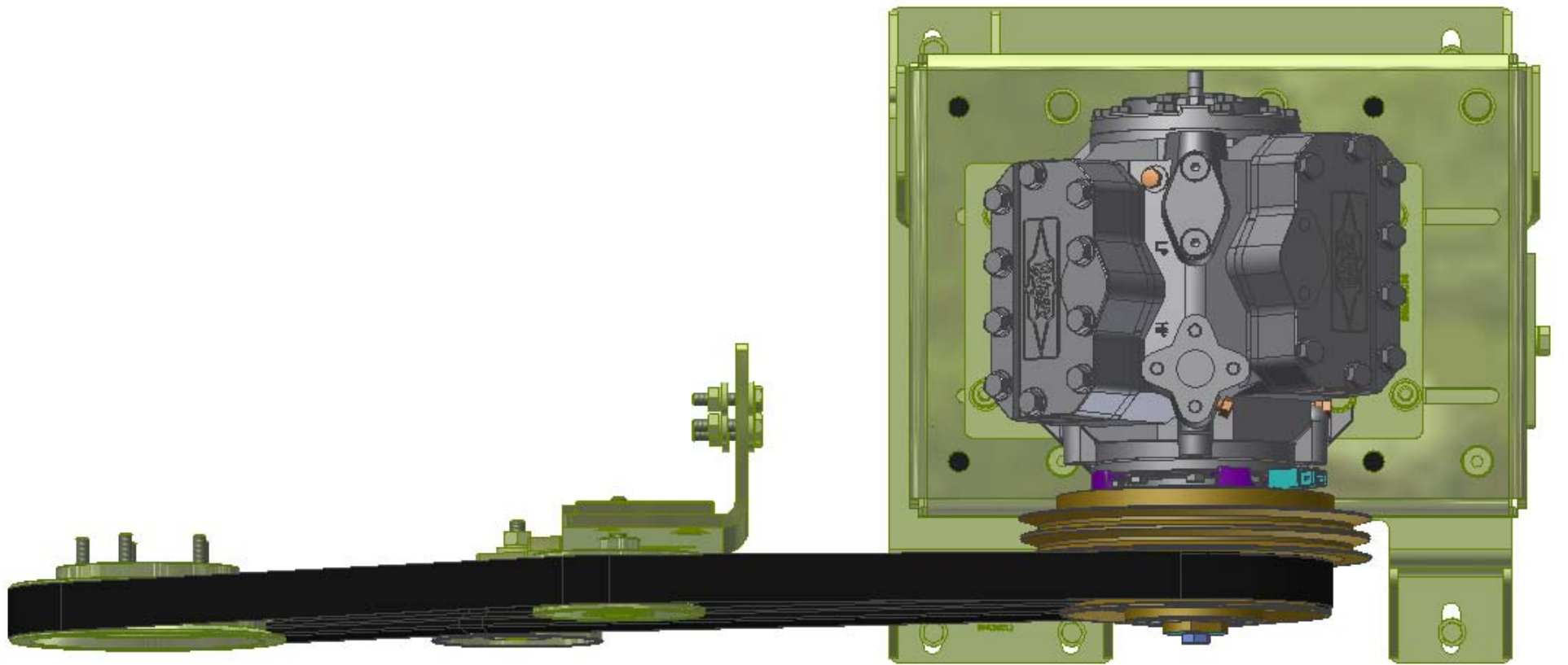
UNSPECIFIED TOLERANCES:		MM (INCH)
ONE DECIMAL PLACE (X0)	±0.10 (±0.004)	
TWO DECIMAL PLACE (X00)	±0.02 (±0.0008)	
THREE DECIMAL PLACE (X000)	±0.002 (±0.00008)	
FRACTIONAL (1/16")	±0.005 (±0.0002)	
THIRD ANGLE PROJECTION		

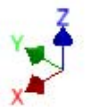
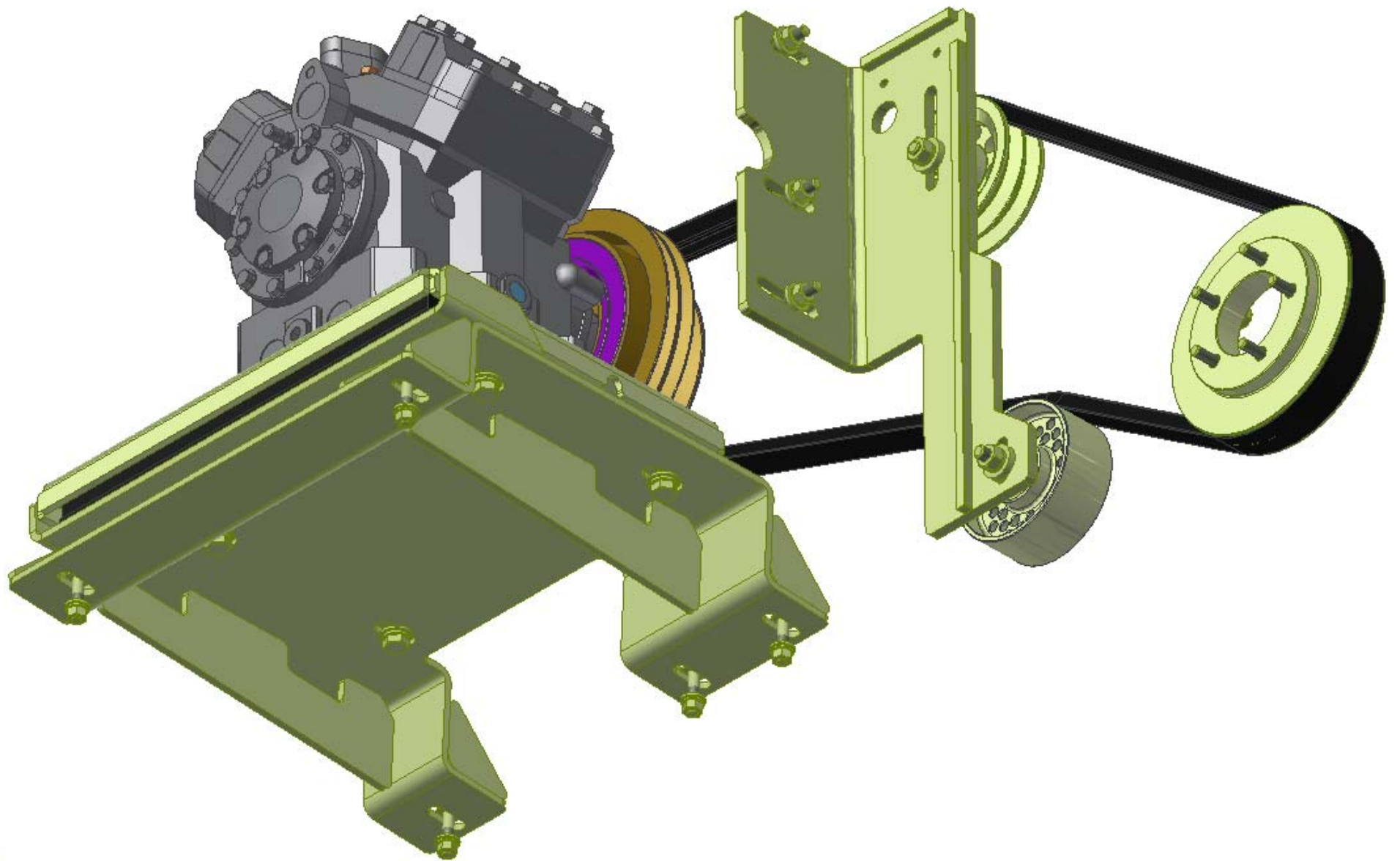
DWG NO	REV
D	0
KPC89022	
SCALE 1:1	SHEET 1 OF 1











## **TransArctic A/C Compressor Mount Installation Disclaimer**

All compressor mounts should be installed by qualified and trained personnel using proper tools and equipment in safe working conditions following industry standard guidelines for motor vehicle service and repair.

The installer of any compressor mount purchased from TransArctic must undertake all responsibility of issues arising from that compressor bracket being installed on any vehicle. As well as insure that a **proper and sufficient ground** is established between the compressors' clutches and the vehicle's engine. Mount functionality, operation and durability can all be compromised by an incompetent installation.

Due to the many different situations, parameters and application criteria, which are beyond the compressor mount manufacturer's control, TransArctic does not warrant design, durability, or operational functionality of any compressor mount improperly installed by another party.

**With no implied guarantees it is the mount installer's strict responsibility to determine safety and functionality, of the compressor mount, at the time of installation.**

Please contact TransArctic with any issue arising from installation so we may better improve the product. If you have any reservations about the compressor mount integrity contact TransArctic immediately at 1-877-COLD-AIR.

**Mark OEM tensioner location**

**Install Kit**

**Check for Interferences**

**Check to ensure that the proper OEM tensioner orientation is maintained**

**Run engine with A/C system engaged for at least 10 minutes to run in belt**

**Check OEM tensioner orientation and adjust as required**

### **Responsabilidad limitada de TransArctic en la instalación del soporte del compresor**

Todos los soportes de los compresores deben ser instalados por personas calificadas y entrenadas, usando para ello los equipos y herramientas necesarios para esta labor en buenas condiciones y según las normas y guías para el servicio y/o reparación de motores de vehículos.

El instalador de los soportes comprados en TransArctic asume toda la responsabilidad de cualquier problema que surga en el soporte del compresor al vehículo; de igual manera es responsable que el cable a tierra sea conectado entre el embrague del compresor y el motor del vehículo.

Se advierte que el buen funcionamiento y la durabilidad del soporte pueden ser comprometidos por defectos en su instalación.

Debido a las diversas situaciones que se puedan presentar fuera del control del fabricante, TransArctic no garantiza el diseño, la durabilidad o el correcto funcionamiento de cualquier equipo inapropiadamente instalado por terceros.

**Esta sobreentendido que el Instalador del montaje del compresor es estrictamente responsable de la seguridad y funcionamiento del equipo en el momento de la instalación.**

Si tuviera algún problema o duda acerca de la instalación del soporte del compresor pongase en contacto inmediatamente con TransArctic al teléfono 1-877-COLD-AIR de modo que podamos mejorar nuestro producto.

**Note la ubicación del medidor de tensión OEM**

**Instale el equipo**

**Controlar si hay interferencias.**

**Asegure que el medidor de tensión mantenga la orientación justa.**

**Encienda el motor por lo menos 10 minutos con el sistema A/C enganchado para que la correa corra**

**Controle la orientación justa del medidor de tensión y ajuste a las condiciones requeridas del fabricante**