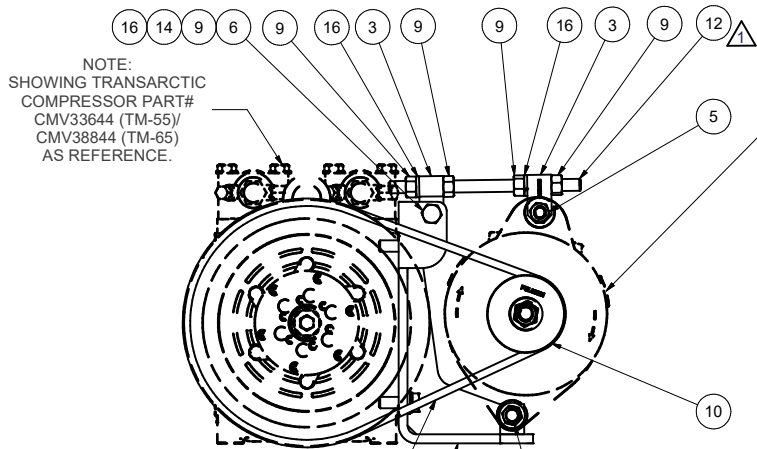
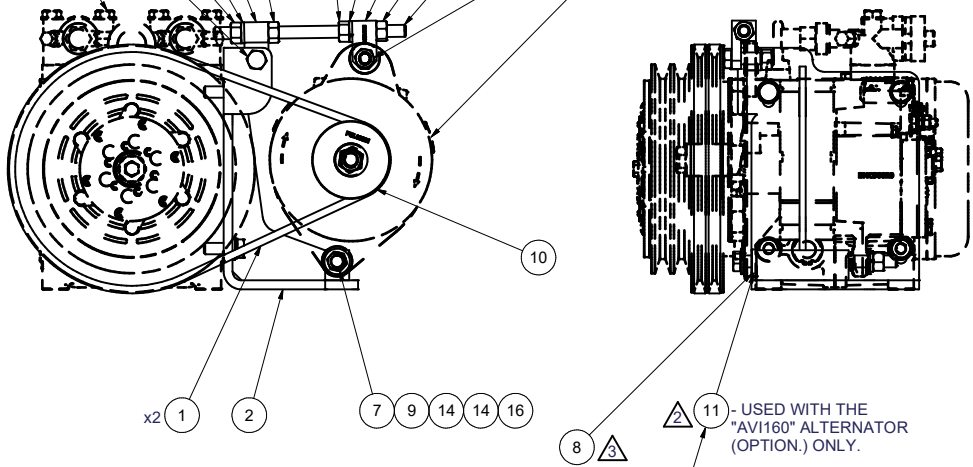


ISOMETRIC VIEW



NOTE:  
SHOWING TRANSARCTIC  
COMPRESSOR PART#  
CMV33644 (TM-55/  
CMV38844 (TM-65)  
AS REFERENCE.

NOTE:  
SHOWING ALTERNATOR  
AS REFERENCE



USE KBA84064 SHIM KIT AS REQUIRED  
TO ALIGN ALTERNATOR PULLEY TO  
COMPRESSOR PULLEY "A" GROOVES.

11 - USED WITH THE  
"AVI160" ALTERNATOR  
(OPTION.) ONLY.

NOTES:

- 1) USE SERVICABLE THREADLOCKER ON ALL FASTENERS TO ENGINE COMPONENTS AND TORQUE **ALL** BOLTS TO S.A.E. SPECIFICATIONS.
- 2) SEE "TRANSARCTIC A/C COMPRESSOR MOUNT INSTALLATION DISCLAIMER".
- 3) WEIGHT: 18.11 LB

16	4	EACH	WLQ08000	WASHER, LOCK, 1/2", 8, PLT
15	4	EACH	WLA12000	WASHER, LOCK, 12mm, 8.8, PLT
14	3	EACH	WFO08000	WASHER, FLAT, 1/2", 8, PLT
13	4	EACH	WFA12000	WASHER, FLAT, 12mm, 8.8, PLT
12	1	EACH	TRD08080	THREADED, ROD, 1/2-13UNC x 8", 5 PLT
11	1	EACH	SCD05513	SPACER, COL, DRL, 5.51mm x 25.4o x 12.7i
10	1	EACH	PUL03321	PULLEY, ALT, IDLER, 3.25"o, 2A
9	6	EACH	NTQ08000	NUT, HEX, 1/2-13UNC, 8, PLT
8	1	EACH	KBA84064	BAG KIT, ALT SHIM, KC84064, KAC65501/02
7	1	EACH	BTQ08653	BOLT, HEX, 1/2-13UNC x 6.50, 8, PLT
6	1	EACH	BTQ08150	BOLT, HEX, 1/2-13UNC x 1.50, 8, PLT
5	1	EACH	BTQ08125	BOLT, HEX, 1/2-13UNC x 1.25, 8, PLT
4	4	EACH	BTC12035	BOLT, HEX, 12 x 1.75 x 35mm, 10.9, PLT
3	2	EACH	BMT10011	BKT, TENR, BLOCK, OFFSET, 3mm
2	1	EACH	BMC90020	BKT, ALT, WELDM'T, CURB SIDE, TM-65/55, '16
1	2	EACH	BEL11118	BELT, A gr, 1040mm (41")
ITEM	QTY	U/M	PART NUMBER	DESCRIPTION

BILL OF MATERIALS

3	ADDED KBA84064 SHIM BAG KIT.	02/03/2022	VALJ	
2	ADDED SCD05513.	05/11/2021	JRR	
1	WAS TRD08060, NOW TRD08080	10/2/2018	JRR	
0	RELEASED TO PRODUCTION.	8/3/2016	JRR	
REV:	ECN:	DESCRIPTION:	DATE:	BY:
THIS DRAWING CONTAINS PROPRIETARY CONFIDENTIAL INFORMATION OWNED BY TRANSARCTIC CANADA INC. THE DOCUMENT AND THE INFORMATION IN IT ARE NOT TO BE USED, DISCLOSED OR REPRODUCED WITHOUT EXPRESS WRITTEN PERMISSION OF THE COMPANY.				
UNSPECIFIED TOLERANCES: [ALT. DIM.]				
ONE DECIMAL PLACE (X)	MM	(INCH)		
TWO DECIMAL PLACE (XX)	.50	[.005]		
THREE DECIMAL PLACE (XXX)	.25	[.010]		
FRACTIONAL (1/32")	.10	[.005]		
	ANGULAR	+/- .50°		
THIRD ANGLE PROJECTION				

DRAWN	vjakowlew	08/03/16
CHECKED	Jose Rodriguez	08/03/16
QA	James Stewart	8/3/2016
MFG	James Stewart	08/03/16
APPROVED	Dale Mason	08/03/16
DRAWING UNIT OF MEASURE:	MM [INCH]	

**TRANSARCTIC INC.**

TITLE  
**KIT, ALTERNATOR, TM-55/65, CURB SIDE, '13**

SIZE: C DWG NO: KAC65501 REV: 3

SCALE: 1:4 SHEET 1 OF 1