

Bill of Materials Listing

TransArctic Canada Inc.

10/3/2005

Page 1 of 1

Product Number		Description	Bin	Date	Weight	Uof M	Yield
Line	Component Prod#	Description		Unit	Qty		
KMK71391		Mt Kit, C7, HDX ER, 1 TM-21, P8		9/28/2005	56.52		0
10	BEL82019	Belt, 8gr, 2019mm (79.5") (5080795)		each	1		
20	BMK70050	Bkt, Main, Hat, Assy, C7, HDX ER, P8		each	1		
30	BMK70023	Bkt, Main, Weldmt, C7, A3RE, P8		each	1		
40	BMK70008	Bkt, Brace, RR, Support, C7, BBRE, P8		each	1		
50	BMK70053	Bkt, Spacer, Pl, C7, HDX, P8		each	1		
60	BMK70054	Bkt, Tie, Pl, C7, HDX, P8		each	1		
70	BMK70026	Bkt, Spacer, Pl, C7, 12" Damper, 3/16"Thk		each	1		
80	BMS60003	Bkt, Cradle, L/H, TM-21, 3126, P8		each	1		
90	BMS60004	Bkt, Cradle, R/H, TM-21, 3126, P8		each	1		
100	PUL71008	Pulley, Crank, C7, P8, 8" dia, .5"		each	1		
110	PUL80076	Pulley, Idler, Backside, P8, 76d (89062)		each	1		
120	PUL81074	Pulley, Idler, Frontside, P8, 74d (89103)		each	2		
130	SLV17010	Sleeve, Pulley, 16.9o x 22.23mm x 10.32i		each	3		
140	SPC19010	Spacer, Col, Drl, 19mm x 28.58o x 10.32i		each	3		
150	SPC28610	Spacer, Col, Drl, 28.6mm x 25.4o x 10.3i		each	1		
160	TEN80002	Tenr, HD Spring, BackSide, CCW (89200A)		each	1		
170	HOF03860	Hose, Fuel, 3/8" ID x 60"lg.		each	1		
180	HOR02002	Hose, Rad, 2" ID, 90 deg		each	1		
190	CLP06001	Clamp, Gear, #6, 3/4 (19mm), S		each	2		
200	KBK71391	Bag Kit, Fasteners, KMK71391		each	1		

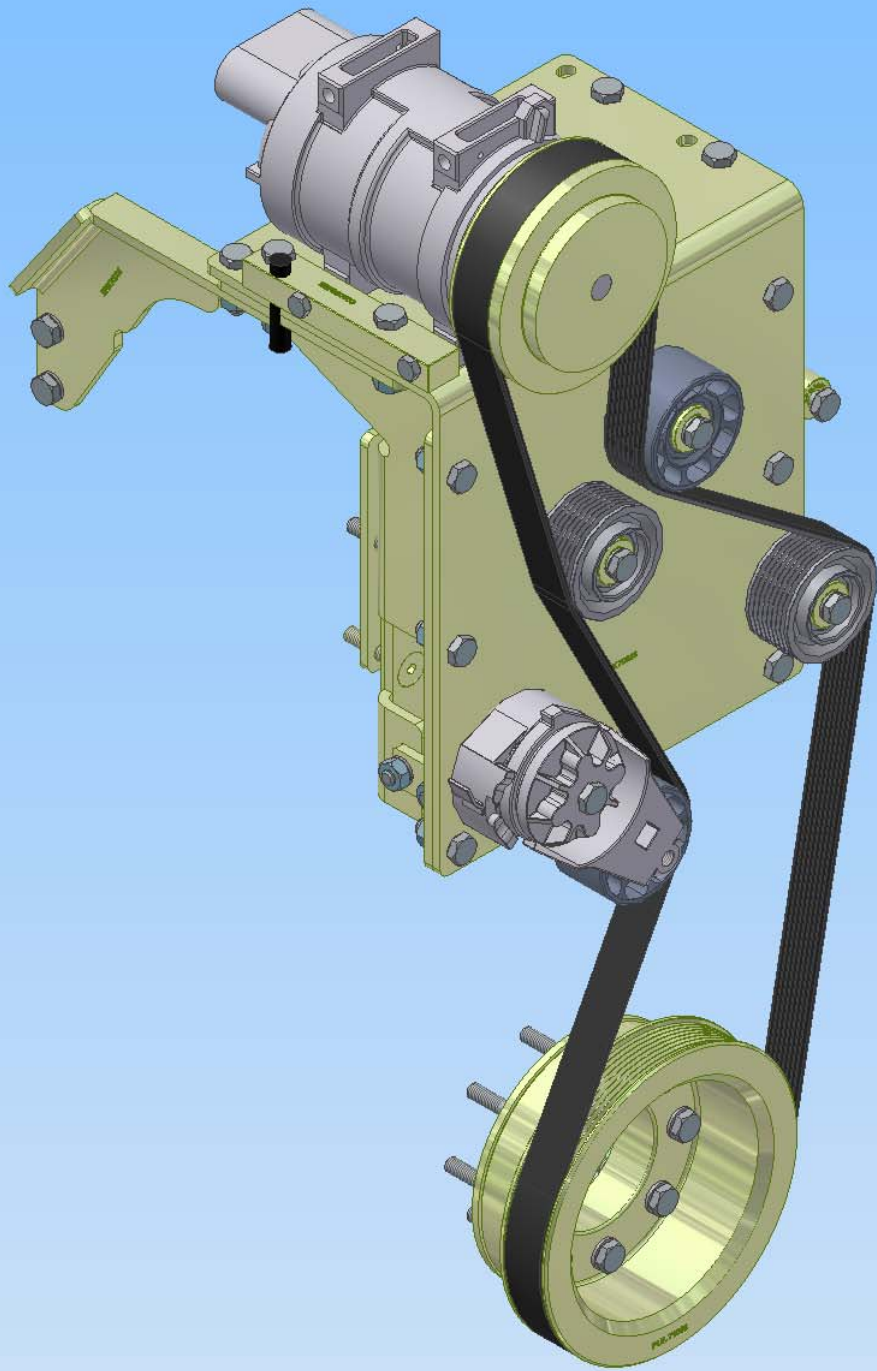
Bill of Materials Listing

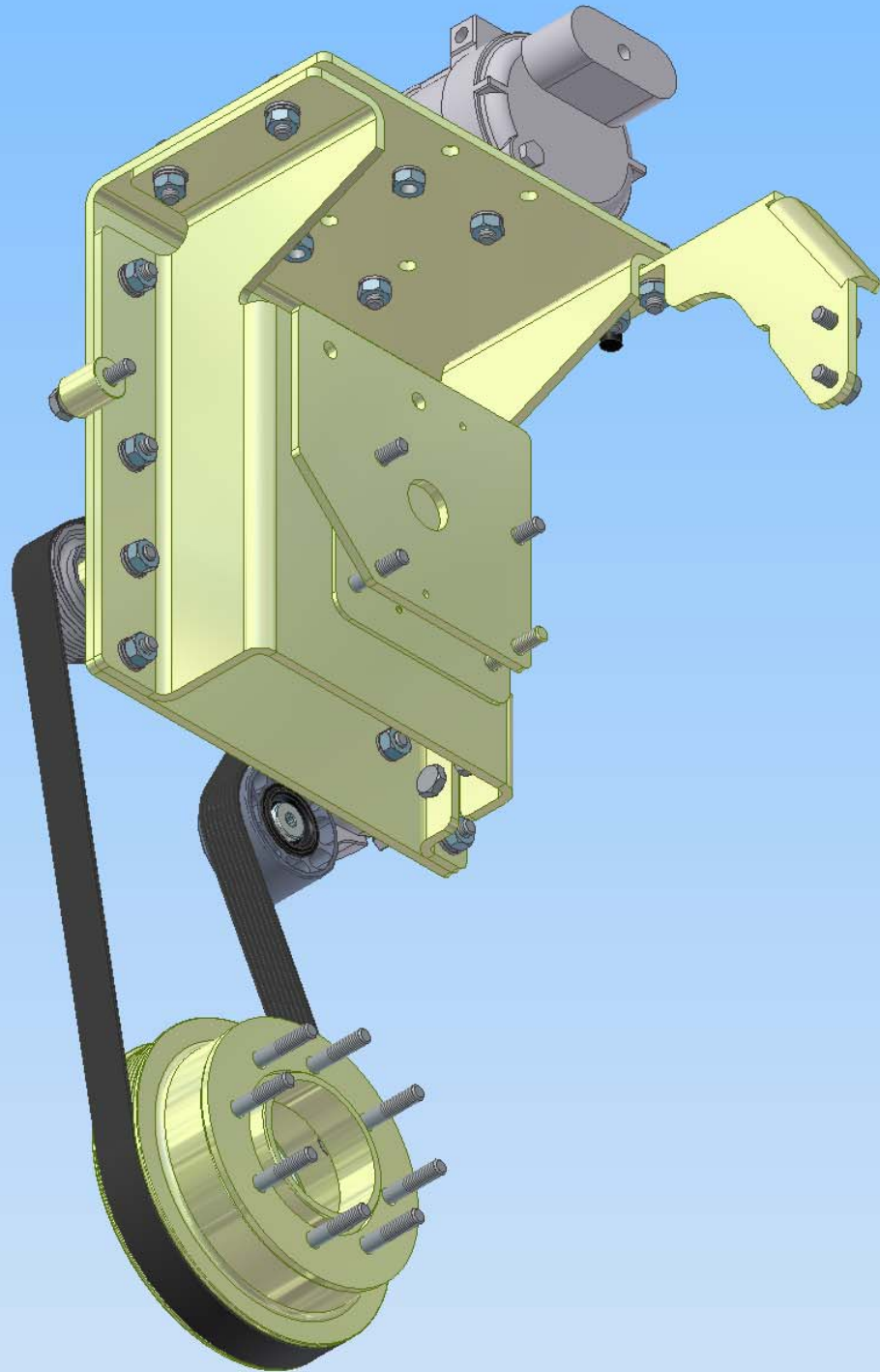
TransArctic Canada Inc.

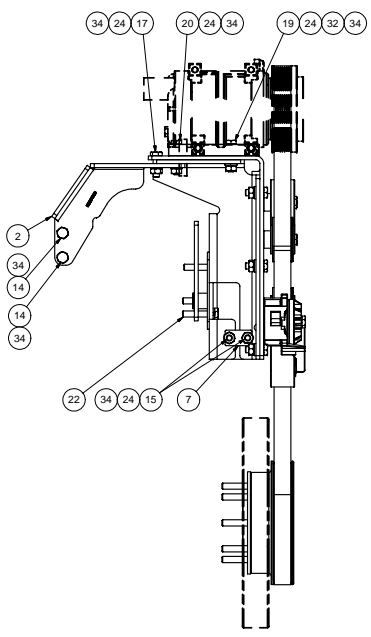
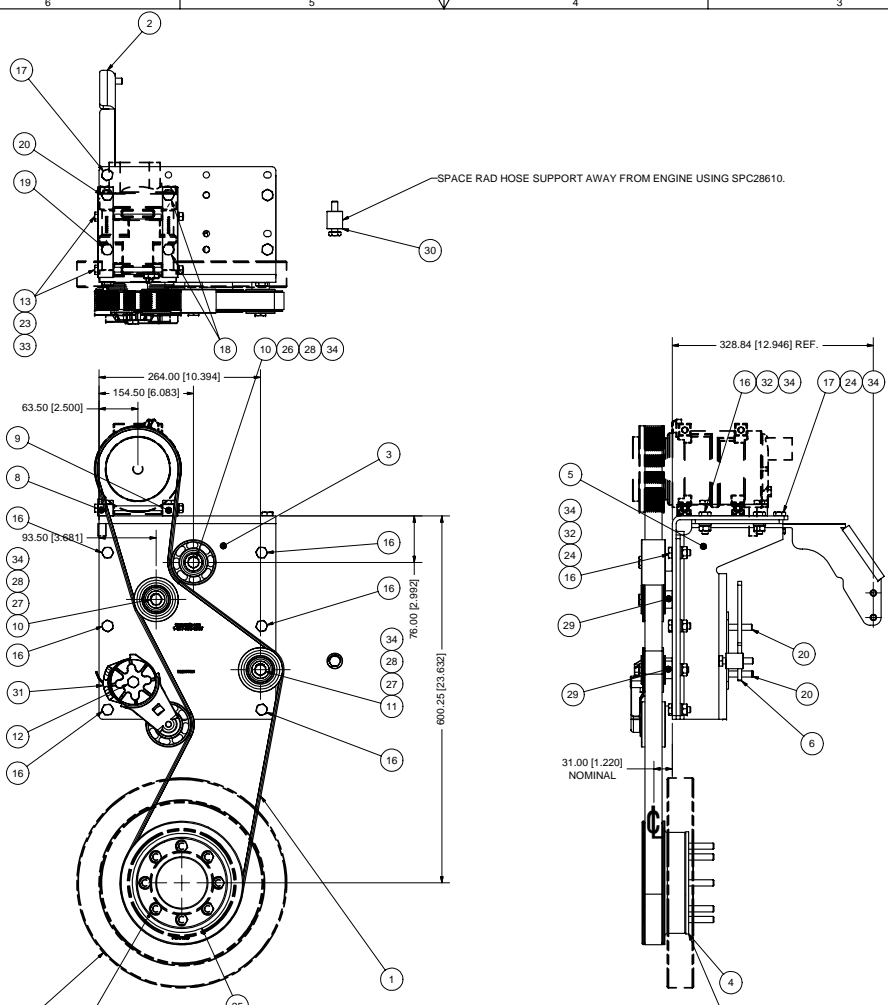
10/3/2005

Page 1 of 1

Product Number		Description	Bin	Date	Weight	Uof M	Yield
Line	Component Prod#	Description		Unit	Qty		
KBK71391		Bag Kit, Fasteners, KMK71391		9/28/2005	3.76		0
10	BTC10065	Bolt, Hex, 10 x 1.5 x 65mm, 10.9, Plt		each	8		
20	BTC10050	Bolt, Hex, 10 x 1.5 x 50mm, 10.9, Plt		each	5		
30	BTC10045	Bolt, Hex, 10 x 1.5 x 45mm, 10.9, Plt		each	1		
40	BTC10040	Bolt, Hex, 10 x 1.5 x 40mm, 10.9, Plt		each	2		
50	BTC10035	Bolt, Hex, 10 x 1.5 x 35mm, 10.9, Plt		each	1		
60	BTC10030	Bolt, Hex, 10 x 1.5 x 30mm, 10.9, Plt		each	8		
70	BTC10025	Bolt, Hex, 10 x 1.5 x 25mm, 10.9, Plt		each	2		
80	BTC10020	Bolt, Hex, 10 x 1.5 x 20mm, 10.9, Plt		each	2		
90	BTA10080	Bolt, Hex, 10 x 1.5 x 80mm, 8.8, Plt		each	1		
100	BTA10075	Bolt, Hex, 10 x 1.5 x 75mm, 8.8, Plt		each	1		
110	BTA10070	Bolt, Hex, 10 x 1.5 x 70mm, 8.8, Plt		each	2		
120	BTC08140	Bolt, Hex, 8 x 1.25 x 140mm, 10.9, Plt		each	2		
130	CSF10051	Capscrew, FH, 10 x 1.5 x 50mm, 10.9,Plt		each	1		
140	NTA10000	Nut, Hex, 10 x 1.5, 8.8, Plt		each	19		
150	NTA08000	Nut, Hex, 8 x 1.25, 8.8, Plt		each	2		
160	WFA10000	Washer, Flat, 10mm, 8.8, Plt		each	10		
170	WLA10000	Washer, Lock, 10mm, 8.8, Plt		each	27		
180	WLA08000	Washer, Lock, 8mm, 8.8, Plt		each	2		







REF: DAMPER Ø342.90 [13.500]
 (NORMALLY DOES NOT GET ITEM# 6 INSTALLED.)
 *** CHECK PULLEY ALIGNMENTS. ***

21 X 8 PLCS.
 TORQUE BOLTS TO 53 FT* LBS.
 USE (8) EXISTING FLAT WASHERS FOR 13 1/2" DIA. DAMPER.
 REMOVE (8) EXISTING FLAT WASHERS FOR 12" DIA. DAMPER/SPACER PLATE ASSY.

SPACE RAD HOSE SUPPORT AWAY FROM ENGINE USING SPC28610.

ISOMETRIC VIEW

ITEM	QTY	UM	PART NUMBER	DESCRIPTION
34	27	EACH	WLA10000	WASHER, LOCK, 10mm, 8.8, PLT
33	2	EACH	WLA08000	WASHER, LOCK, 8mm, 8.8, PLT
32	10	EACH	WFA10000	WASHER, FLAT, 10mm, 8.8, PLT
31	1	EACH	TEN80002	TENR, HD SPRING, BACKSIDE, CCW
30	1	EACH	SPC28610	SPACER, COL, DRL, 28.6mm x25.4o x10.3i
29	3	EACH	SPC19010	SPACER, COL, DRL, 19.05mm x25.4o x10.57i
28	3	EACH	SLV17010	SLEEVE, PULLEY, 16.9o x 22.23mm x 10.32i
27	2	EACH	PUL161074	PULLEY, IDLER, FRONTSIDE, P8, 74d x 39w
26	1	EACH	PUL180076	PULLEY, IDLER, BACKSIDE, P8, 76d, 39W
25	1	EACH	PUL171008	PULLEY, CRANK, C7, P8, 8" DIA, .5"
24	19	EACH	NTA10000	NUT, HEX, 10 x 1.5, 8.8, PLT
23	2	EACH	NTA08000	NUT, HEX, 8 x 1.25, 8.8, PLT
22	1	EACH	CSF10051	CAPSCREW, FH, 10 x 1.5 x 50mm, 10.9, PLT
21	8	EACH	BTC10065	BOLT, HEX, 10 x 1.5 x 65mm, 10.9, PLT
20	5	EACH	BTC10050	BOLT, HEX, 10 x 1.5 x 50mm, 10.9, PLT
19	1	EACH	BTC10045	BOLT, HEX, 10 x 1.5 x 45mm, 10.9, PLT
18	2	EACH	BTC10040	BOLT, HEX, 10 x 1.5 x 40mm, 10.9, PLT
17	1	EACH	BTC10035	BOLT, HEX, 10 x 1.5 x 35mm, 10.9, PLT
16	8	EACH	BTC10030	BOLT, HEX, 10 x 1.5 x 30mm, 10.9, PLT
15	2	EACH	BTC10025	BOLT, HEX, 10 x 1.5 x 25mm, 10.9, PLT
14	2	EACH	BTC10020	BOLT, HEX, 10 x 1.5 x 20mm, 10.9, PLT
13	2	EACH	BTC08140	BOLT, HEX, 8 x 1.25 x 140mm, 10.9, PLT
12	1	EACH	BTA10080	BOLT, HEX, 10 x 1.5 x 80mm, 8.8, PLT
11	1	EACH	BTA10075	BOLT, HEX, 10 x 1.5 x 75mm, 8.8, PLT
10	2	EACH	BTA10070	BOLT, HEX, 10 x 1.5 x 70mm, 8.8, PLT
9	1	EACH	BMS60004	BKT, CRADLE, R/H, TM-21, 3126, P8
8	1	EACH	BMS60003	BKT, CRADLE, L/H, TM-21, 3126, P8
7	1	EACH	BMK70054	BKT, TIE, PL, C7, HDX, P8
6	1	EACH	BMK70053	BKT, SPACER, PL, C7, HDX, P8
5	1	EACH	BMK70050	BKT, MAIN, HAT, ASSY, C7, BBRE, P8
4	1	EACH	BMK70026	BKT, SPACER, PL, C7, 12" DAMPER, 3/16" THK
3	1	EACH	BMK70023	BKT, MAIN, WELDMT, C7, BBRE, P8
2	1	EACH	BMK70008	BKT, BRACE, RR, SUPPORT, C7, BBRE, P8
1	1	EACH	BEL2019	BELT, 8 GR, 2019mm (79.5") (5080795)

TRANSARGTIC INC.

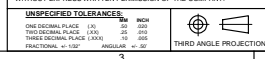
TITLE: MT KIT, C7, HDX-ER, 1 TM-21, P8

SIZE: D DWG NO: KMK71391

SCALE: 1:4 SHEET 1 OF 1

REV	DESCRIPTION	DATE	BY	VAL
0	RELEASED TO PRODUCTION	9/27/2005	GA	
1		9/27/2005	James Stewart	
2		9/27/2005	Val Jakowlew	
3		9/27/2005	Dale Mason	

NOTES:
 1) USE SERVICABLE THREADLOCKER ON ALL FASTENERS TO ENGINE COMPONENTS AND TORQUE ALL BOLTS TO S.A.E. SPECIFICATIONS.
 2) SEE 'TRANSARGTIC A/C COMPRESSOR MOUNT INSTALLATION DISCLAIMER'.



DRAWING UNIT OF MEASURE: MM [INCH]

TransArctic A/C Compressor Mount Installation Disclaimer

All compressor mounts should be installed by qualified and trained personnel using proper tools and equipment in safe working conditions following industry standard guidelines for motor vehicle service and repair.

The installer of any compressor mount purchased from TransArctic must undertake all responsibility of issues arising from that compressor bracket being installed on any vehicle. Mount functionality, operation and durability can all be compromised by an incompetent installation.

Due to the many different situations, parameters and application criteria, which are beyond the compressor mount manufacturer's control, TransArctic does not warrant design, durability, or operational functionality of any compressor mount improperly installed by another party.

With no implied guarantees it is the mount installer's strict responsibility to determine safety and functionality, of the compressor mount, at the time of installation.

Please contact TransArctic with any issue arising from installation so we may better improve the product. If you have any reservations about the compressor mount integrity contact TransArctic immediately at 1-877-COLD-AIR.