

Bill of Materials Listing

TransArctic Canada Inc.

9/29/2006

Page 1 of 1

Product Number		Description	Bin	Date	Weight	Uof M	Yield
Line	Component Prod#	Description		Unit	Qty		
KMK72071		Mt Kit, C7, TH FS65, 2 TM-16, P6		8/28/2003	44.61		0
10	BEL61468	Belt, 6gr, 1468mm (57.8") (5060578)		each	1		
20	BMK70012	Bkt, Main, Weldmt, C7, TH FS65, P6		each	1		
25	BMK70003	Bkt, Spacer, Pl, C7, BBCV, P6		each	1		
30	BMK70031	Bkt, Brace, RR P/S, Sup, C7, TH FS65, P6		each	1		
40	BMK70005	Bkt, Brace, Diag D/S, Sup, C7, BBCV, P6		each	1		
44	BMS16005	Bkt, Low, Front, TM-16		each	2		
45	BMS16006	Bkt, Low, Rear, TM-16		each	2		
50	TEN80002	Tenr, HD Spring, BackSide, CCW (89200A)		each	1		
55	PUL59005	Pulley, Fan, Cummins, ISB, 5.9, 8gr		each	1		
60	PUL80076	Pulley, Idler, Backside, P8, 76d (89062)		each	1		
65	TUS02091	Tube, Stl, Exh, 2"o.d., 90 deg elb, 12x7		each	1		
67	CLP36001	Clamp, Gear, #36, 1 13/16-2 3/4 (46/70mm)		each	2		
70	KBK72071	Bag Kit, Fasteners, KMK72071		each	1		

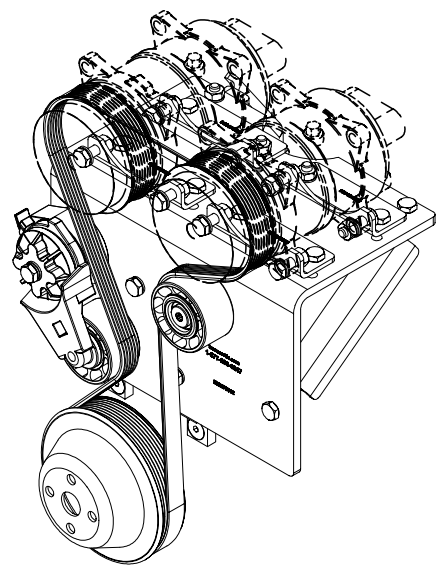
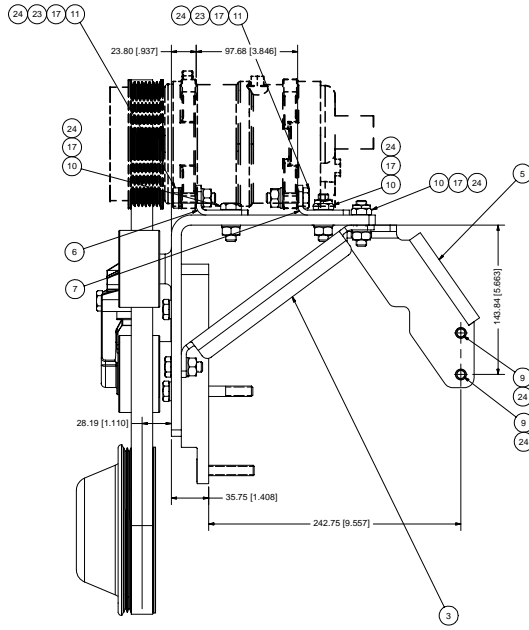
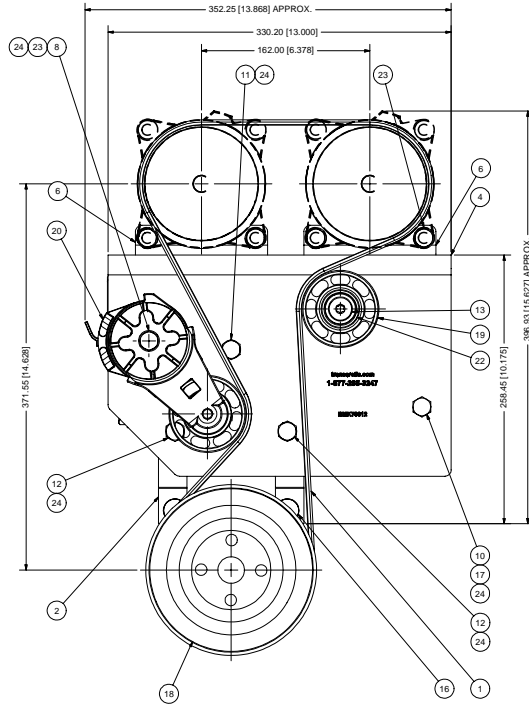
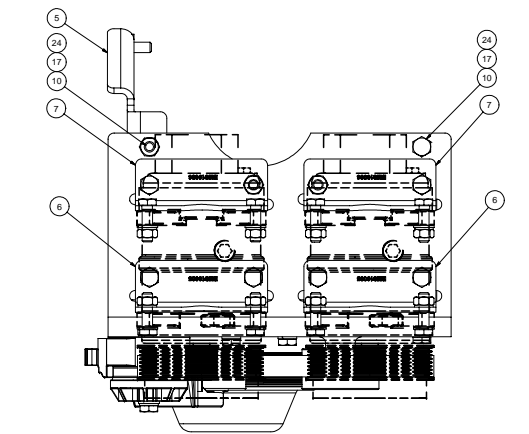
Bill of Materials Listing

TransArctic Canada Inc.

9/29/2006

Page 1 of 1

Product Number		Description	Bin	Date	Weight	Uof M	Yield
Line	Component Prod#	Description		Unit	Qty		
KBK72071		Bag Kit, Fasteners, KMK72071		11/3/2003	2.57		0
10	BTS10001	Bolt, Shoulder, 10mm (89064)		each	1		
20	BTC10080	Bolt, Hex, 10 x 1.5 x 80mm, 10.9, Plt		each	2		
30	BTC10035	Bolt, Hex, 10 x 1.5 x 35mm, 10.9, Plt		each	9		
40	BTC10030	Bolt, Hex, 10 x 1.5 x 30mm, 10.9, Plt		each	9		
45	BTC10025	Bolt, Hex, 10 x 1.5 x 25mm, 10.9, Plt		each	2		
50	BTA10090	Bolt, Hex, 10 x 1.5 x 90mm, 8.8, Plt		each	1		
60	CSF10056	Capscrew, FH, 10 x 1.5 x 55mm, 10.9,Plt		each	2		
65	CSF10031	Capscrew, FH, 10 x 1.5 x 30mm, 10.9,Plt		each	2		
70	NTA10000	Nut, Hex, 10 x 1.5, 8.8, Plt		each	19		
80	WDS17001	Washer, Dust Cover (89060)		each	1		
90	WFA10000	Washer, Flat, 10mm, 8.8, Plt		each	9		
100	WLA10000	Washer, Lock, 10mm, 8.8, Plt		each	25		



ISOMETRIC VIEW

- NOTES:
 1) USE SERVICABLE THREADLOCKER ON ALL FASTENERS TO ENGINE COMPONENTS AND TORQUE ALL BOLTS TO S.A.E. SPECIFICATIONS.
 2) SEE "TRANSARGTIC A/C COMPRESSOR MOUNT INSTALLATION DISCLAIMER".

ITEM	QTY	U/M	PART NUMBER	DESCRIPTION
24	25	EACH	WLA10000	WASHER, LOCK, 10mm, 8.8, PLT
23	9	EACH	WFA10000	WASHER, FLAT, 10mm, 8.8, PLT
22	1	EACH	WDS17001	WASHER, DUST COVER (PUL80076)
21	1	EACH	TUS02091	TUBE, STL, EXH, 2" O.D., 90 DEG ELB, 12 x 7
20	1	EACH	TEN80002	TENR, HD SPRING, BACKSIDE, CCW
19	1	EACH	PUL80076	PULLEY, IDLER, BACKSIDE, P6, 76D, 39W
18	1	EACH	PUL59005	PULLEY, FAN, CUMMINS, ISB, 5.9, 8gr
17	19	EACH	NTA10000	NUT, HEX, 10 x 1.5, 8.8, PLT
16	2	EACH	CSF10056	CAPSCREW, FH, 10 x 1.5 x 55mm, 10.9, PLT
15	2	EACH	CSF10031	CAPSCREW, FH, 10 x 1.5 x 30mm, 10.9, PLT
14	2	EACH	CLP38001	CLAMP, GEAR, #36, 13/16-2 3/4 (4670mm)
13	1	EACH	BTS10001	BOLT, SHOULDER, 10mm (IDLER PULLEY)
12	2	EACH	BTC10080	BOLT, HEX, 10 x 1.5 x 80mm, 10.9, PLT
11	9	EACH	BTC10035	BOLT, HEX, 10 x 1.5 x 35mm, 10.9, PLT
10	9	EACH	BTC10030	BOLT, HEX, 10 x 1.5 x 30mm, 10.9, PLT
9	2	EACH	BTC10025	BOLT, HEX, 10 x 1.5 x 25mm, 10.9, PLT
8	1	EACH	BTA10090	BOLT, HEX, 10 x 1.5 x 90mm, 8.8, PLT
7	2	EACH	BMS16006	BKT, LOW, REAR, TM-16
6	2	EACH	BMS16005	BKT, LOW, FRONT, TM-16
5	1	EACH	BMK70031	BKT, BRACE, RR, P/S, SUP, C7, TH FS65, P6
4	1	EACH	BMK70012	BRK, MAIN, WELDMT, C7, TH FS65, P6
3	1	EACH	BMK70005	BKT, BRACE, DRG DIS, SUP, C7, BBCV, P6
2	1	EACH	BMK70003	BRK, SPACER, PL, C7, BBCV, P6
1	1	EACH	BEL61468	BELT, 6gr, 1468mm (57.8")

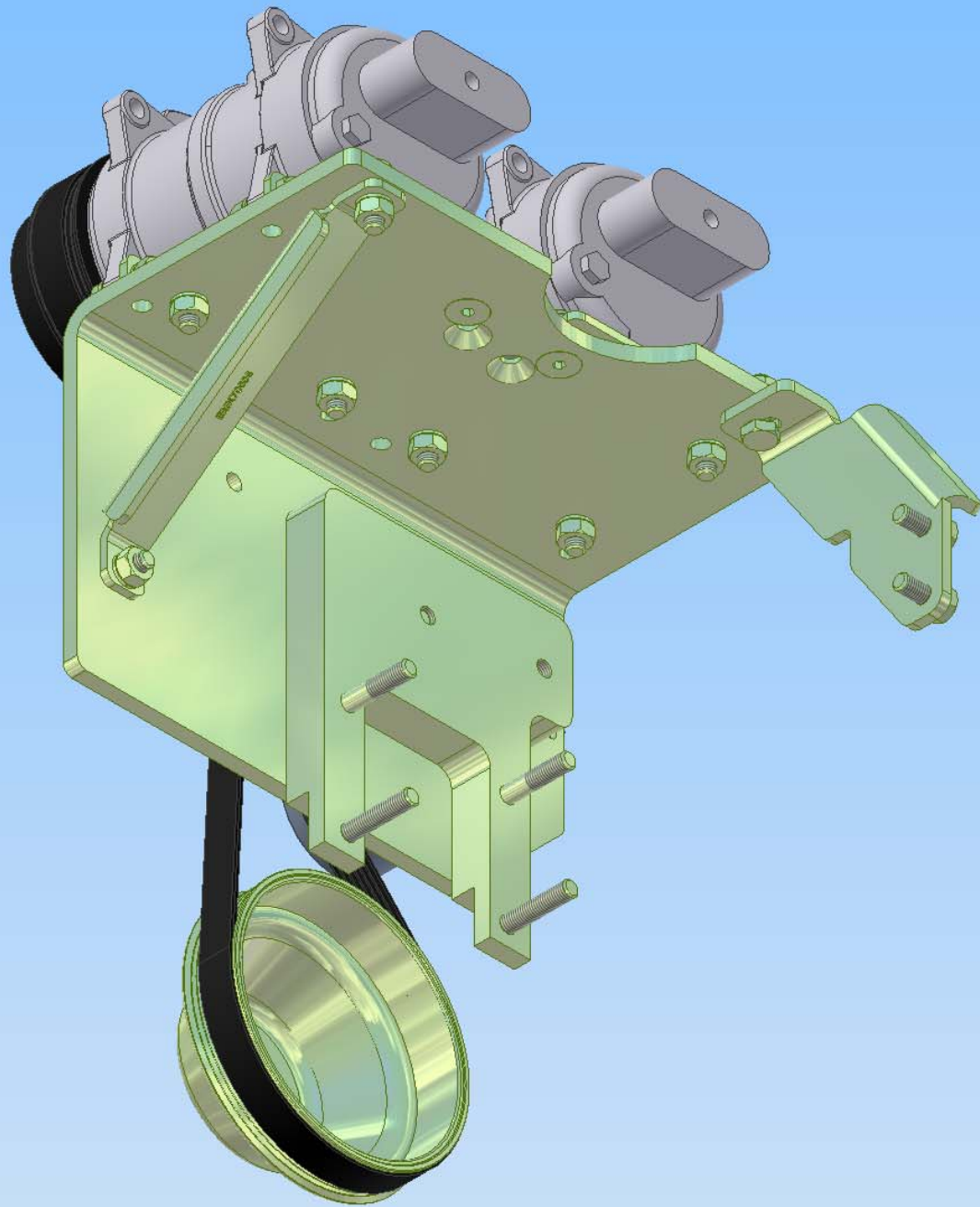
DESIGNED BY	DATE	BY	DATE
RELEASING TO PRODUCTION	4/30/04	RON INGRAM	4/30/04
REV	DESCRIPTION	DATE	BY
1	RELEASED TO PRODUCTION	4/30/04	RON INGRAM
2	REVISED TO PRODUCTION	4/30/04	RON INGRAM
3	REVISED TO PRODUCTION	4/30/04	RON INGRAM
4	REVISED TO PRODUCTION	4/30/04	RON INGRAM
5	REVISED TO PRODUCTION	4/30/04	RON INGRAM
6	REVISED TO PRODUCTION	4/30/04	RON INGRAM
7	REVISED TO PRODUCTION	4/30/04	RON INGRAM
8	REVISED TO PRODUCTION	4/30/04	RON INGRAM
9	REVISED TO PRODUCTION	4/30/04	RON INGRAM
10	REVISED TO PRODUCTION	4/30/04	RON INGRAM
11	REVISED TO PRODUCTION	4/30/04	RON INGRAM
12	REVISED TO PRODUCTION	4/30/04	RON INGRAM
13	REVISED TO PRODUCTION	4/30/04	RON INGRAM
14	REVISED TO PRODUCTION	4/30/04	RON INGRAM
15	REVISED TO PRODUCTION	4/30/04	RON INGRAM
16	REVISED TO PRODUCTION	4/30/04	RON INGRAM
17	REVISED TO PRODUCTION	4/30/04	RON INGRAM
18	REVISED TO PRODUCTION	4/30/04	RON INGRAM
19	REVISED TO PRODUCTION	4/30/04	RON INGRAM
20	REVISED TO PRODUCTION	4/30/04	RON INGRAM
21	REVISED TO PRODUCTION	4/30/04	RON INGRAM
22	REVISED TO PRODUCTION	4/30/04	RON INGRAM
23	REVISED TO PRODUCTION	4/30/04	RON INGRAM
24	REVISED TO PRODUCTION	4/30/04	RON INGRAM
25	REVISED TO PRODUCTION	4/30/04	RON INGRAM

DRAWN		DATE	
CHECKED		DATE	
DESIGNED BY		DATE	
RELEASING TO PRODUCTION		DATE	
REV		DESCRIPTION	
1		RELEASED TO PRODUCTION	
2		REVISED TO PRODUCTION	
3		REVISED TO PRODUCTION	
4		REVISED TO PRODUCTION	
5		REVISED TO PRODUCTION	
6		REVISED TO PRODUCTION	
7		REVISED TO PRODUCTION	
8		REVISED TO PRODUCTION	
9		REVISED TO PRODUCTION	
10		REVISED TO PRODUCTION	
11		REVISED TO PRODUCTION	
12		REVISED TO PRODUCTION	
13		REVISED TO PRODUCTION	
14		REVISED TO PRODUCTION	
15		REVISED TO PRODUCTION	
16		REVISED TO PRODUCTION	
17		REVISED TO PRODUCTION	
18		REVISED TO PRODUCTION	
19		REVISED TO PRODUCTION	
20		REVISED TO PRODUCTION	
21		REVISED TO PRODUCTION	
22		REVISED TO PRODUCTION	
23		REVISED TO PRODUCTION	
24		REVISED TO PRODUCTION	
25		REVISED TO PRODUCTION	

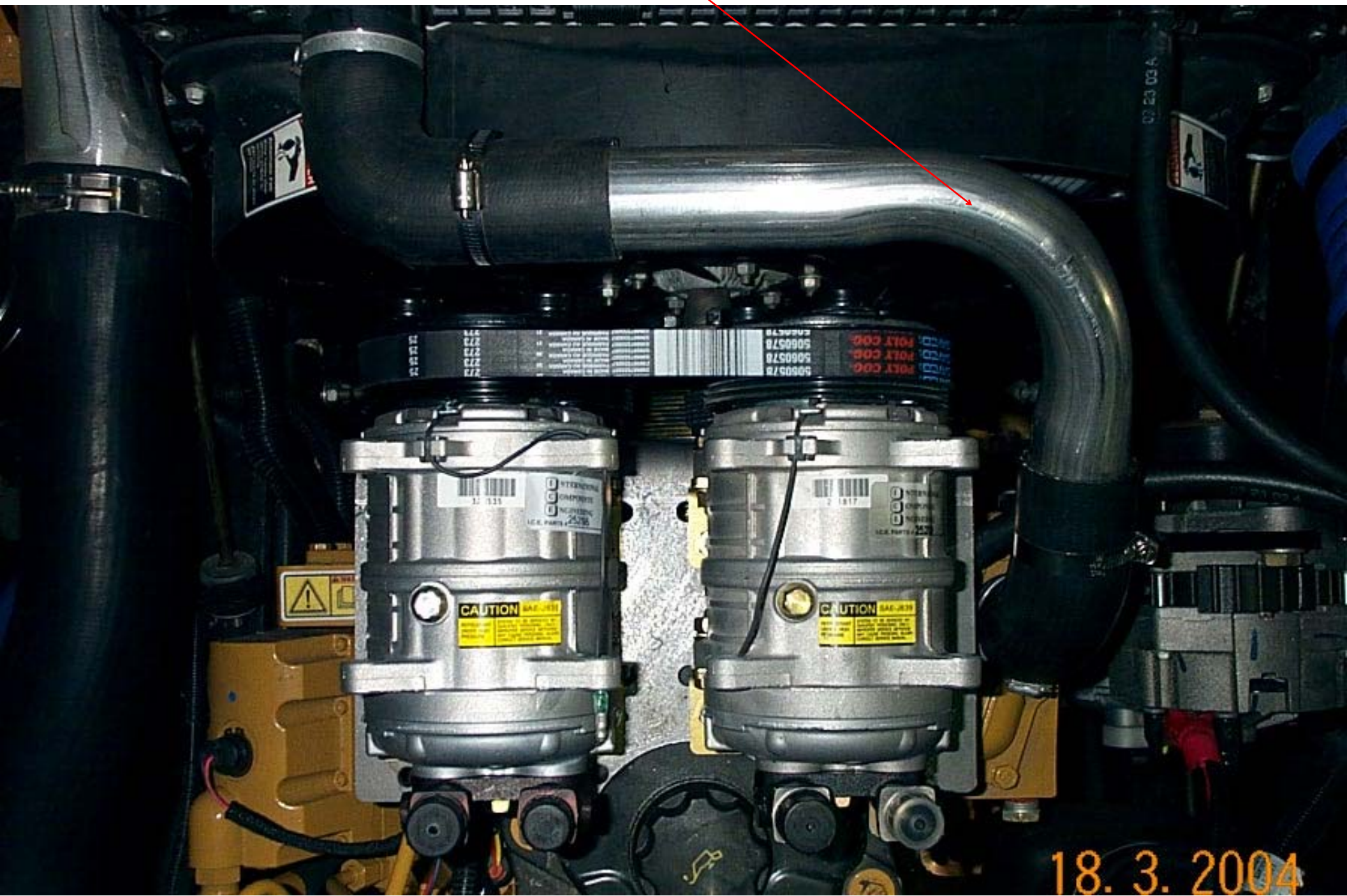
TRANSARGTIC INC.

REV	DESCRIPTION	DATE	BY
1	RELEASED TO PRODUCTION	4/30/04	RON INGRAM
2	REVISED TO PRODUCTION	4/30/04	RON INGRAM
3	REVISED TO PRODUCTION	4/30/04	RON INGRAM
4	REVISED TO PRODUCTION	4/30/04	RON INGRAM
5	REVISED TO PRODUCTION	4/30/04	RON INGRAM
6	REVISED TO PRODUCTION	4/30/04	RON INGRAM
7	REVISED TO PRODUCTION	4/30/04	RON INGRAM
8	REVISED TO PRODUCTION	4/30/04	RON INGRAM
9	REVISED TO PRODUCTION	4/30/04	RON INGRAM
10	REVISED TO PRODUCTION	4/30/04	RON INGRAM
11	REVISED TO PRODUCTION	4/30/04	RON INGRAM
12	REVISED TO PRODUCTION	4/30/04	RON INGRAM
13	REVISED TO PRODUCTION	4/30/04	RON INGRAM
14	REVISED TO PRODUCTION	4/30/04	RON INGRAM
15	REVISED TO PRODUCTION	4/30/04	RON INGRAM
16	REVISED TO PRODUCTION	4/30/04	RON INGRAM
17	REVISED TO PRODUCTION	4/30/04	RON INGRAM
18	REVISED TO PRODUCTION	4/30/04	RON INGRAM
19	REVISED TO PRODUCTION	4/30/04	RON INGRAM
20	REVISED TO PRODUCTION	4/30/04	RON INGRAM
21	REVISED TO PRODUCTION	4/30/04	RON INGRAM
22	REVISED TO PRODUCTION	4/30/04	RON INGRAM
23	REVISED TO PRODUCTION	4/30/04	RON INGRAM
24	REVISED TO PRODUCTION	4/30/04	RON INGRAM
25	REVISED TO PRODUCTION	4/30/04	RON INGRAM

REV	DESCRIPTION	DATE	BY
1	RELEASED TO PRODUCTION	4/30/04	RON INGRAM
2	REVISED TO PRODUCTION	4/30/04	RON INGRAM
3	REVISED TO PRODUCTION	4/30/04	RON INGRAM
4	REVISED TO PRODUCTION	4/30/04	RON INGRAM
5	REVISED TO PRODUCTION	4/30/04	RON INGRAM
6	REVISED TO PRODUCTION	4/30/04	RON INGRAM
7	REVISED TO PRODUCTION	4/30/04	RON INGRAM
8	REVISED TO PRODUCTION	4/30/04	RON INGRAM
9	REVISED TO PRODUCTION	4/30/04	RON INGRAM
10	REVISED TO PRODUCTION	4/30/04	RON INGRAM
11	REVISED TO PRODUCTION	4/30/04	RON INGRAM
12	REVISED TO PRODUCTION	4/30/04	RON INGRAM
13	REVISED TO PRODUCTION	4/30/04	RON INGRAM
14	REVISED TO PRODUCTION	4/30/04	RON INGRAM
15	REVISED TO PRODUCTION	4/30/04	RON INGRAM
16	REVISED TO PRODUCTION	4/30/04	RON INGRAM
17	REVISED TO PRODUCTION	4/30/04	RON INGRAM
18	REVISED TO PRODUCTION	4/30/04	RON INGRAM
19	REVISED TO PRODUCTION	4/30/04	RON INGRAM
20	REVISED TO PRODUCTION	4/30/04	RON INGRAM
21	REVISED TO PRODUCTION	4/30/04	RON INGRAM
22	REVISED TO PRODUCTION	4/30/04	RON INGRAM
23	REVISED TO PRODUCTION	4/30/04	RON INGRAM
24	REVISED TO PRODUCTION	4/30/04	RON INGRAM
25	REVISED TO PRODUCTION	4/30/04	RON INGRAM



MODIFY RADIATOR HOSE & INSERT STEEL ELBOW AS SHOWN.



TransArctic A/C Compressor Mount Installation Disclaimer

All compressor mounts should be installed by qualified and trained personnel using proper tools and equipment in safe working conditions following industry standard guidelines for motor vehicle service and repair.

The installer of any compressor mount purchased from TransArctic must undertake all responsibility of issues arising from that compressor bracket being installed on any vehicle. Mount functionality, operation and durability can all be compromised by an incompetent installation.

Due to the many different situations, parameters and application criteria, which are beyond the compressor mount manufacturer's control, TransArctic does not warrant design, durability, or operational functionality of any compressor mount improperly installed by another party.

With no implied guarantees it is the mount installer's strict responsibility to determine safety and functionality, of the compressor mount, at the time of installation.

Please contact TransArctic with any issue arising from installation so we may better improve the product. If you have any reservations about the compressor mount integrity contact TransArctic immediately at 1-877-COLD-AIR.