

Bill of Materials Listing

TransArctic Canada Inc.

12/4/2009
Page 1 of 1

Product Number	Description	Date	Weight	Uof M	Yield
Line Component Prod#	Description	Bin Unit	Qty		
KMK71352	Mt Kit, C7, A3RE, 1 TM-21, P8, '07		8/23/2007	51.91	0
10 BEL11125	Belt, A gr, 1125mm (44.3") (17443)	each	1		
20 BMK70075	Bkt, X-mem, Weldmt, C7, A3FE, 07	each	1		
30 BMK70079	Bkt, Main, Weldmt, D/S, C7, A3FE, 07	each	1		
50 FSP78573	SPACER, FAN, PULLEY, C7, 85.73mm(3.375")	each	1		
60 PUL10094	Pulley, Idler, SA,94d x 18w,Blk (IP-103)	each	1		
70 PUL70012	Pulley, Crank, C7, 2A, 8" DIA	each	1		
80 SCD09010	Spacer, Col, Drl, 9mm x 25.4o x10.32i	each	1		
90 SLV17040	Sleeve, Pulley, 16.9o x 14.29mm x 10.08i	each	1		
110 TEN00006	Tenr, Spring, Un-Direct, 90d, 3/8 x2.5"	each	1		
120 KBK71352	Bag Kit, Fasteners, KMK71352/1052	each	1		

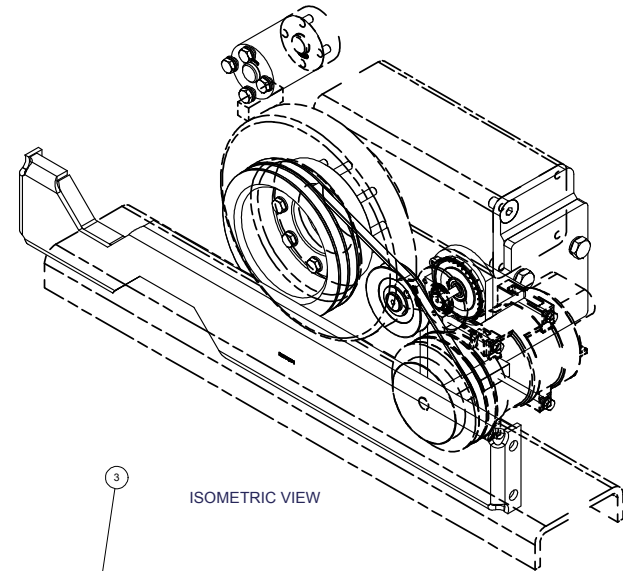
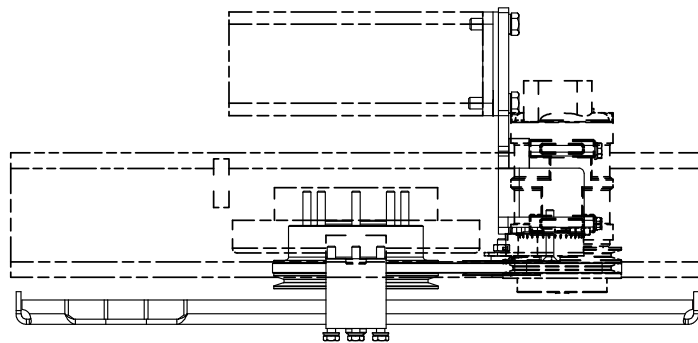
Bill of Materials Listing

TransArctic Canada Inc.

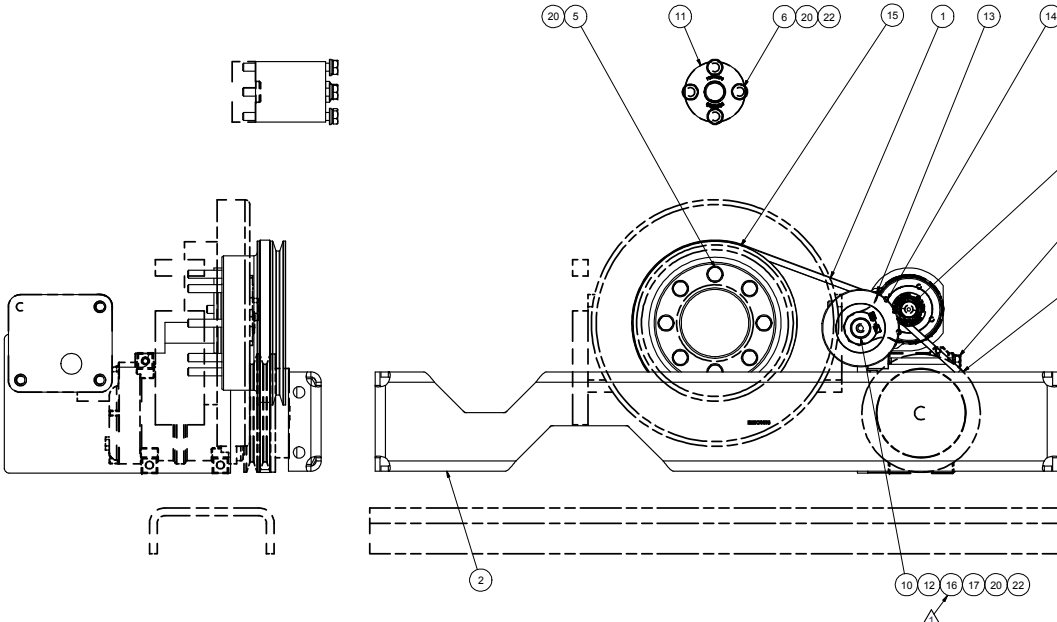
12/11/2007

Page 1 of 1

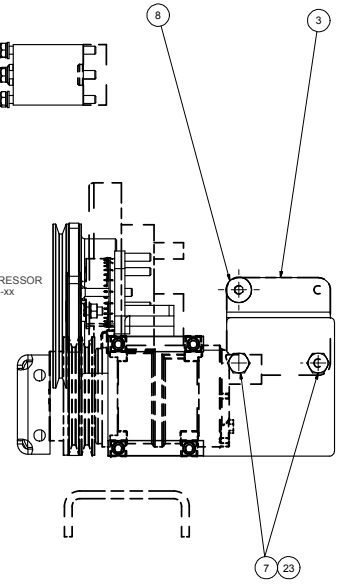
Product Number		Description	Bin	Date	Weight	Uof M	Yield
Line	Component Prod#	Description		Unit	Qty		
KBK71352		Bag Kit, Fasteners, KMK71352/1052		08/22/07	2.55		0
10	BTC08100	Bolt, Hex, 8 x 1.25 x 100mm, 10.9, Plt		each	4		
20	BTC10060	Bolt, Hex, 10 x 1.5 x 60mm, 10.9, Plt		each	8		
30	BTC10110	Bolt, Hex, 10 x 1.5 x 110mm, 10.9, Plt		each	4		
50	BTC14050	Bolt, Hex, 14 x 2 x 50mm, 10.9, Plt		each	2		
60	CSF06250	Capscrew, FH, 3/8-16 x 2.5", Alloy, Plt		each	1		
70	CSF10046	Capscrew, FH, 10 x 1.5 x 45mm, 10.9,Plt		each	1		
80	CSF14031	Capscrew, FH, 14 x 2 x 30mm, 10.9,Plt		each	1		
90	NTA10000	Nut, Hex, 10 x 1.5, 8.8, Plt		each	1		
100	PNS04012	Pin, Spring, 1/4" d x 3/4" lg, ST, PLT		each	1		
110	WFA08000	Washer, Flat, 8mm, 8.8, Plt		each	4		
120	WFA10000	Washer, Flat, 10mm, 8.8, Plt		each	12		
130	WLA08000	Washer, Lock, 8mm, 8.8, Plt		each	4		
140	WLA10000	Washer, Lock, 10mm, 8.8, Plt		each	5		
150	WLA14000	Washer, Lock, 14mm, 8.8, Plt		each	2		



ISOMETRIC VIEW



NOTE: CARRIER COMPRESSOR PART#: 76-62152-xx



ITEM	QTY	U/M	PART NUMBER	DESCRIPTION
23	2	EACH	WLA14000	WASHER, LOCK, 14mm, 8.8, PLT
22	5	EACH	WLA10000	WASHER, LOCK, 10mm, 8.8, PLT
21	4	EACH	WLA08000	WASHER, LOCK, 8mm, 8.8, PLT
20	12	EACH	WFA10000	WASHER, FLAT, 10mm, 8.8, PLT
19	4	EACH	WFA08000	WASHER, FLAT, 8mm, 8.8, PLT
18	1	EACH	TENR00006	TENR, SPRING, UN-DIRECT, 900, 3/8 X 2.5"
17	1	EACH	SLV17040	SLEEVE, PULLEY, 16.9x x 14.23mm x 10.08
16	1	EACH	SCD09010	SPACER, COL, DRL, 9mm x 25.4x 10.32
15	1	EACH	PUL70012	PULLEY, CRANK, C7, 2A, 8" DIA
14	1	EACH	PUL10094	PULLEY, IDLER, SA, 94D X 18W, BLK (IP-103)
13	1	EACH	PNS04012	PIN, SPRING, 1/4" D x 3/4" L
12	1	EACH	NTA10000	NUT, HEX, 10 x 1.5, 8.8, PLT
11	1	EACH	FSP78573	SPACER, FAN, PULLEY, C7, 85.73mm (3.375")
10	1	EACH	CSF10046	CAPSCREW, FH, 10 x 1.5 x 45mm, 10.9, PLT
9	1	EACH	CSF06250	CAPSCREW, FH, 3/8-16 x 2.5", 9, PLT
8	1	EACH	CFS14031	CAPSCREW, FH, 14 x 2 x 30mm, 10.9, PLT
7	2	EACH	BTC14050	BOLT, HEX, 14 x 2.0 x 50mm, 10.9, PLT
6	4	EACH	BTC10110	BOLT, HEX, 10 x 1.5 x 110mm, 10.9, PLT
5	8	EACH	BTC10060	BOLT, HEX, 10 x 1.5 x 60mm, 10.9, PLT
4	4	EACH	BTC08100	BOLT, HEX, 8 x 1.25 x 100mm, 10.9, PLT
3	1	EACH	BMK70079	BKT, MAIN, WELDMT, DIS, C7, A3FE, 07
2	1	EACH	BMK70075	BKT, X-MEM, WELDMT, C7, A3FE, 07
1	1	EACH	BEL11125	BELT, A, gr, 1125mm (44.3")

TRANSARGTIG INC.

NOTES:
 1) USE SERVICABLE THREADLOCKER ON ALL FASTENERS TO ENGINE COMPONENTS AND TORQUE ALL BOLTS TO S.A.E. SPECIFICATIONS.
 2) SEE "TRANSARGTIG A/C COMPRESSOR MOUNT INSTALLATION DISCLAIMER".

1	WAS SCD12710	11/27/2007	JRR	VAL
0	RELEASED TO PRODUCTION	12/11/07	JRR	CA
REV	ECN	DESCRIPTION	DATE	BY
			12/11/2007	James Stewart
			12/11/2007	Val Jakowlew
			12/11/2007	Dale Mason

DRAWN	12/11/2007		
CHKD			
CHECKED			
DATE	12/11/2007		
BY	Ron Ingram		
DATE	12/11/07		
BY	James Stewart		
DATE	12/11/2007		
BY	Val Jakowlew		
DATE	12/11/2007		
BY	Dale Mason		
DATE	12/11/2007		
BY			
DATE			
BY			

MT KIT, C7, A3FE, 1 TM-21, SA, '07

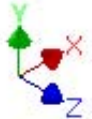
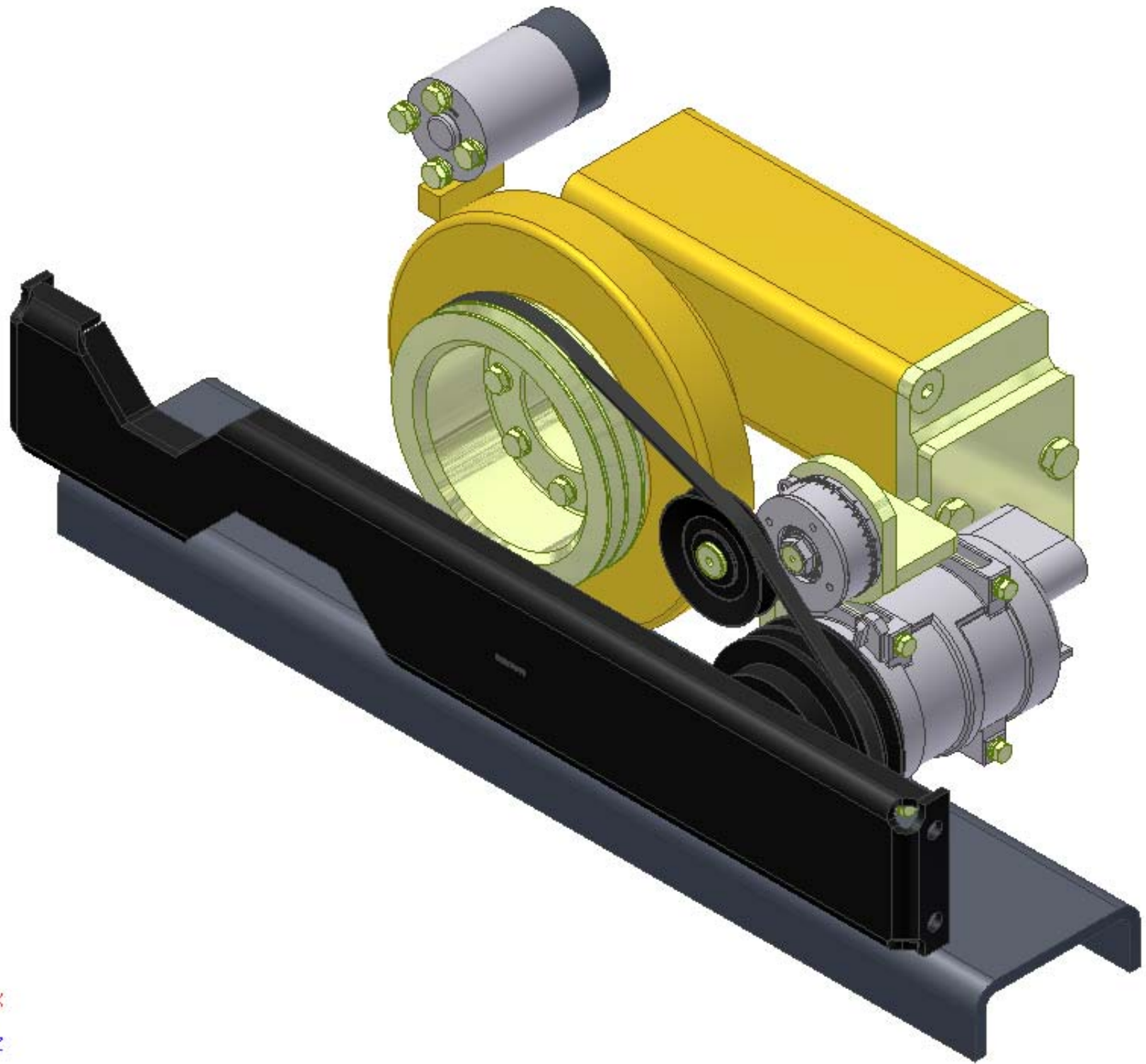
DWG NO: **KMK71352**

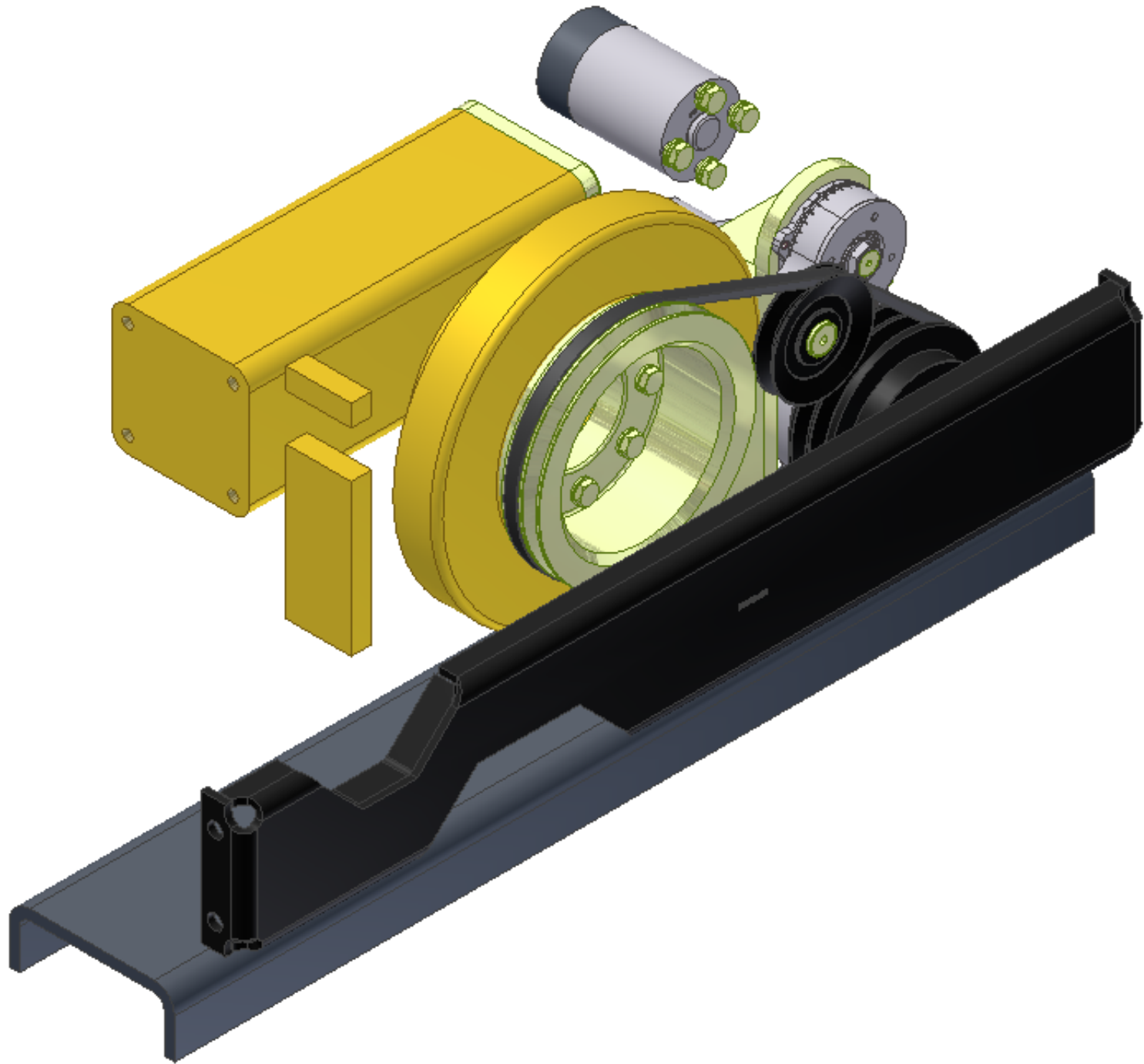
SHEET 1 OF 1

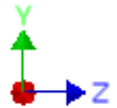
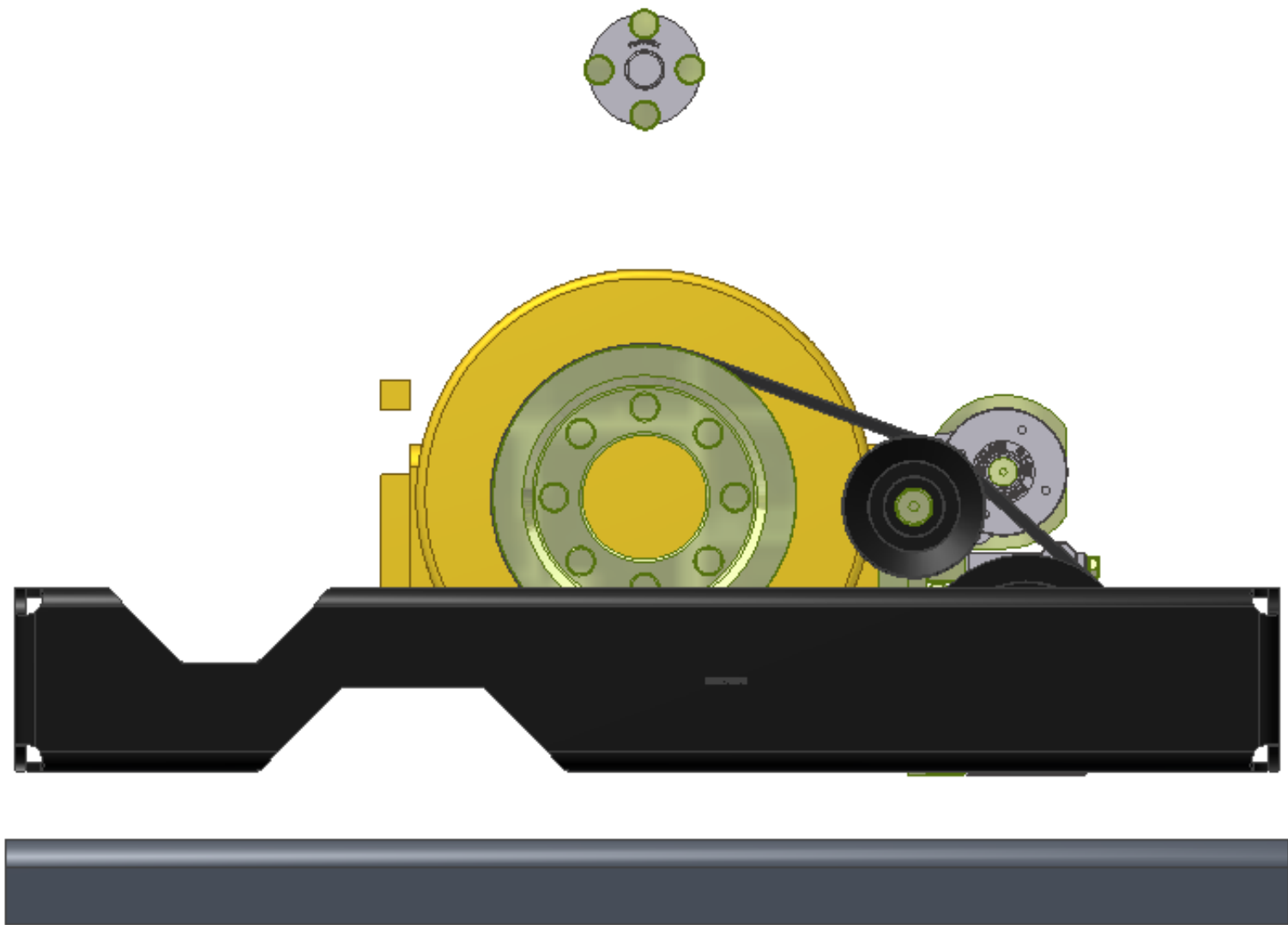
UNSPECIFIED TOLERANCES:
 ONE DECIMAL PLACE (10, 20, 30, 40)
 TWO DECIMAL PLACE (1.00, 1.50, 2.00)
 FRACTIONS (1/32, 1/16, 1/8, 1/4, 1/2)

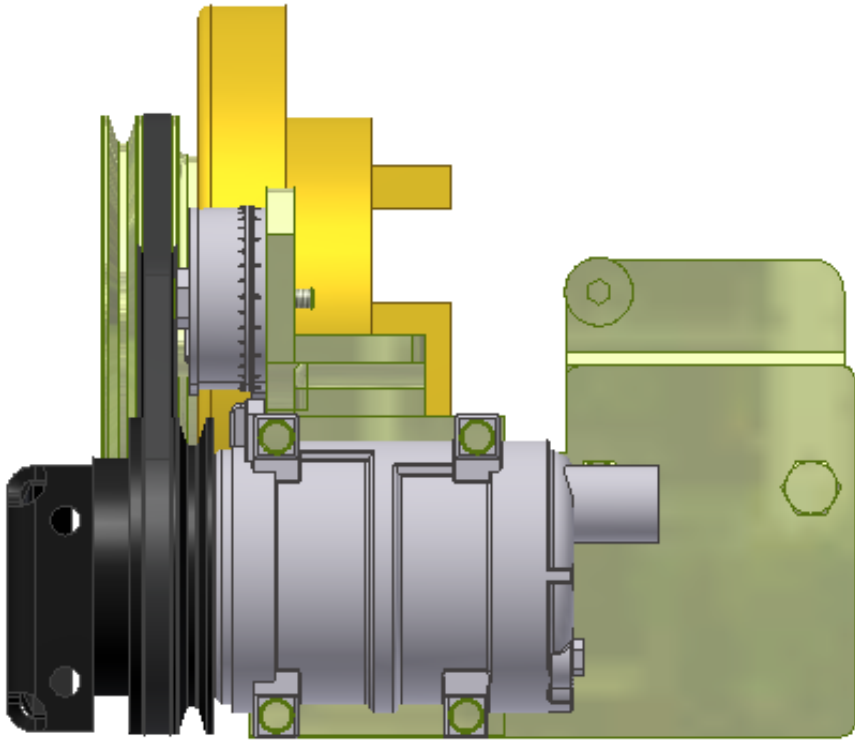


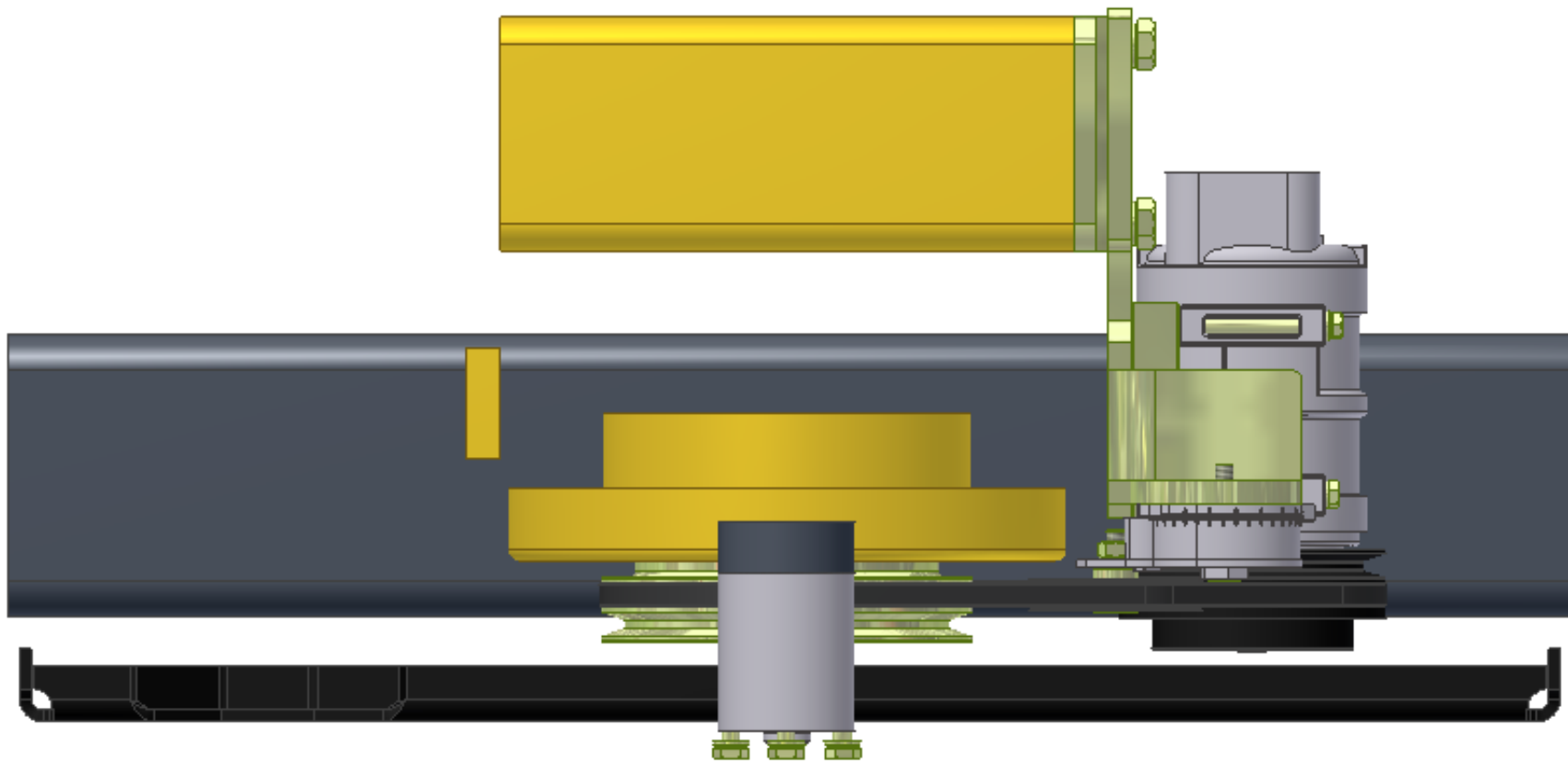
THIRD ANGLE PROJECTION
 DRAWING UNIT OF MEASURE: MM (INCH)
 SCALE: 1:3











TransArctic A/C Compressor Mount Installation Disclaimer

All compressor mounts should be installed by qualified and trained personnel using proper tools and equipment in safe working conditions following industry standard guidelines for motor vehicle service and repair.

The installer of any compressor mount purchased from TransArctic must undertake all responsibility of issues arising from that compressor bracket being installed on any vehicle. As well as insure that a **proper and sufficient ground** is established between the compressors' clutches and the vehicle's engine. Mount functionality, operation and durability can all be compromised by an incompetent installation.

Due to the many different situations, parameters and application criteria, which are beyond the compressor mount manufacturer's control, TransArctic does not warrant design, durability, or operational functionality of any compressor mount improperly installed by another party.

With no implied guarantees it is the mount installer's strict responsibility to determine safety and functionality, of the compressor mount, at the time of installation.

Please contact TransArctic with any issue arising from installation so we may better improve the product. If you have any reservations about the compressor mount integrity contact TransArctic immediately at 1-877-COLD-AIR.