

Bill of Materials Listing

TransArctic Canada Inc.

3/12/2006

Page 1 of 1

Product Number		Description	Bin	Date	Weight	Uof M	Yield
Line	Component Prod#	Description		Unit	Qty		
KMK71380		Mt Kit, C7, MVP EF, 1 TM-21, P8-OEM		9/21/2004	28.57		0
10	BEL82813	Belt, 8gr, 2813mm (110.75") (081102)		each	1		
20	BMK70037	Bkt, Main, Weldmt, C7, TH MVP-EF, P8		each	1		
30	BMK70038	Bkt, Brace, RR P/S, C7, TH MVP-EF, P8		each	1		
40	BMK70039	Bkt, Brace, Diag D/S, C7, TH MVP-EF, P8		each	1		
50	BMS70005	Bkt, Cradle,L/H,TM-21,92mm,90/ccw,MVP EF		each	1		
60	BMS70006	Bkt, Cradle,R/H,TM-21,87mm,90/ccw,MVP EF		each	1		
70	PUL80076	Pulley, Idler, Backside, P8, 76d (89062)		each	1		
80	TUS02091	Tube, Stl, Exh, 2"o.d., 90 deg elb,12x7		each	1		
90	HOR03800	Hose, Heater, 3/8" ID, (250' - 80235GL)		feet	3		
100	KBK71380	Bag Kit, Fasteners, KMK71380		each	1		

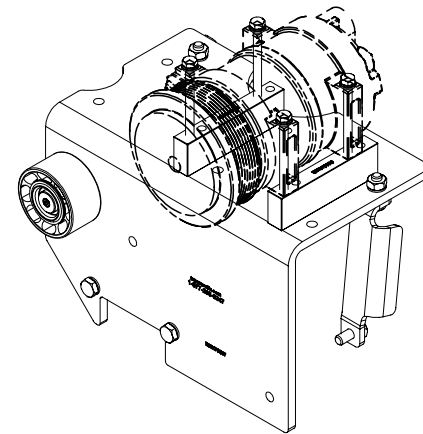
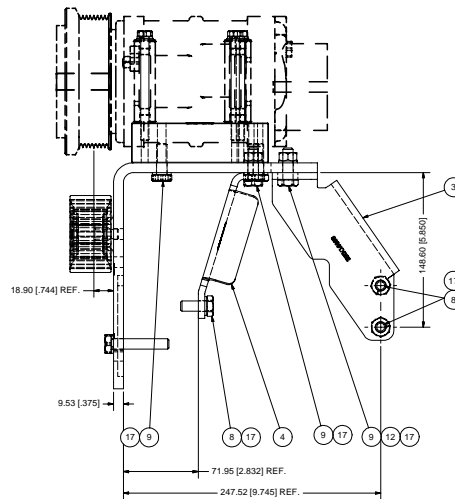
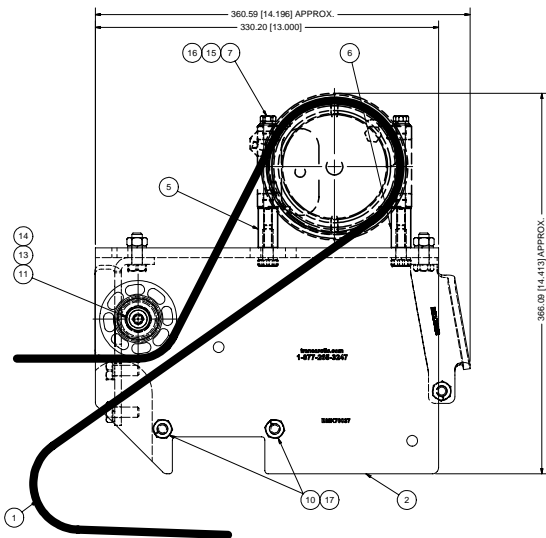
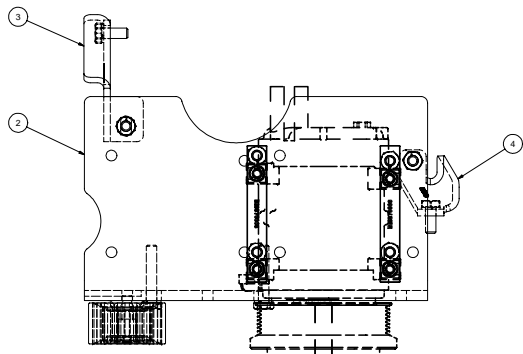
Bill of Materials Listing

TransArctic Canada Inc.

10/3/2005

Page 1 of 1

Product Number		Description	Bin	Date	Weight	Uof M	Yield
Line	Component Prod#	Description		Unit	Qty		
KBK71380		Bag Kit, Fasteners, KMK71380		9/21/2004	1.30		0
10	BTS10001	Bolt, Shoulder, 10mm (89064)		each	1		
30	BTC10055	Bolt, Hex, 10 x 1.5 x 55mm, 10.9, Plt		each	2		
50	BTC10030	Bolt, Hex, 10 x 1.5 x 30mm, 10.9, Plt		each	6		
60	BTC10025	Bolt, Hex, 10 x 1.5 x 25mm, 10.9, Plt		each	3		
70	BTC08100	Bolt, Hex, 8 x 1.25 x 100mm, 10.9, Plt		each	4		
100	NTA10000	Nut, Hex, 10 x 1.5, 8.8, Plt		each	2		
120	WDS17001	Washer, Dust Cover (89060)		each	1		
140	WFA08000	Washer, Flat, 8mm, 8.8, Plt		each	4		
160	WLA10000	Washer, Lock, 10mm, 8.8, Plt		each	11		
170	WLA08000	Washer, Lock, 8mm, 8.8, Plt		each	4		
190	CLP36001	Clamp, Gear, #36, 1 13/16-2 3/4 (46/70mm)		each	2		
200	CLP20040	Clamp, "P" type, #40, 1/2"w, 2 1/2", PC		each	1		
210	CLP20028	Clamp, "P" type, #28, 1/2"w, 1 3/4", PC		each	1		
220	CLP20016	Clamp, "P" type, #16, 1/2"w, 1", PC		each	1		



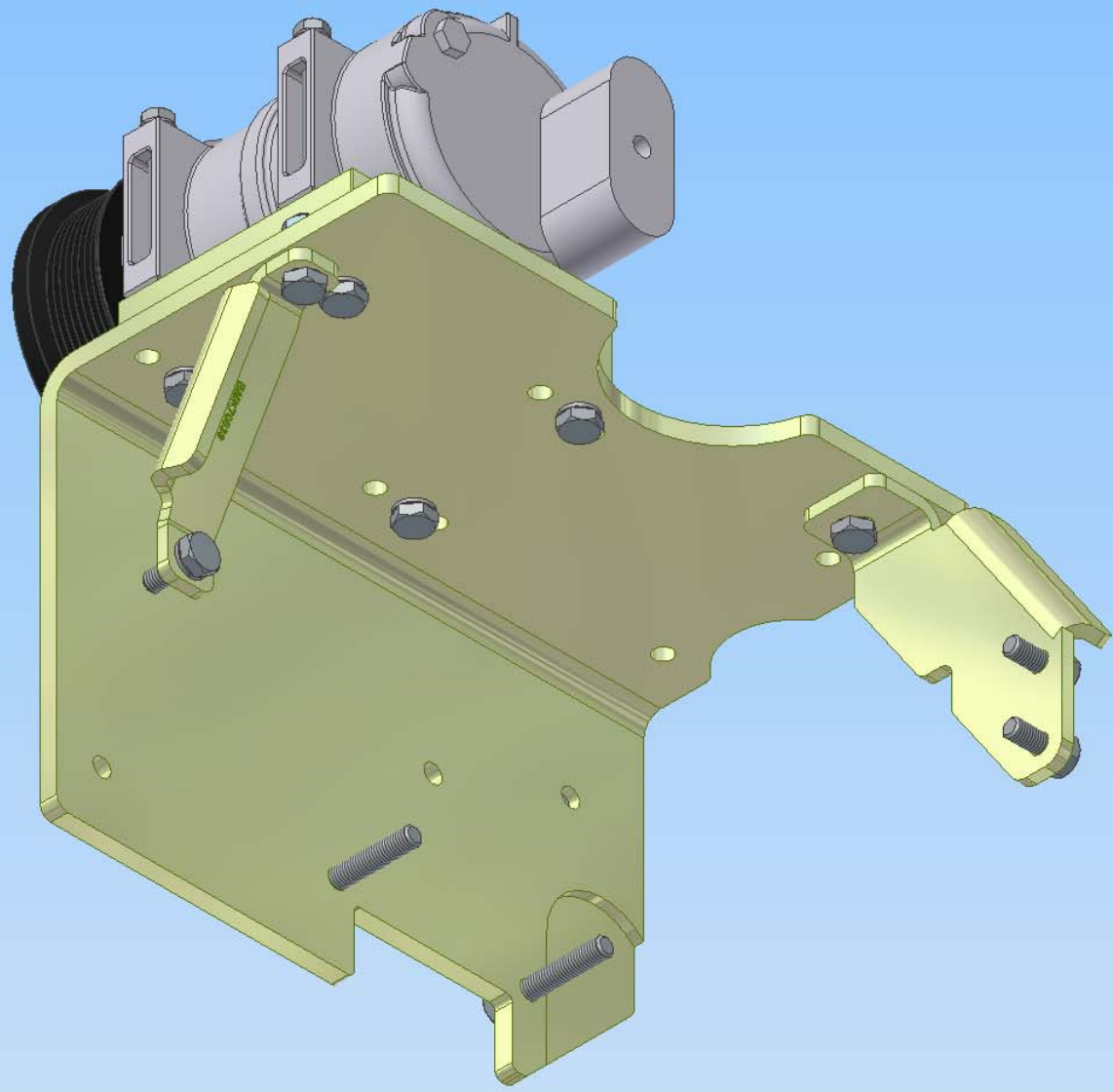
ISOMETRIC VIEW

- NOTES:
- 1) USE SERVICABLE THREADLOCKER ON ALL FASTENERS TO ENGINE COMPONENTS AND TORQUE ALL BOLTS TO S.A.E. SPECIFICATIONS.
 - 2) SEE "TRANSARGTIC A/C COMPRESSOR MOUNT INSTALLATION DISCLAIMER".

ITEM	QTY	U/M	PART NUMBER	DESCRIPTION
17	11	EACH	WLA10000	WASHER, LOCK, 10mm, 8.8, PLT
16	4	EACH	WLA08000	WASHER, LOCK, 8mm, 8.8, PLT
15	4	EACH	WFA08000	WASHER, FLAT, 8mm, 8.8, PLT
14	1	EACH	WDS17001	WASHER, DUST COVER (PUL80076)
13	1	EACH	PUL80076	PULLEY, IDLER, BACKSIDE, P8, 76D, 39W
12	2	EACH	NTA10000	NUT, HEX, 10 x 1.5, 8.8, PLT
11	1	EACH	BTS10001	BOLT, SHOULDER, 10mm (IDLER PULLEY)
10	2	EACH	BTC10055	BOLT, HEX, 10 x 1.5 x 55mm, 10.9, PLT
9	6	EACH	BTC10030	BOLT, HEX, 10 x 1.5 x 30mm, 10.9, PLT
8	3	EACH	BTC10025	BOLT, HEX, 10 x 1.5 x 25mm, 10.9, PLT
7	4	EACH	BTC08100	BOLT, HEX, 8 x 1.25 x 100mm, 10.9, PLT
6	1	EACH	BMS70006	BKT, CRADLE, R/H, TM-21, 87mm, 90ccw, MVP EF
5	1	EACH	BMS70005	BKT, CRADLE, L/H, TM-21, 87mm, 90ccw, MVP EF
4	1	EACH	BMK70039	BKT, BRACE, DIAG, DIS, C7, TH MVP-EF, P8
3	1	EACH	BMK70038	BKT, BRACE, RR, P/S, SUP, C7, TH FS65, P8
2	1	EACH	BMK70037	BKT, MAIN, WELDMT, C7, TH MVP-EF, P8
1	1	EACH	BEL82813	BELT, Bgr, 2813mm (110.75") (081102)

BILL OF MATERIALS			
DRAWN	Checked	DATE	REV
Wjakowlew		9/26/2005	0
CHECKED	Checked	DATE	REV
Ron Ingram		9/26/2005	0
DATE	BY	DATE	REV
9/26/2005	James Stewart	9/26/2005	0
MFG	Checked	DATE	REV
Wjakowlew		9/26/2005	0
APPROVED	Checked	DATE	REV
DATE	BY	DATE	REV
9/26/2005	DATE	9/26/2005	0

TRANSARGTIC INC.			
REV	ECN	DESCRIPTION	DATE
0		RELEASED TO PRODUCTION	9/26/2005
THIS DRAWING CONTAINS PROPRIETARY CONFIDENTIAL INFORMATION OWNED BY TRANSARGTIC CANADA INC. THE DOCUMENT AND THE INFORMATION IN IT ARE NOT TO BE USED, DISCLOSED OR REPRODUCED WITHOUT EXPRESS WRITTEN PERMISSION OF THE COMPANY.			
UNSPECIFIED TOLERANCES:		SIZE	DWG NO
0.130 (0.005) FRACTIONAL	0.130 (0.005) DECIMAL	F	KMK71380
THIRD ANGLE PROJECTION		SCALE	SHEET
		1:2	1 OF 1



TransArctic A/C Compressor Mount Installation Disclaimer

All compressor mounts should be installed by qualified and trained personnel using proper tools and equipment in safe working conditions following industry standard guidelines for motor vehicle service and repair.

The installer of any compressor mount purchased from TransArctic must undertake all responsibility of issues arising from that compressor bracket being installed on any vehicle. Mount functionality, operation and durability can all be compromised by an incompetent installation.

Due to the many different situations, parameters and application criteria, which are beyond the compressor mount manufacturer's control, TransArctic does not warrant design, durability, or operational functionality of any compressor mount improperly installed by another party.

With no implied guarantees it is the mount installer's strict responsibility to determine safety and functionality, of the compressor mount, at the time of installation.

Please contact TransArctic with any issue arising from installation so we may better improve the product. If you have any reservations about the compressor mount integrity contact TransArctic immediately at 1-877-COLD-AIR.