

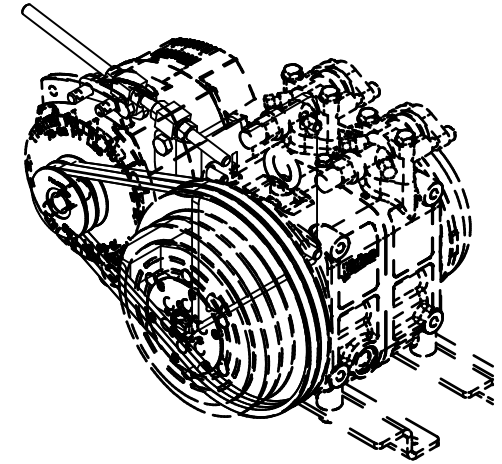
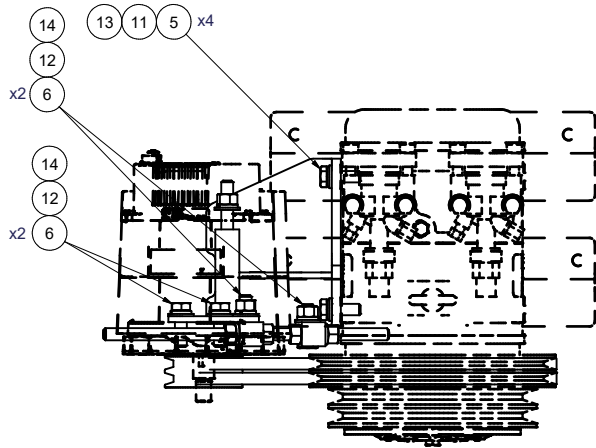
Bill of Materials Listing

12/20/2022

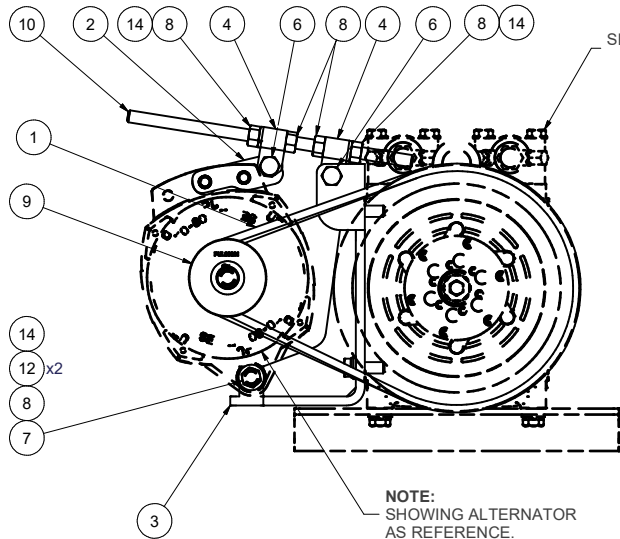
Page 1 of 1

TransArctic Canada Inc.

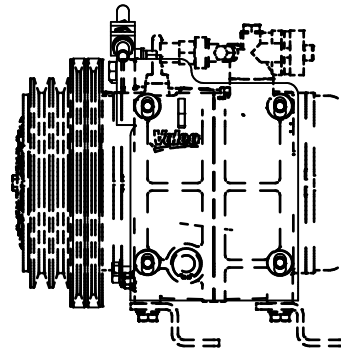
Product Number		Date		Description		Uof M	Weight	Yield	
Line	Qty	Component	Prod#	Rev#	Description	Location	Unit		
KAC96663			02/15/13	1	Kit, Alt. 24V, ISL, T3RE, '13			174.35	0
5	2	BEL11040			Belt, A gr, 1040mm (41")		each		
10	1	BMC96663			1 Bkt, Main, Alt, Weldmt,ISL,TM-65/55,'13		each		
20	1	BMC83114			0 Bkt, Pl, ALT Spacer, T3RE, '13		each		
30	2	BMT10011			0 Bkt, Tenr, Block, Offset, 3mm		each		
40	1	PUL03321			1 Pulley, ALT, Idler, 3.25"d, 2A		each		
45	1	TRD08060			Threaded, Rod, 1/2-13unc x 6", 5, Plt		each		
80	1	KBA96663			2 Bag Kit, Fasteners, KAC96663		each		



ISOMETRIC VIEW



NOTE:
SHOWING COMPRESSOR
VALEO# T21485BY
AS REFERENCE.



NOTE:
SHOWING ALTERNATOR
AS REFERENCE.

NOTES:

- 1) USE SERVICABLE THREADLOCKER ON ALL FASTENERS TO ENGINE COMPONENTS AND TORQUE **ALL** BOLTS TO S.A.E. SPECIFICATIONS.
- 2) SEE "TRANSARCTIC A/C COMPRESSOR MOUNT INSTALLATION DISCLAIMER".
- 3) WEIGHT: 18.11 LB

ITEM	QTY	U/M	PART NUMBER	DESCRIPTION
14	7	EACH	WLQ08000	WASHER, LOCK, 1/2", 8, PLT
13	4	EACH	WLA12000	WASHER, LOCK, 12mm, 8.8, PLT
12	6	EACH	WFO08000	WASHER, FLAT, 1/2", 8, PLT
11	4	EACH	WFA12000	WASHER, FLAT, 12mm, 8.8, PLT
10	1	EACH	TRD08120	THREADED, ROD, 1/2-13UNC x 12", 5 PLT
9	1	EACH	PUL03321	PULLEY, ALT, IDLER, 3.25"o, 2A
8	7	EACH	NTQ08000	NUT, HEX, 1/2-13UNC, 8, PLT
7	1	EACH	BTQ08653	BOLT, HEX, 1/2-13UNC x 6.50, 8, PLT
6	4	EACH	BTQ08150	BOLT, HEX, 1/2-13UNC x 1.50, 8, PLT
5	4	EACH	BTC12035	BOLT, HEX, 12 x 1.75 x 35mm, 10.9, PLT
4	2	EACH	BMT10011	BKT, TENR, BLOCK, OFFSET, 3mm
3	1	EACH	BMC96663	BKT, MAIN, ALT, WELDMT, ISL, TM-65/55, '13
2	1	EACH	BMC83114	BKT, PI, ALT SPACER, T3RE, '13
1	2	EACH	BEL11040	BELT, A gr, 1040mm (41")
ITEM	QTY	U/M	PART NUMBER	DESCRIPTION

BILL OF MATERIALS

DRAWN	vjakowlew	7/15/2015
CHECKED	Jose Rodriguez	7/15/2015
REV:	ECN:	DESCRIPTION:
0		RELEASED TO PRODUCTION. 07/16/15 VALJ
DATE:	BY:	
07/15/15	James Stewart	
MFG	James Stewart	7/15/2015
APPROVED	Dale Mason	7/15/2015



TITLE	KIT, ALT, 24V, ISL, T3RE, '13		
SIZE	C	DWG NO	KAC96663
SCALE	1:4	SHEET	1 OF 1
REV	0		

THIS DRAWING CONTAINS PROPRIETARY CONFIDENTIAL INFORMATION OWNED BY TRANSARCTIC CANADA INC. THE DOCUMENT AND THE INFORMATION IN IT ARE NOT TO BE USED, DISCLOSED OR REPRODUCED WITHOUT EXPRESS WRITTEN PERMISSION OF THE COMPANY.			
UNSPECIFIED TOLERANCES:			
ONE DECIMAL PLACE (X)	MM	(INCH)	
TWO DECIMAL PLACE (XX)	.50	[.005]	
THREE DECIMAL PLACE (XXX)	.25	[.010]	
FRACTIONAL +/- .002"	.10	[.005]	
ANGULAR +/- .50°			
THIRD ANGLE PROJECTION			
DRAWING UNIT OF MEASURE: MM [INCH]			