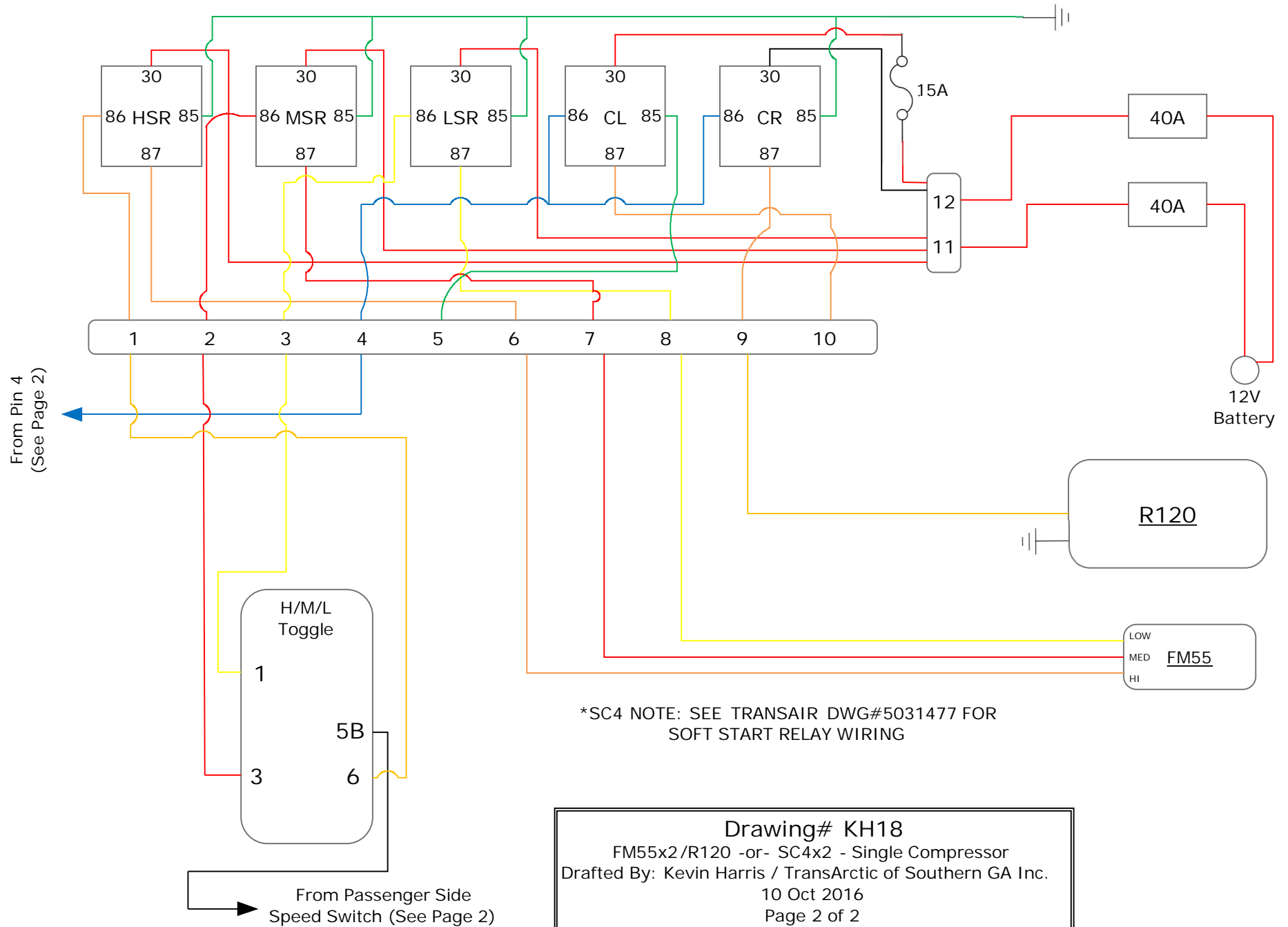


Drawing# KH18
 FM55x2/R120 -or- SC4x2 - Single Compressor
 Drafted By: Kevin Harris / TransArctic of Southern GA Inc.
 10 Oct 2016
 Page 1 of 2



Drawing# KH18
FM55x2/R120 -or- SC4x2 - Single Compressor
Drafted By: Kevin Harris / TransArctic of Southern GA Inc.
10 Oct 2016
Page 2 of 2