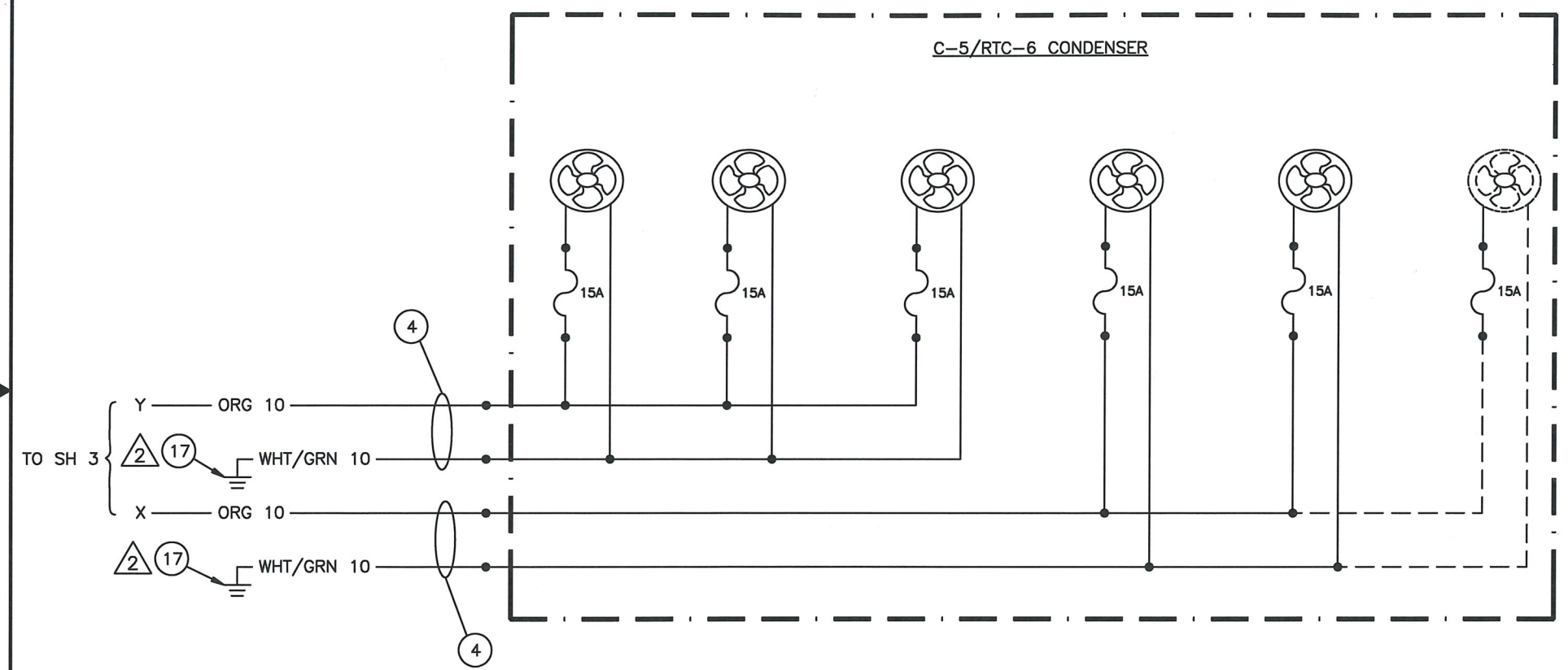


NOTES:

1. PACKAGE ALL ITEMS AND A COPY OF THIS DRAWING IN A BOX. IDENTIFY WITH PART NO. AND REV LEVEL.
2. GROUND TO CHASSIS AT CLOSEST POINT TO AVOID VOLTAGE LOSS.
3. PART NO. 116049 TO BE PURCHASED SEPARATELY.
4. FUSE HOLDER ASSEMBLIES MUST BE LOCATED WITHIN 2 FT OF POWER SOURCE & BE COMPLETELY VISIBLE.
5. REMOVE RING TERMINAL FROM POWER DISTRIBUTION HARNESS & REPLACE WITH MALE SLIP-ON TERMINAL.
6. TRANS/AIR ALTERNATOR NEGATIVE POST MUST BE GROUNDED TO VEHICLE CHASSIS.
7. INSTALL FUSE HOLDER AS CLOSE AS POSSIBLE TO POWER SOURCE.
8. CLAMPS (ITEMS 39 & 40) AND SCREWS (ITEM 12) ARE SUPPLIED TO SECURE WIRING.

-01 DIGITAL THERMOSTAT  
-02 NO DIGITAL THERMOSTAT

REV	DESCRIPTION	DATE	APPROVED
J	SEE ECN 4190	8/31/04	MCA
K	SEE ECN 5085	5/18/05	MCA
L	SEE ECN 08195	8/15/08	DCK
M	SEE ECN 14092	5/16/2014	BGC
N	SEE ECN 16165	7/26/2016	SRL
P	ECN 16180	1/11/2017	DEW



QTY REQD PER ASSY	FSCM NO.	PART NO.	DESCRIPTION	MATERIAL / SPECIFICATION	ITEM NO.
3	3	115108	TERMINAL, #10 RING, 18-22 GA		41
5	5	611045	CLAMP, 3/8" ID		40
5	5	611026	CLAMP, 3/4" ID		39
1	1	110050-15	FUSE, MINI, 15A		38
1	1	115042	TERMINAL, MALE, 18-22 GA		37
1	1	115036	TERMINAL, MALE, 10-12 GA		36
1	1	115035	TERMINAL, FEM, 10-12 GA		35
8	8	619125	SCREW, PAN HD, #6 X 5/8, SELF DRILL		34
4	4	115004	TERMINAL, 5/16 RING, 8 GA		33
1	1	115013	TERMINAL, 5/16 RING, 10-12 GA		32
-	1	115041	TERMINAL, MALE, 14-16 GA		31
1	-	701006	SWITCH ASSEMBLY, HI-LO-OFF		30
4	4	115029	TERMINAL, FEM, 18-22 GA		29
30ft	30ft	116050	WIRE, GREEN 10 GA		28
-	5ft	116023	WIRE, PURPLE 14 GA		27
2ft	2ft	119001	LOOM, 5/8"		26
.5ft	1.5ft	116062	WIRE, PINK 18 GA		25
8ft	8ft	116040	WIRE, RED 8 GA		24
20ft	20ft	116012	WIRE, YELLOW 10 GA		23
-	4ft	116004	WIRE, GREEN 14 GA		22
20ft	20ft	116001	WIRE, RED 10 GA		21
-	5ft	119005	LOOM, 3/8"		20
20ft	20ft	119002	LOOM, 1/2"		19
2	3	115031	TERMINAL, FEM, 14-16 GA		18
5	5	115021	TERMINAL, .25 RING, 10-12 GA		17
8	8	115016	TERMINAL, #10 RING, 10-12 GA		16
8	8	115003	TERMINAL, #10 RING, 8 GA		15
3	4	115001	TERMINAL, #10 RING, 14-16 GA		14
4	4	619040	SCREW, #4 SELF TAPPING		13
14	14	619021	SCREW, #10 SELF TAPPING		12
-	1	113019	SWITCH, HI-LO-OFF		11
-	1	111058-40	SENSOR, TEMPERATURE		10
-	1	111057	THERMOSTAT, DIGITAL		9
1	2	110050-10	FUSE, MINI, 10A		8
1	2	110075	FUSE HOLDER, MINI, 16 GA		7
1	1	110076	FUSE HOLDER, MINI, 12 GA		6
-	1	701271	PLATE, SWITCH		5
2	2	701336-30	HARNESS, SEALED		4
1	1	701193-05	HARNESS, POWER DISTRIBUTION		3
4	4	701401	FUSE HOLDER ASSEMBLY, MIDI, BOLT-ON		2
1	1	701268	RELAY BOARD ASSY		1

UNLESS OTHERWISE SPECIFIED: DIMENSIONS ARE IN INCHES TOLERANCES ON DECIMALS  
2PL ± 3PL ± ANGLE ±

INTERPRET DRAWING PER DOD-STD-100 REMOVE BURRS AND SHARP EDGES DO NOT SCALE DRAWING

MATERIAL:

DATE 11/23/99  
DRAWN BY DEW  
CHECKER MCA 1/30/17  
DRAWING APPROVAL JmH  
DESIGN APPROVAL

TRANS/AIR MFG CORP  
ELECTRICAL INSTALLATION, TA-17, CONVENTIONAL, 24V

SIZE D CODE DWG NO. 503621 REV P  
SCALE NTS SHEET 1 OF 3

D

C

B

A

D

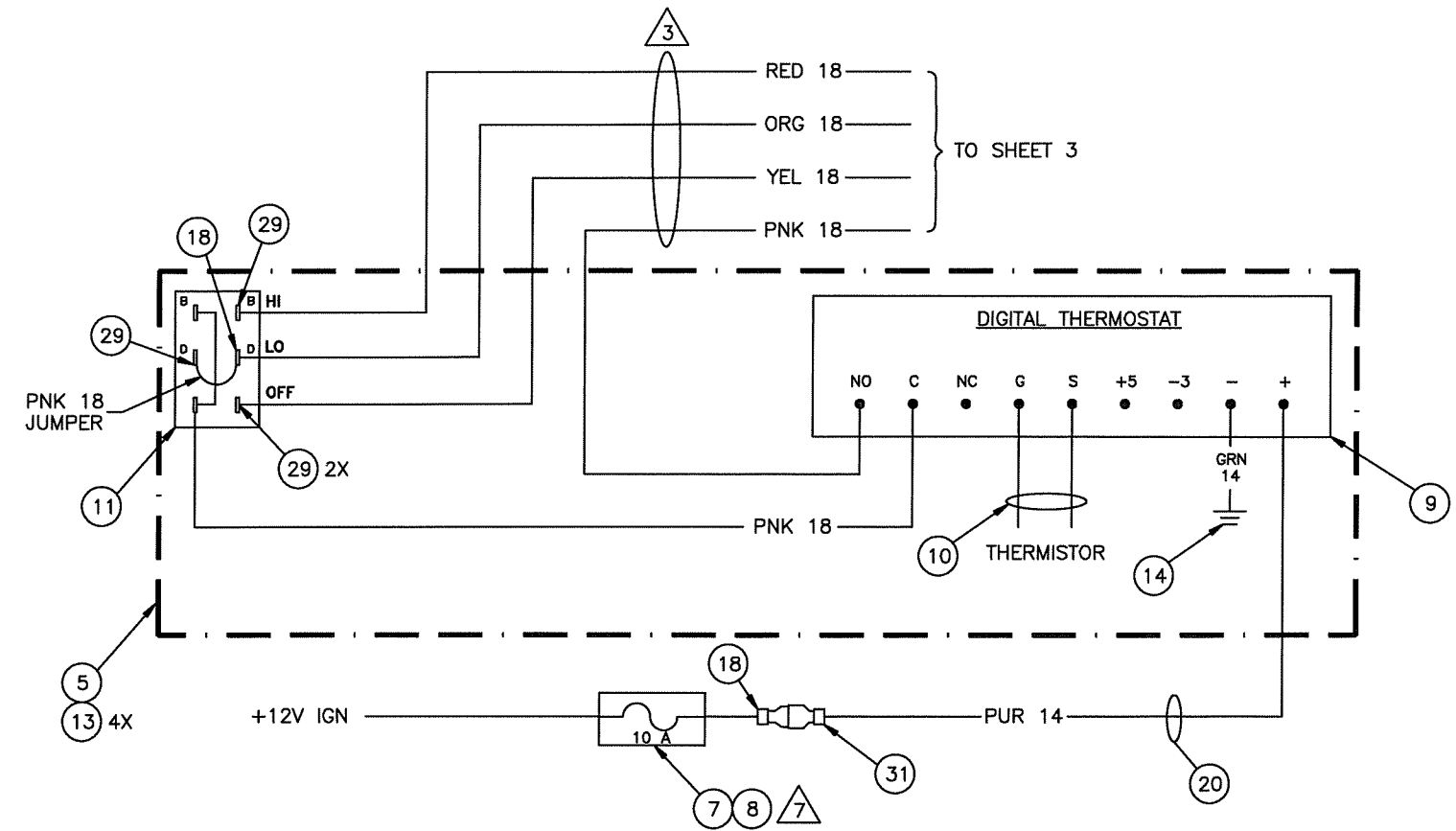
C

B

A

NOTE: THERMOSTAT AND SWITCHES SHOWN FROM REAR

-01 ONLY



-02 ONLY

