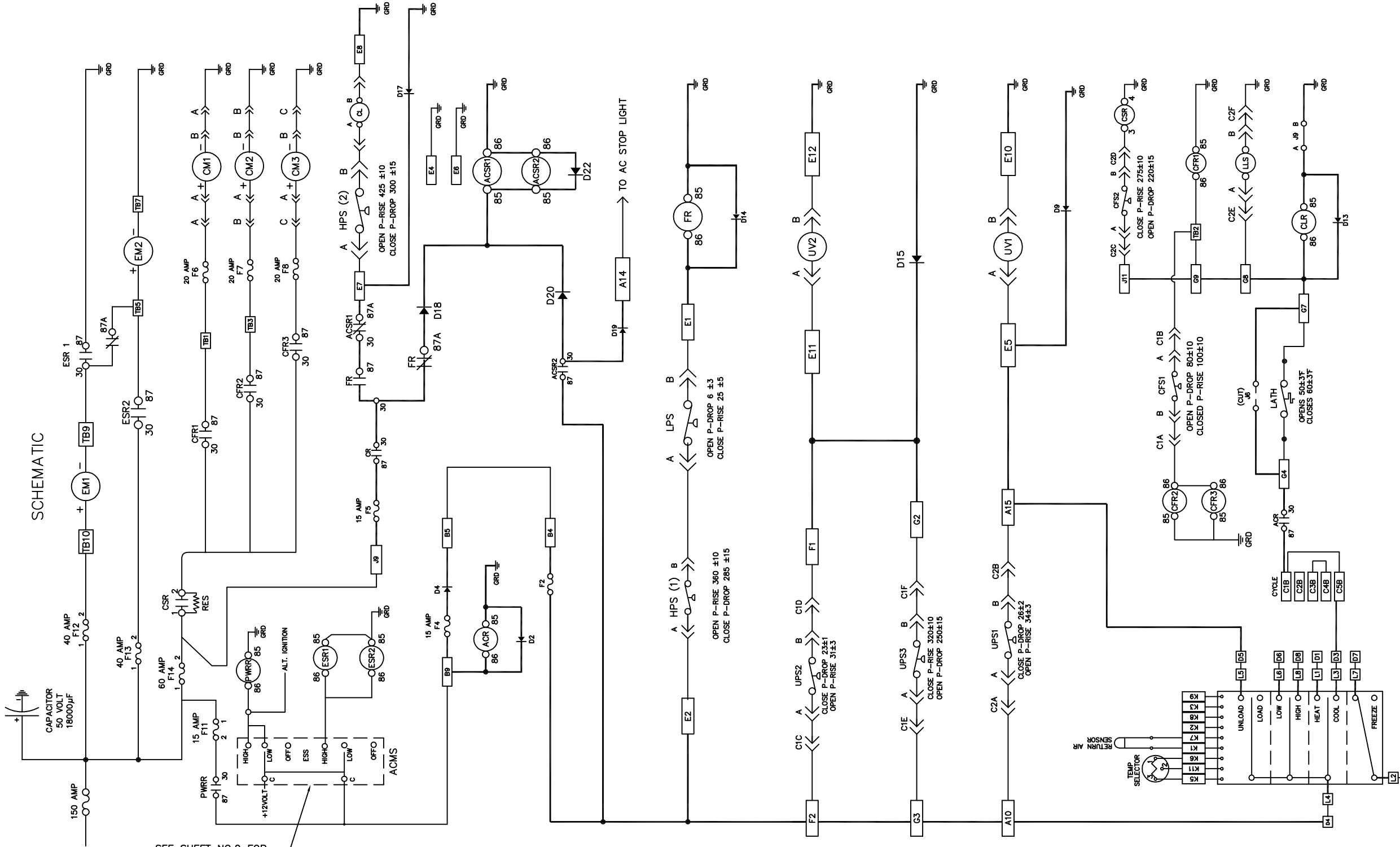


SCHEMATIC



SYMBOL	DESCRIPTION
ACMS	A/C MODE SWITCH
ACR	A/C RELAY
ACSR1	A/C STOP RELAY #1 (TIME DELAYED)
ACSR2	A/C STOP RELAY #2 (TIME DELAYED)
CFR1-CFR3	CONDENSER FAN RELAY
CFS1-CFS2	CONDENSER FAN SPEED SWITCH
CL	CLUTCH
CF1-CF5	CONDENSER FAN MOTORS
CLR	CLUTCH RELAY
CSR	CONDENSER SPEED RELAY
D1-D30	DIODES
DA2-DR2	DEUTSCH CONNECTOR 2 (EVAP)
DA1-DR1	DEUTSCH CONNECTOR 1 (COND)
EM1	EVAPORATOR FAN MOTOR #1
EM2	EVAPORATOR FAN MOTOR #2
ESR1-ESR2	EVAPORATOR SPEED RELAY
FR	FAULT RELAY
F2-F5, F9-11&F15	FUSE, 15 AMP
F6, F7 & F8	FUSE, 20 AMP
F12-F13	FUSE 40A
F14	FUSE 60A
HPS	HIGH PRESSURE SWITCH
LATH	LOW AMBIENT THERMOSTAT
LPS	LOW PRESSURE SWITCH
LLS	LIQUID LINE SOLENOID
TB1,3,5	TERMINAL STRIP POSITIONS
UPS1	UNLOADER PRESSURE SWITCH #1
UPS2	UNLOADER PRESSURE SWITCH #2
UPS3	UNLOADER PRESSURE SWITCH #3
UV1	UNLOADER VALVE #1
UV2	UNLOADER VALVE #2

SEE SHEET NO.2 FOR ALTERNATE 'ACMS' CONFIGURATIONS

SCHEMATIC NO. Y66-00055, ELECTRICAL PANEL 91-62011-06
COOL ONLY, R-134A, P/M CONDENSER & P/M EVAPORATOR MOTORS

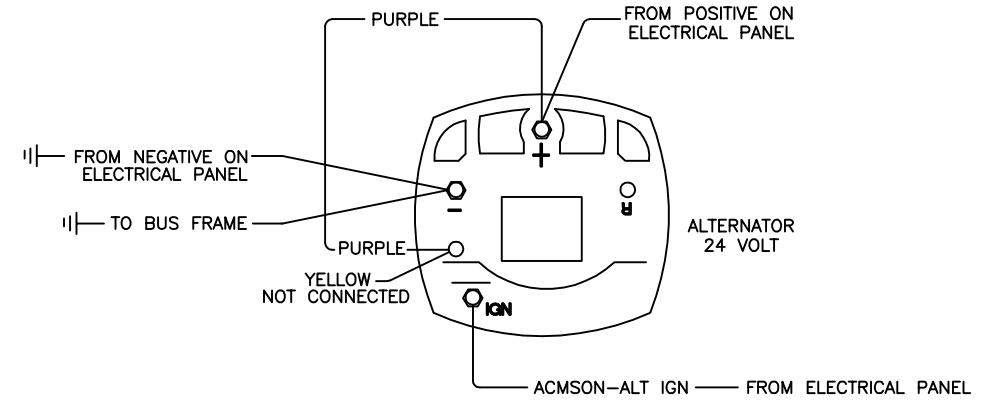
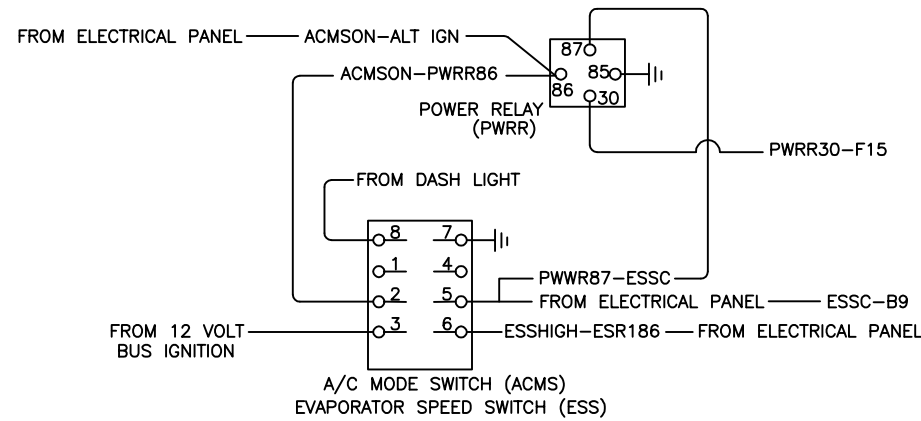
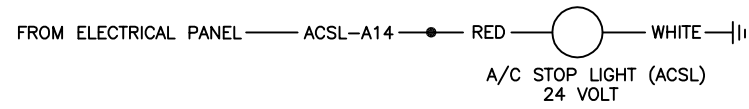
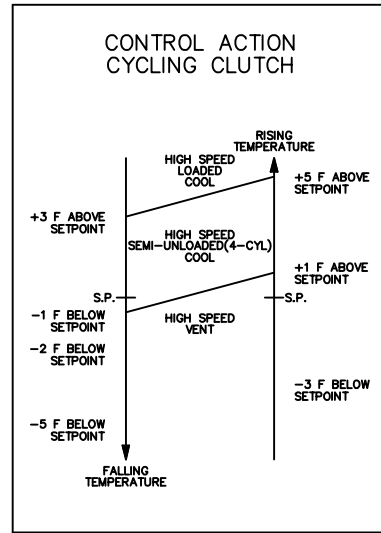
- NOTES
- UNIT SHOWN IS IN THE OFF POSITION.
 - RELAY CONTACTS SHOWN ARE IN THEIR NORMAL UNENERGIZED POSITION.
 - ADDRESS SYSTEM: EXAMPLE, CB6-CR30 INDICATES A WIRE BETWEEN CIRCUIT BREAKER #6 AND CLUTCH RELAY TERMINAL #30.
 - WIRE IDENTIFICATION SYSTEM:
COLORS: WHITE - DC CONTROL CIRCUIT
GREEN - GROUND
YELLOW - OPTIONAL CIRCUITS

SYM	REVISION RECORD	DATE	BY	ENGR.	M.E.	NPCA NO.
1	INITIAL RELEASE	9/22/14	KMS/TDL	KMS	-	ECN-8696

CAD SYSTEM: AutoCAD	IMPERIAL INCH FORMAT: UNLESS OTHERWISE SPECIFIED DIMENSIONS ARE IN INCHES, WITH METRIC CONVERSIONS IN [MILLIMETERS].	MOBILE CLIMATE CONTROL 3189 Farmtrail Rd York, Pennsylvania 17406 USA		
THIRD ANGLE PROJECTION 	UNLESS OTHERWISE SPECIFIED TOLERANCES ON: .00 DEC .000 DEC DEC ANG ± .04 ± .020 ± ± 2' [.0] DEC [.00] DEC DEC ±[1.0] ±[.50] ± []			
MATERIAL -	SURFACES ✓ AA	HOLE DIA. ± .005 ± [.13]	HOLE SPACING ± .015 ± [.38] NON-CUMULATIVE	HOLE LOC ± .03 ± [.8]
DIMENSIONS IN (PARENTHESIS) ARE FOR INFORMATION ONLY. TOLERANCES DO NOT APPLY.		TITLE SCHEMATIC EM-17/K430/05G COOL ONLY SYSTEM		
WEIGHT	MFG/PURCH PURCH	SIZE D	DRAWING NO. Y66-00055	REV 1
		NEXT DRAWING 91-62011	SCALE FULL	COMMODITY CODE

DWG NO Y66-00055 REV 1

CONTROL ACTION DIAGRAM



- INDICATES RELAY BOARD TRACE
- - - INDICATES OPTIONAL R.B. TRACE
- AI INDICATES PLUG LOCATION ON RELAY BOARD
- ⏏ INDICATES A WIRE GROUND
- - - INDICATES BUS WIRING
- INDICATES STANDARD OPTIONS
- ⊙ INDICATES A TERMINAL CONNECTION
- ◁ INDICATES A CONNECTOR (WEATHER PACK)
- ⏏ INDICATES A NORMALLY OPEN CONTACT
- ⏏ INDICATES A NORMALLY CLOSED CONTACT
- ▭ INDICATES TERMINAL STRIP

DIAGRAM SUPPLEMENT FOR SCHEMATIC Y66-00055
ELECTRICAL PANEL 91-62011-06 -COOL ONLY, R134A, P/M COND, P/M EVAP

1	INITIAL RELEASE	9/22/14	TDL/KMS	KMS	-	ECN-8696
SYM	REVISION RECORD	DATE	BY	ENGR.	M.E.	NPCA NO.

CAD SYSTEM: AutoCAD	IMPERIAL INCH FORMAT: UNLESS OTHERWISE SPECIFIED DIMENSIONS ARE IN INCHES, WITH METRIC CONVERSIONS IN [MILLIMETERS].	MOBILE CLIMATE CONTROL 3189 Farmtrail Rd York, Pennsylvania 17406 USA			
THIRD ANGLE PROJECTION 	UNLESS OTHERWISE SPECIFIED TOLERANCES ON: .00 DEC .000 DEC DEC ANG ± .04 ± .020 ± ± 2' [.0] DEC [.00] DEC DEC ±[1.0] ±[.50] ± []				
MATERIAL - -	SURFACES ✓ AA	HOLE DIA ± .005 ±[.13]	HOLE SPACING ± .015 ±[.38] NON-CUMULATIVE	HOLE LOC ± .03 ±[.8]	THIS DOCUMENT AND THE INFORMATION CONTAINED THEREIN IS PROPRIETARY TO MOBILE CLIMATE CONTROL AND SHALL NOT BE USED OR DISCLOSED TO OTHERS, IN WHOLE OR IN PART, WITHOUT THE WRITTEN AUTHORIZATION OF MOBILE CLIMATE CONTROL. TITLE SCHEMATIC EM-17/K430/05G COOL ONLY SYSTEM
DIMENSIONS IN (PARENTHESIS) ARE FOR INFORMATION ONLY. TOLERANCES DO NOT APPLY.		SIZE D	DRAWING NO. Y66-00055	REV 1	NEXT DRAWING 91-62011
WEIGHT _____ MFG/PURCH _____ MFG		SCALE FULL		COMMODITY CODE	