

Bill of Materials Listing

TransArctic Canada Inc.

2/25/2006

Page 1 of 1

Product Number		Description	Bin	Date	Weight	Uof M	Yield
Line	Component Prod#	Description		Unit	Qty		
KMK72681		Mt Kit, C7, MVP-EF, 2 TM-21, '06		2/2/2006	26.08		0
10	BEL82705	Belt, 8gr, 2705mm (106.5") (5081065)		each	1		
20	BMK70064	Bkt, Main, Weldmt, Inner, Plate		each	1		
30	BMK70065	Bkt, Main, Weldmt, Outer, Plate		each	1		
40	BMK70067	Bkt, Brace, Plate		each	1		
50	BMK70068	Bkt, Rad Tube, Brace, Plate, 1/8"		each	1		
60	PUL80076	Pulley, Idler, Backside, P8, 76d (89062)		each	1		
70	SCD12710	Spacer, Col, Drl, 12.7mm x 25.4o x 10.32i		each	1		
80	SLV17010	Sleeve, Pulley, 16.9o x 22.23mm x 10.32i		each	1		
90	TUS02110	Tube, Stl, Exh, 2"o.d., 110 deg, 7x10.5x7x5		each	1		
100	CLP36001	Clamp, Gear, #36, 1 13/16-2 3/4 (46/70mm)		each	2		
105	CLP20028	Clamp, "P" type, #28, 1/2"w, 1 3/4", PC		each	1		
110	HOR03800	Hose, Heater, 3/8" ID, (250' - 80235GL)		feet	3		
120	KBK72681	Bag Kit, Fasteners, KMK72681/2081		each	1		

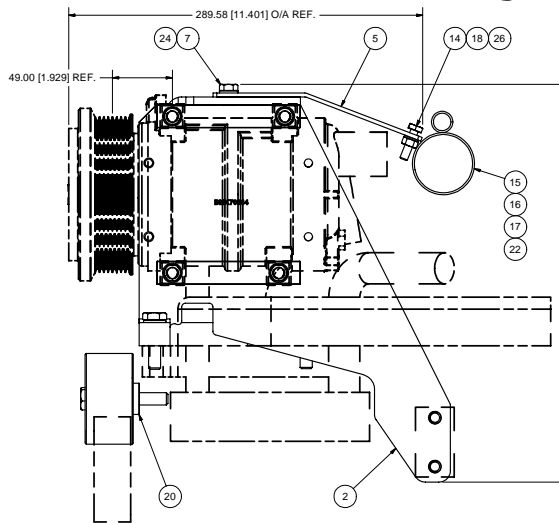
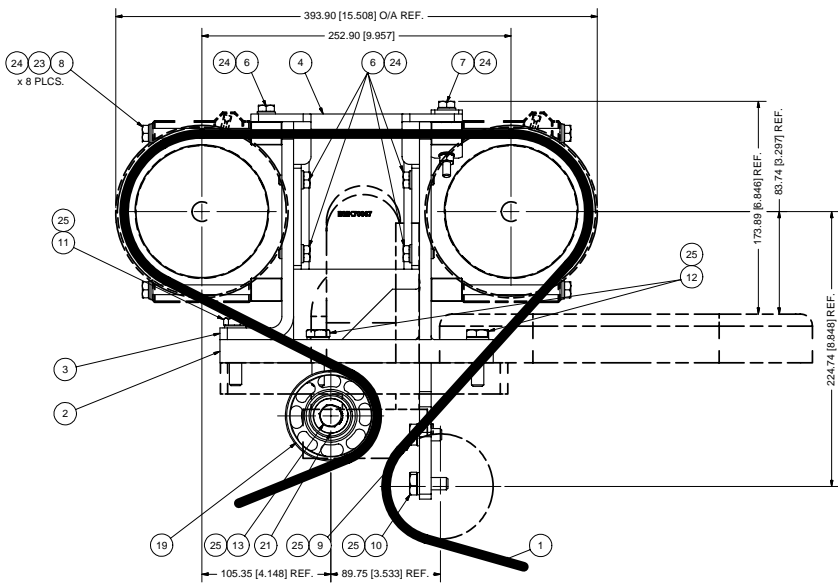
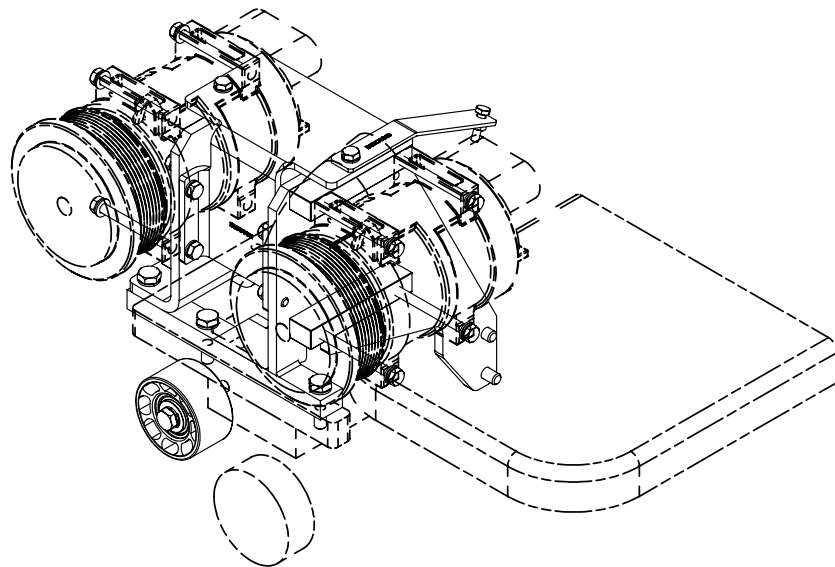
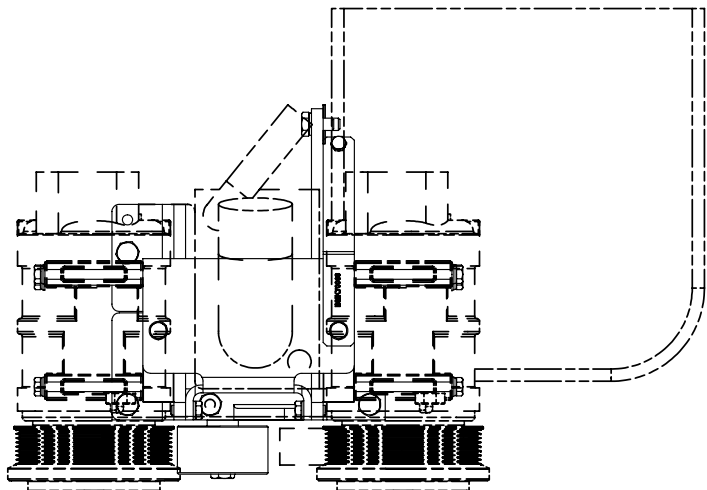
Bill of Materials Listing

2/25/2006

TransArctic Canada Inc.

Page 1 of 1

Product Number		Description	Bin	Date	Weight	Uof M	Yield
Line	Component Prod#	Description		Unit	Qty		
KBK72681		Bag Kit, Fasteners, KMK72681/2081		2/2/2006	1.50		0
5	BTC10065	Bolt, Hex, 10 x 1.5 x 65mm, 10.9, Plt		each	1		
10	BTC10040	Bolt, Hex, 10 x 1.5 x 40mm, 10.9, Plt		each	2		
20	BTC10030	Bolt, Hex, 10 x 1.5 x 30mm, 10.9, Plt		each	2		
30	BTC10025	Bolt, Hex, 10 x 1.5 x 25mm, 10.9, Plt		each	1		
40	BTC10020	Bolt, Hex, 10 x 1.5 x 20mm, 10.9, Plt		each	1		
50	BTC08100	Bolt, Hex, 8 x 1.25 x 100mm, 10.9, Plt		each	8		
60	BTC08025	Bolt, Hex, 8 x 1.25 x 25mm, 10.9, Plt		each	1		
70	BTC08020	Bolt, Hex, 8 x 1.25 x 20mm, 10.9, Plt		each	5		
80	BTS04100	Bolt, Hex, Flg, Ser, 1/4-20, 1", 8.2,Plt		each	1		
90	NTP04000	Nut, Hex, 1/4-20unc, 5, Plt		each	1		
100	WFA08000	Washer, Flat, 8mm, 8.8, Plt		each	8		
110	WLA10000	Washer, Lock, 10mm, 8.8, Plt		each	7		
120	WLA08000	Washer, Lock, 8mm, 8.8, Plt		each	14		
130	WLP04000	Washer, Lock, 1/4", 5, Plt		each	1		



NOTES:

- 1) USE SERVICABLE THREADLOCKER ON ALL FASTENERS TO ENGINE COMPONENTS AND TORQUE **ALL BOLTS** TO S.A.E. SPECIFICATIONS.
- 2) SEE "TRANSARCTIC A/C COMPRESSOR MOUNT INSTALLATION DISCLAIMER".

ITEM	QTY	U/M	PART NUMBER	DESCRIPTION
26	1	EACH	WLP04000	WASHER, LOCK 1/4", 5, PLT
25	7	EACH	WLA10000	WASHER, LOCK, 10mm, 8.8, PLT
24	14	EACH	WLA08000	WASHER, LOCK, 8mm, 8.8, PLT
23	8	EACH	WFA08000	WASHER, FLAT, 8mm, 8.8, PLT
22	1	EACH	TUS02110	TUBE, STL, EXH. 2" O.D., 110DEG. 7x10.5x7x5
21	1	EACH	SLV17010	SLEEVE, PULLEY, 16.90 x 22.23mm x 10.32
20	1	EACH	SCD12710	SPACER, COL. DRL. 12.7mm x 25.40 x 10.32
19	1	EACH	PUL00076	PULLEY, IDLER, BACKSIDE, P8, 76D, 39W
18	1	EACH	NTF04000	NUT, HEX, 1/4-20UNC, 5, PLT
17	1	FEET	HOR03800	HOSE, HEATER, 3/8" ID, (250" - 80235GL)
16	1	EACH	CLP38001	CLAMP, GEAR, #36, 1 13/16-2 3/4 (46-70mm)
15	1	EACH	CLP20028	CLAMP, "P" TYPE, #28, 1/2"w, 1.3/4", PC
14	1	EACH	BTS04100	BOLT, HEX, FLG. SER, 1/4-20, 1", 8.2 PLT
13	1	EACH	BTC10065	BOLT, HEX, 10 x 1.5 x 65mm, 10.9, PLT
12	2	EACH	BTC10040	BOLT, HEX, 10 x 1.5 x 40mm, 10.9, PLT
11	2	EACH	BTC10030	BOLT, HEX, 10 x 1.5 x 30mm, 10.9, PLT
10	1	EACH	BTC10025	BOLT, HEX, 10 x 1.5 x 25mm, 10.9, PLT
9	1	EACH	BTC10020	BOLT, HEX, 10 x 1.5 x 20mm, 10.9, PLT
8	8	EACH	BTC08100	BOLT, HEX, 8 x 1.25 x 100mm, 10.9, PLT
7	1	EACH	BTC08025	BOLT, HEX, 8 x 1.25 x 25mm, 10.9, PLT
6	5	EACH	BTC08020	BOLT, HEX, 8 x 1.25 x 20mm, 10.9, PLT
5	1	EACH	BMK70068	BKT, RAD TUBE, BRACE, PLATE, 1/8"
4	1	EACH	BMK70067	BKT, BRACE, PLATE
3	1	EACH	BMK70065	BKT, MAIN, WELDMT, OUTER, PLATE
2	1	EACH	BMK70064	BKT, MAIN, WELDMT, INNER, PLATE
1	1	EACH	BEL22705	BELT, Bgr, 2705mm (106.5") (5081065)

BILL OF MATERIALS

DRAWN	ujakowlew	1/30/2006
CHECKED	Ron Ingram	1/30/2006

TRANSARCTIC INC.

RELEASED TO PRODUCTION	1/30/2006	VAL/JA
REVISION	DESCRIPTION	DATE
	BY: James Stewart	1/30/2006
	BY: Val Jakowlew	1/30/2006
	APPROVED	DATE
	DATE: 1/30/2006	

MT KIT, C7, MVP-EF, 2 TM-21, '06

UNSPECIFIED TOLERANCES:	MM (INCH)
ONE DECIMAL PLACE (X.0) (X.5)	.25 (.010)
TWO DECIMAL PLACE (X.00) (X.05)	.125 (.005)
THREE DECIMAL PLACE (X.000) (X.005)	.0625 (.0025)
FRACTIONAL (1/32)	.03125 (.00125)

SIZE	DWG NO	REV
D	KMK72681	0
SCALE	1:1	SHEET 1 OF 1

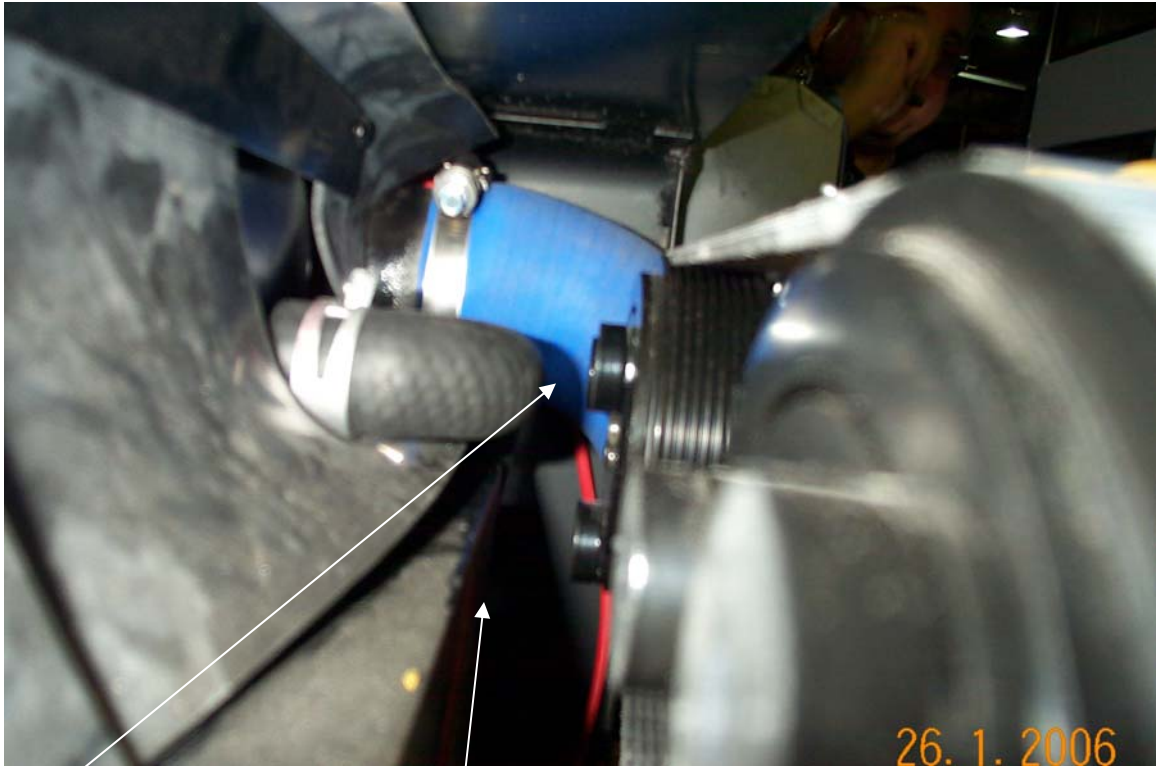
THIRD ANGLE PROJECTION



Turbo Tube may need to be rotated away to make room for P/S compressor.



Trim Overflow Hose approx. 3/8" so it clears compressor pulleys. See next picture.



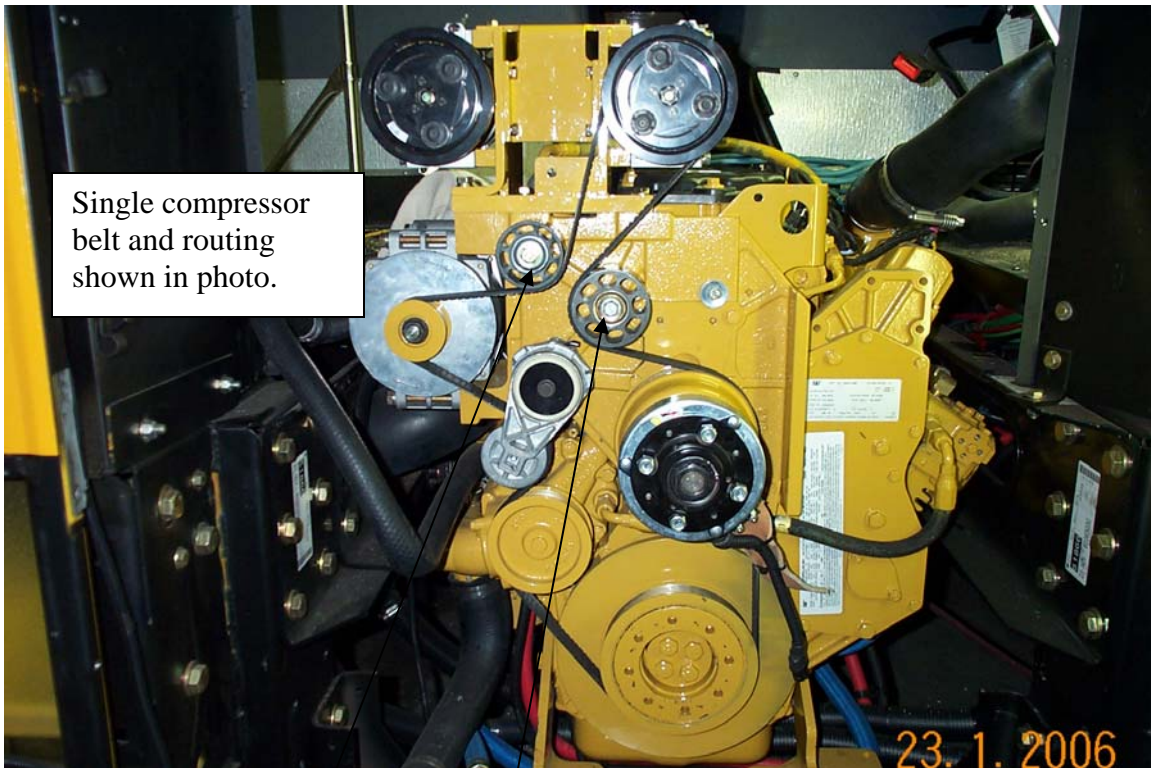
Need minimum 1/2" clearance. Secure vertical part of Overflow Hose against Radiator



Cut hose here.

Re-Use at Engine

Re-Use at Rad



Install PUL80076 here

Note that OEM pulley is moved to here.



Secure Metal Rad Tube with BMK70068 and secure all other hoses & wires.

TransArctic A/C Compressor Mount Installation Disclaimer

All compressor mounts should be installed by qualified and trained personnel using proper tools and equipment in safe working conditions following industry standard guidelines for motor vehicle service and repair.

The installer of any compressor mount purchased from TransArctic must undertake all responsibility of issues arising from that compressor bracket being installed on any vehicle. Mount functionality, operation and durability can all be compromised by an incompetent installation.

Due to the many different situations, parameters and application criteria, which are beyond the compressor mount manufacturer's control, TransArctic does not warrant design, durability, or operational functionality of any compressor mount improperly installed by another party.

With no implied guarantees it is the mount installer's strict responsibility to determine safety and functionality, of the compressor mount, at the time of installation.

Please contact TransArctic with any issue arising from installation so we may better improve the product. If you have any reservations about the compressor mount integrity contact TransArctic immediately at 1-877-COLD-AIR.