

Bill of Materials Listing

TransArctic Canada Inc.

3/21/2014
Page 1 of 1

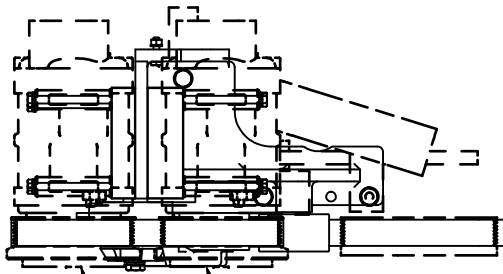
Product Number	Description	Date	Weight	Uof M	Yield
Line Component Prod#	Description	Bin Unit	Qty		
KMK72662	Mt Kit, C7, A3RE, 2 TM-21, P8, '07		09/13/07	32.49	0
10	BEL81740		Belt, 8gr, 1740mm (68.5") (5080685)	each	1
20	BMK70069		Bkt, Main, Weldmt, C7, Vision, 07	each	1
35	HOR70683		Hose, Rad, 2" ID, Curved (70683)	each	1
37	CLP00040		Clamp, "P" type, #40, 3/4"w, 2 1/2", PC	each	1
40	PUL80076		Pulley, Idler, Backside, P8, 76d (89101)	each	1
50	TEN80002		Tenr, HD Spring, BackSide, CCW (89200A)	each	1
60	KBK72662		Bag Kit, Fasteners, KMK72662 / KMK72062	each	1

Bill of Materials Listing

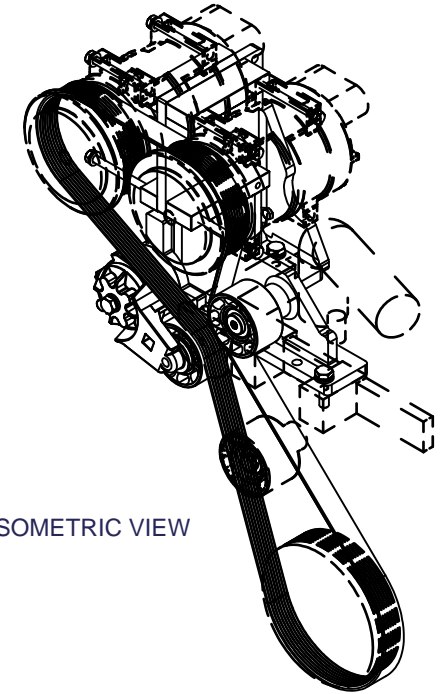
TransArctic Canada Inc.

3/21/2014
Page 1 of 1

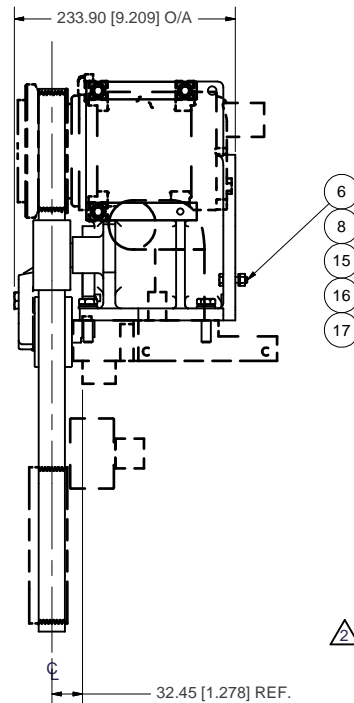
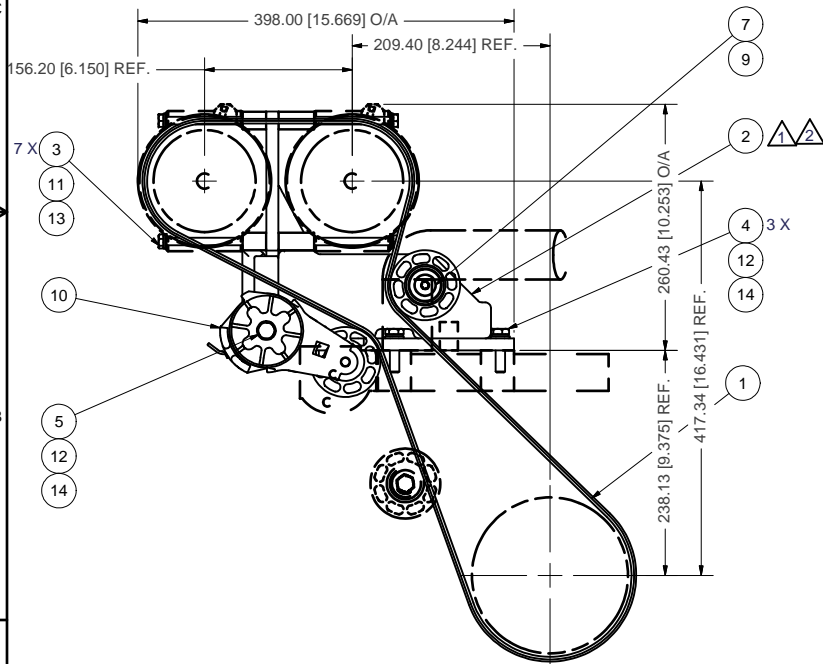
Product Number	Description	Date	Weight	Uof M	Yield
Line Component Prod#	Description	Bin Unit	Qty		
KBK72662	Bag Kit, Fasteners, KMK72662 / KMK72062	08/07/07	1.16		0
20	BTC08100	Bolt, Hex, 8 x 1.25 x 100mm, 10.9, Plt	each	7	
30	BTC10040	Bolt, Hex, 10 x 1.5 x 40mm, 10.9, Plt,FT	each	3	
40	BTC10080	Bolt, Hex, 10 x 1.5 x 80mm, 10.9, Plt,FT	each	1	
45	BTP04100	Bolt, Hex, 1/4-20unc, 1", 5, Plt	each	1	
50	BTS10001	Bolt, Shoulder, 10mm (89064)	each	1	
65	NTP04000	Nut, Hex, 1/4-20unc, 5, Plt	each	1	
70	WFA08000	Washer, Flat, 8mm, 8.8, Plt	each	7	
80	WFA10000	Washer, Flat, 10mm, 8.8, Plt	each	4	
90	WLA08000	Washer, Lock, 8mm, 8.8, Plt	each	7	
100	WLA10000	Washer, Lock, 10mm, 8.8, Plt	each	4	
110	WLP04000	Washer, Lock, 1/4", 5, Plt	each	1	



NOTE:
CARRIER COMPRESSOR
PART#: 76-62235-xx



ISOMETRIC VIEW



ITEM	QTY	U/M	PART NUMBER	DESCRIPTION
17	1	EACH	HOR70683	HOSE, RAD, 2"ID, CURVED (70683)
16	1	EACH	CLP00040	CLAMP, "P" TYPE, #40, 3/4"w x 2 1/2", PC
15	1	EACH	WLP04000	WASHER, LOCK, 1/4", 5, PLT
14	4	EACH	WLA10000	WASHER, LOCK, 10mm, 8.8, PLT
13	7	EACH	WLA08000	WASHER, LOCK, 8mm, 8.8, PLT
12	4	EACH	WFA10000	WASHER, FLAT, 10mm, 8.8, PLT
11	7	EACH	WFA08000	WASHER, FLAT, 8mm, 8.8, PLT
10	1	EACH	TEN80002	TENR, HD SPRING, BACKSIDE, CCW
9	1	EACH	PUL80076	PULLEY, IDLER, BACKSIDE, P8, 76D, 39W
8	1	EACH	NTP04000	NUT, HEX, 1/4-20UNC, 5, PLT
7	1	EACH	BTS10001	BOLT, SHOULDER, 10mm (IDLER PULLEY)
6	1	EACH	BTP04100	BOLT, HEX, 1/4-20UNC, 1", 5, PLT
5	1	EACH	BTC10080	BOLT, HEX, 10 x 1.5 x 80mm, 10.9, PLT, FT
4	3	EACH	BTC10040	BOLT, HEX, 10 x 1.5 x 40mm, 10.9, PLT
3	7	EACH	BTC08100	BOLT, HEX, 8 x 1.25 x 100mm, 10.9, PLT
2	1	EACH	BMK70069	BKT, MAIN, WELDMT, C7, VISION, 07
1	1	EACH	BEL81740	BELT, 8 GR, 1740mm (68.5") (5080685)

BILL OF MATERIALS

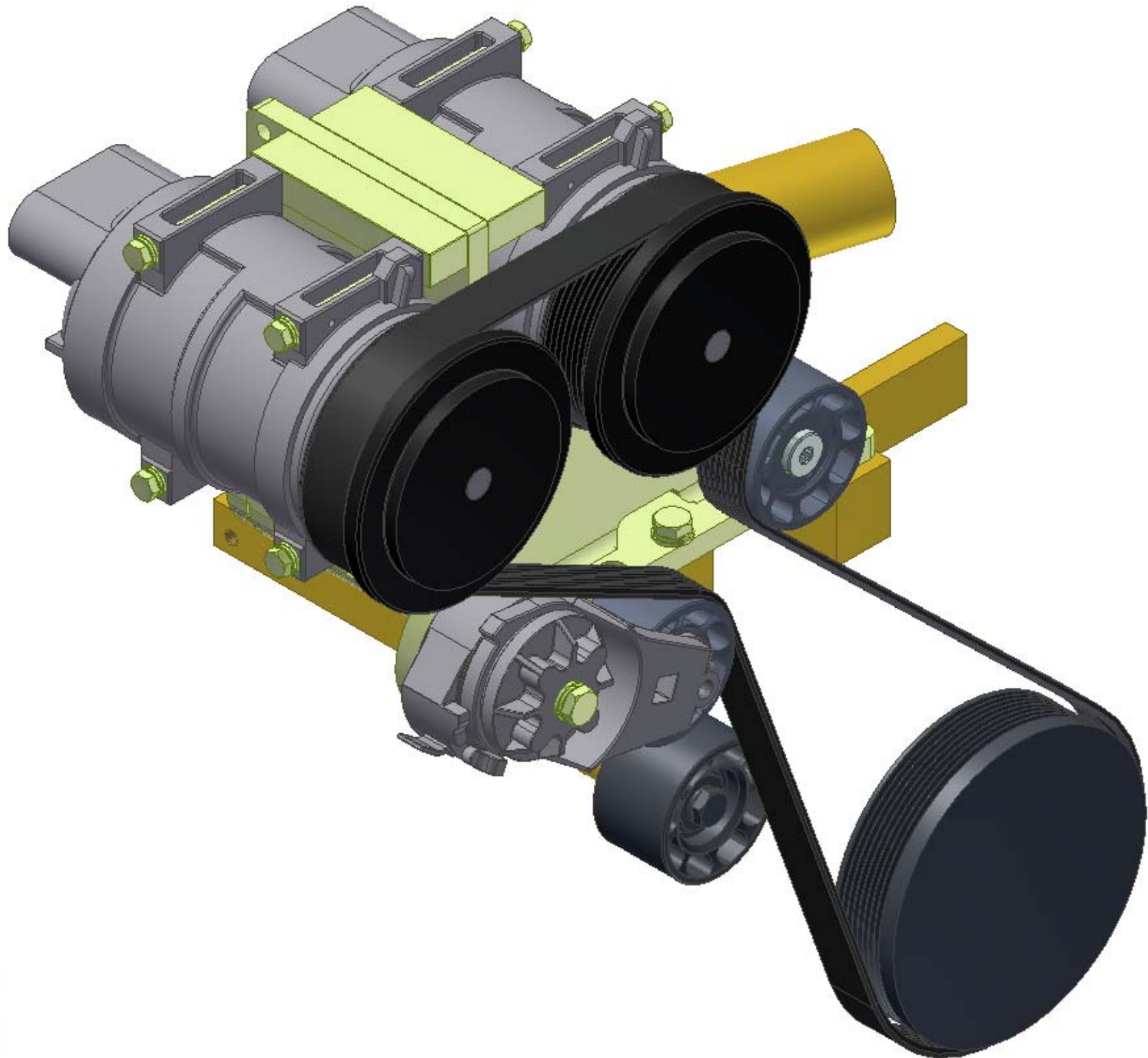
DRAWN	brundle	11/28/07
CHECKED	James Stewart	11/28/07
QA	Val Jakowlew	11/28/07
MFG	Ron Ingram	11/28/07
APPROVED	Dale Mason	11/28/07

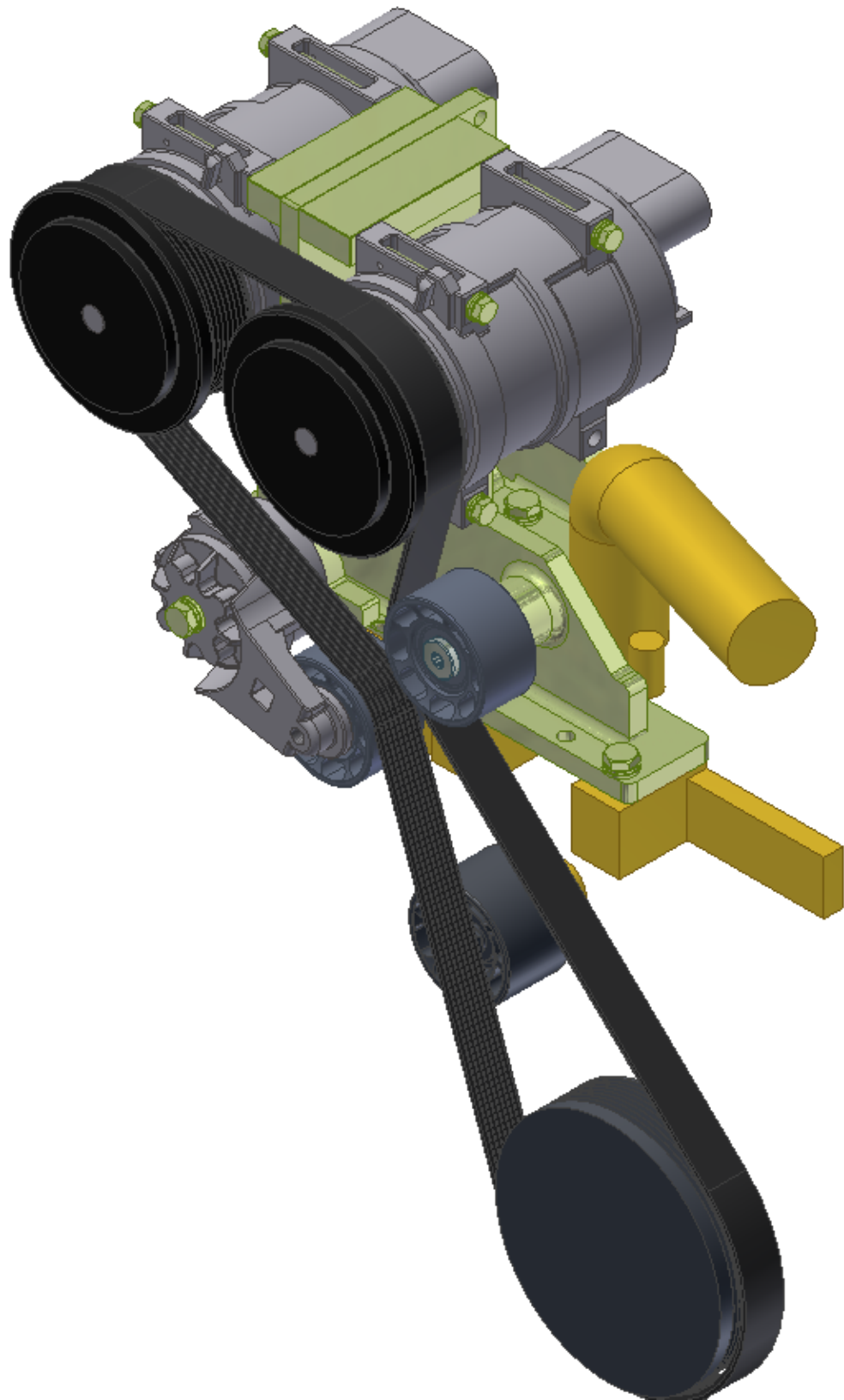
		TITLE	REV
		MT KIT, C7, BBRE, 2 TM-21, P8, '07	2
SIZE	DWG NO	REV	
C	KMK72662	2	
DRAWING UNIT OF MEASURE:	MM [INCH]	SCALE	1 : 4
SHEET	1	OF	1

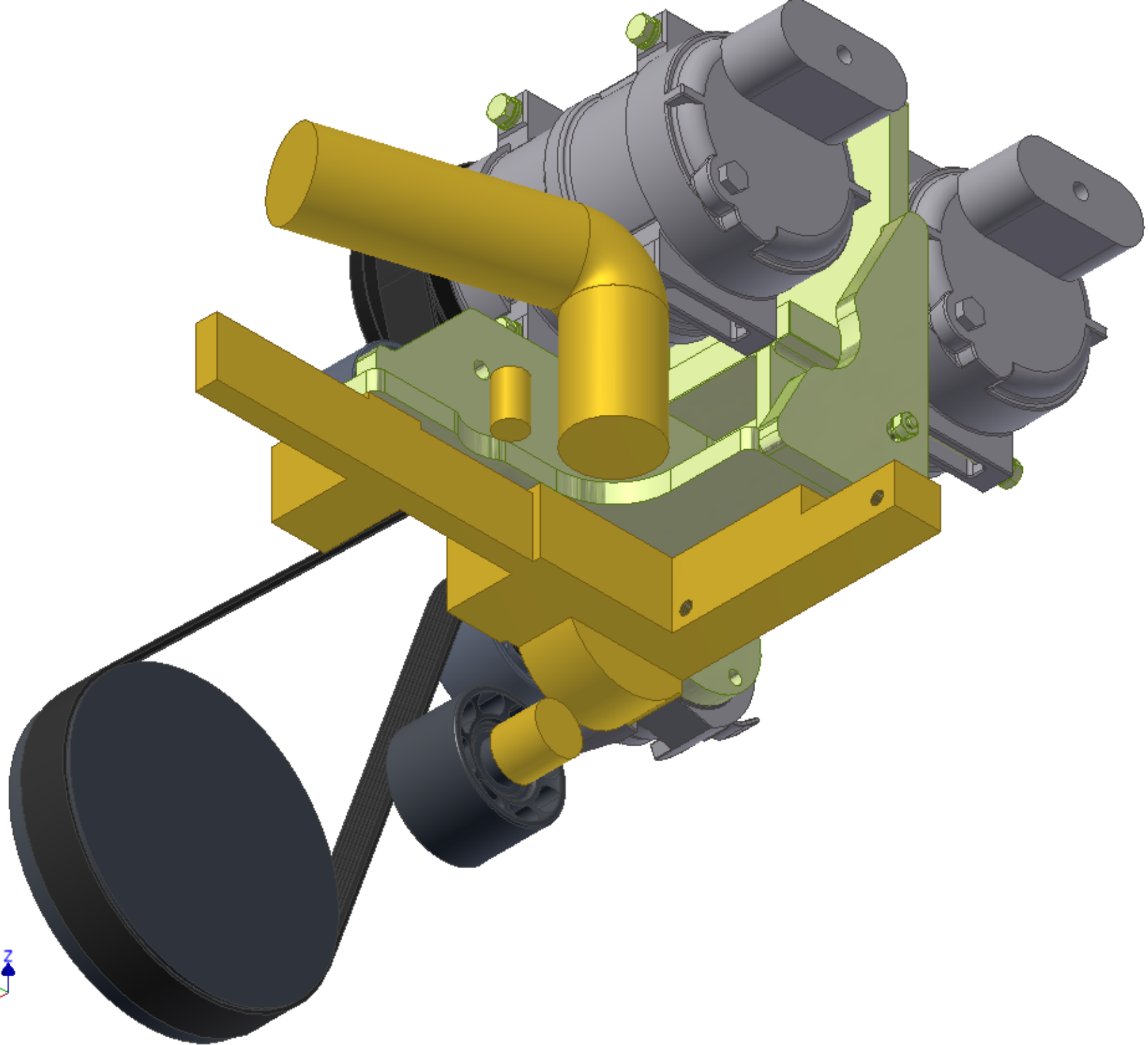
2	-	UPDATED BMK70069.	03/21/14	VALJ
1	-	P/N# BMK70069 BEEN MODIFIED.	12/5/2008	JRR
0	-	RELEASED TO PRODUCTION.	11/28/07	VALJ
REV/ECN:	DESCRIPTION:	DATE:	BY:	
THIS DRAWING CONTAINS PROPRIETARY CONFIDENTIAL INFORMATION OWNED BY TRANSARCTIC CANADA INC. THE DOCUMENT AND THE INFORMATION IN IT ARE NOT TO BE USED, DISCLOSED OR REPRODUCED WITHOUT EXPRESS WRITTEN PERMISSION OF THE COMPANY.				
UNSPECIFIED TOLERANCES: [ALT. DIM.] ONE DECIMAL PLACE (X) .50 [0.020] TWO DECIMAL PLACE (XX) .25 [0.010] THREE DECIMAL PLACE (XXX) .10 [0.005] FRACTIONAL +/- 1/32" ANGULAR +/- .50°				

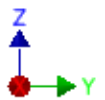
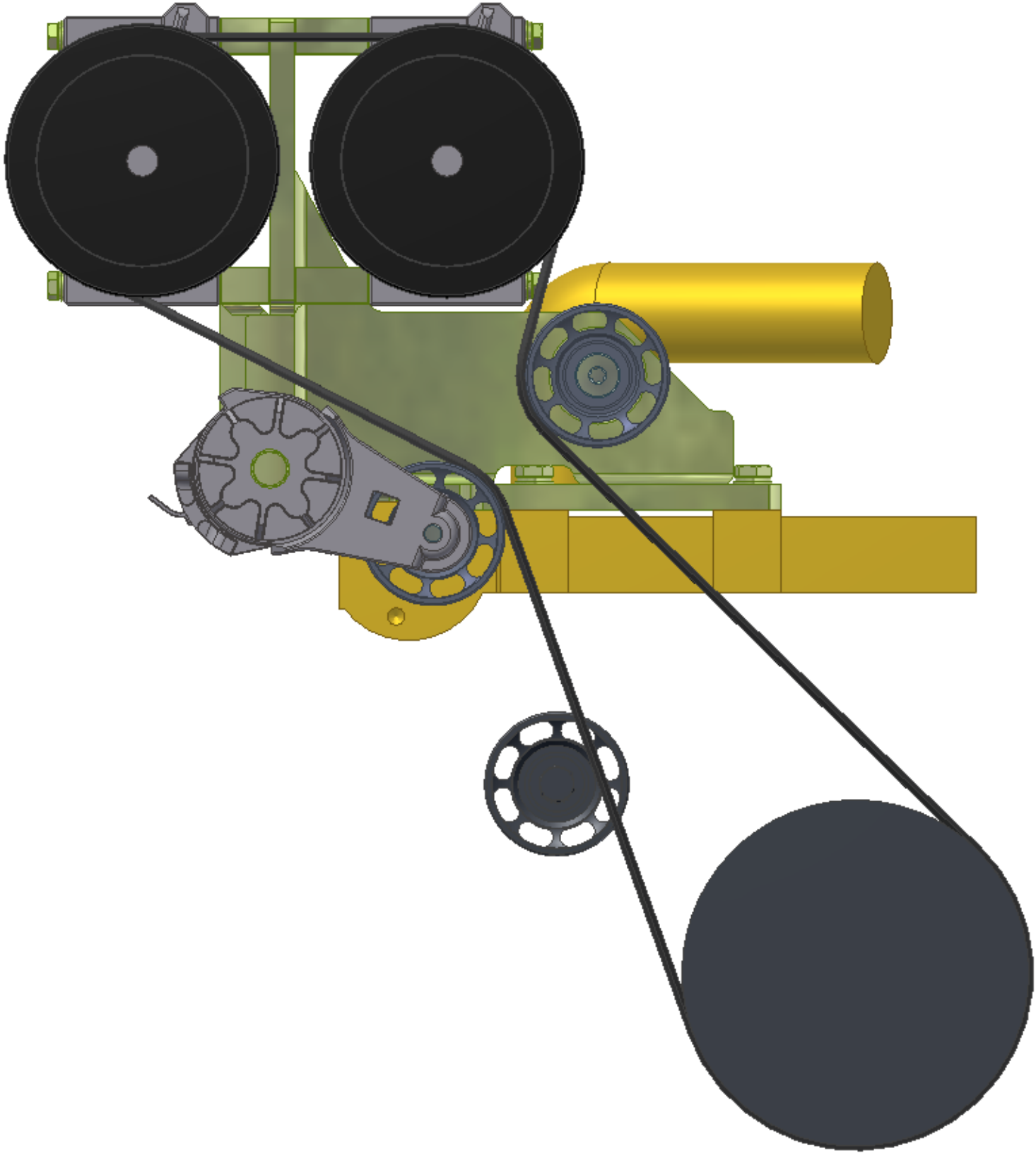
NOTES:

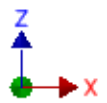
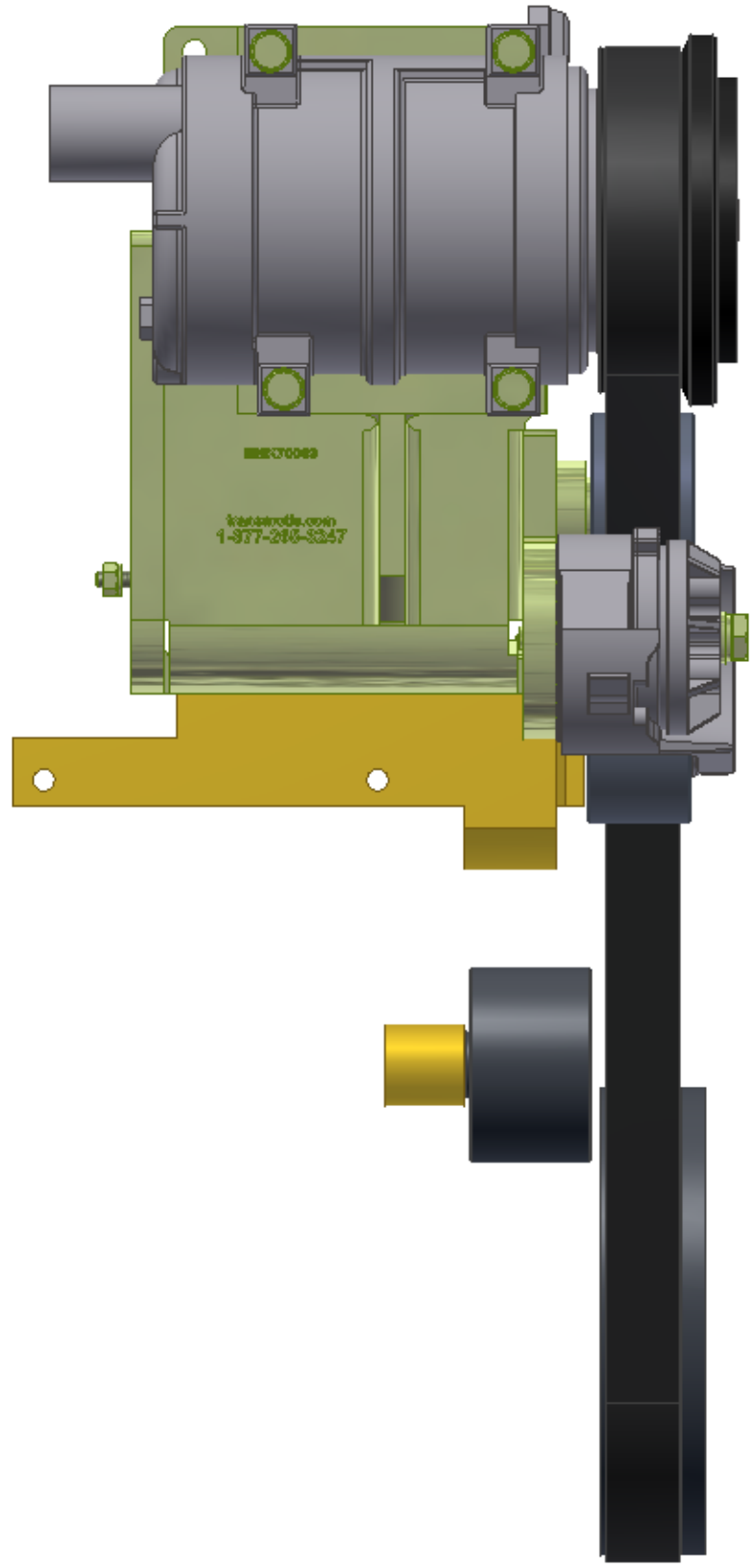
- 1) USE SERVICABLE THREADLOCKER ON ALL FASTENERS TO ENGINE COMPONENTS AND TORQUE **ALL** BOLTS TO S.A.E. SPECIFICATIONS.
- 2) SEE "TRANSARCTIC A/C COMPRESSOR MOUNT INSTALLATION DISCLAIMER".











TransArctic A/C Compressor Mount Installation Disclaimer

All compressor mounts should be installed by qualified and trained personnel using proper tools and equipment in safe working conditions following industry standard guidelines for motor vehicle service and repair.

The installer of any compressor mount purchased from TransArctic must undertake all responsibility of issues arising from that compressor bracket being installed on any vehicle. As well as insure that a **proper and sufficient ground** is established between the compressors' clutches and the vehicle's engine. Mount functionality, operation and durability can all be compromised by an incompetent installation.

Due to the many different situations, parameters and application criteria, which are beyond the compressor mount manufacturer's control, TransArctic does not warrant design, durability, or operational functionality of any compressor mount improperly installed by another party.

With no implied guarantees it is the mount installer's strict responsibility to determine safety and functionality, of the compressor mount, at the time of installation.

Please contact TransArctic with any issue arising from installation so we may better improve the product. If you have any reservations about the compressor mount integrity contact TransArctic immediately at 1-877-COLD-AIR.

Mark OEM tensioner location

Install Kit

Check for Interferences

Check to ensure that the proper OEM tensioner orientation is maintained

Run engine with A/C system engaged for at least 10 minutes to run in belt

Check OEM tensioner orientation and adjust as required

Responsabilidad limitada de TransArctic en la instalación del soporte del compresor

Todos los soportes de los compresores deben ser instalados por personas calificadas y entrenadas, usando para ello los equipos y herramientas necesarios para esta labor en buenas condiciones y según las normas y guías para el servicio y/o reparación de motores de vehículos.

El instalador de los soportes comprados en TransArctic asume toda la responsabilidad de cualquier problema que surja en el soporte del compresor al vehículo; de igual manera es responsable que el cable a tierra sea conectado entre el embrague del compresor y el motor del vehículo.

Se advierte que el buen funcionamiento y la durabilidad del soporte pueden ser comprometidos por defectos en su instalación.

Debido a las diversas situaciones que se puedan presentar fuera del control del fabricante, TransArctic no garantiza el diseño, la durabilidad o el correcto funcionamiento de cualquier equipo inapropiadamente instalado por terceros.

Esta sobreentendido que el Instalador del montaje del compresor es estrictamente responsable de la seguridad y funcionamiento del equipo en el momento de la instalación.

Si tuviera algún problema o duda acerca de la instalación del soporte del compresor pongase en contacto inmediatamente con TransArctic al teléfono 1-877-COLD-AIR de modo que podamos mejorar nuestro producto.

Note la ubicación del medidor de tensión OEM

Instale el equipo

Controlar si hay interferencias.

Asegurese que el medidor de tensión mantenga la orientación justa.

Encienda el motor por lo menos 10 minutos con el sistema A/C enganchado para que la correa corra

Controle la orientación justa del medidor de tensión y ajuste a las condiciones requeridas del fabricante